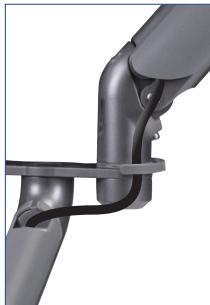




**7765AS Tempo™  
Dual Hub Monitor Support**



Cable Management



Weight Gauge



Base

## Tempo™ Dual Hub Monitor Arm

The ideal arm for two monitors. They can independently move for improved ergonomic viewing and comfort. Designed with elegant styling, smooth operation, unmatched performance and rugged reliability the Tempo™ will meet the demands of today's modern office.

### 7765 Dual Hub series

#### Features & Benefits

Comes with clamp and grommet mount, ideal for all desk mounting configurations and minimizing SKU's

Adjustable counterbalance gas cylinder provides 14 ½" of height adjustment with smooth fingertip control  
- Weight capacity of 5 lbs. to 20 lbs. per screen (10 lbs. to 40 lbs. total)

Weight gauge allows quick and easy counterbalance adjustment when installing the screens. Saves time and guesswork especially for multiple arm installations

Holds two monitors with a maximum overall width of 23" (each) at comfortable viewing angles

Double extension arms provide a maximum of 22" extension from the rear edge of the desk to the VESA Plate for optimal focal depth adjustment

Arms fold back to a minimum dimension of 5 1/2" to provide maximum work surface utilization on benching systems

VESA Plate rotates 360° for portrait or landscape viewing with 180° side to side rotation and -90° to +45° tilt for optimal viewing adjustment

Screens can be positioned all the way down to the work surface, ideal for users of bifocal glasses

Monitor mounting bracket, with Quick Connect adaptor, contains both 75mm & 100mm hole patterns to match most screen types and is compliant with VESA mounting standards

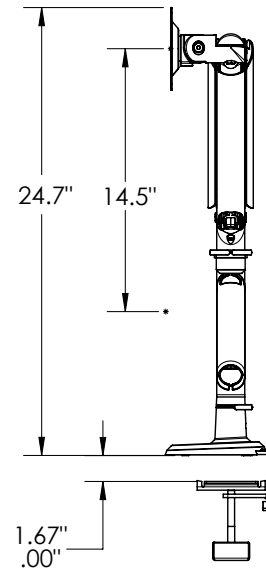
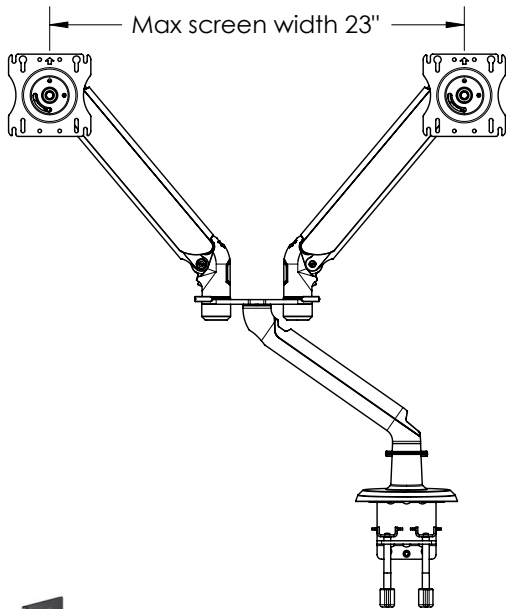
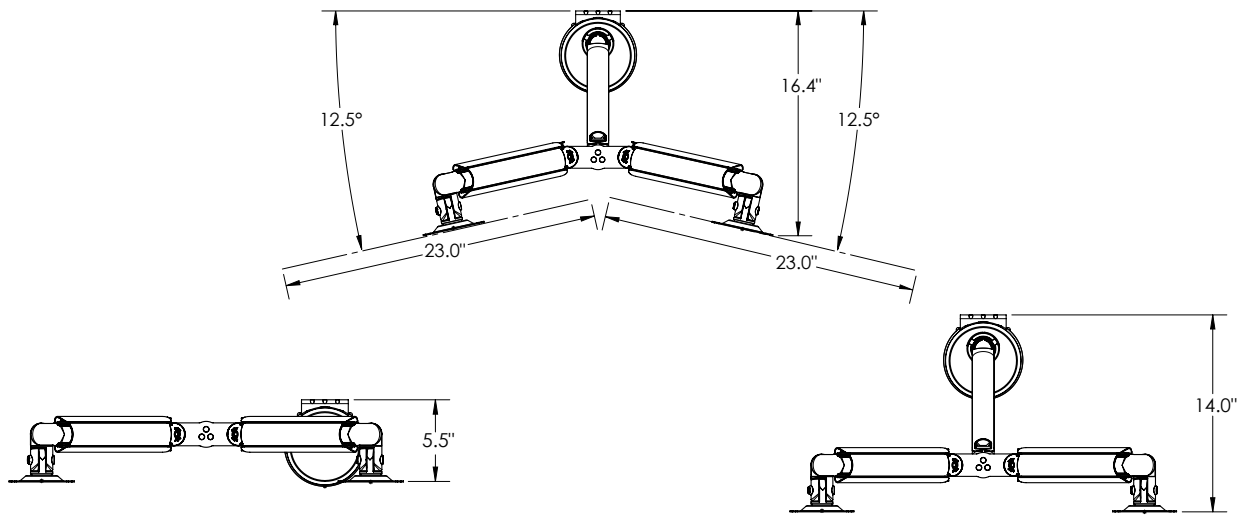
Adjustable rotation limiter restricts arm rotation to 180°, preventing the fixed segment from hitting walls

Steel and die cast aluminum construction provides greater stability and contains high recycled material content with full recyclability

Comes with tools and mounting hardware for quick and easy installation (Tool-free)

Multiple color choices include Silver/Gray, Black/Black and White/Gray to match any furniture or decor

5 year warranty



Monitors front & back



Monitors side by side



Monitors top & bottom

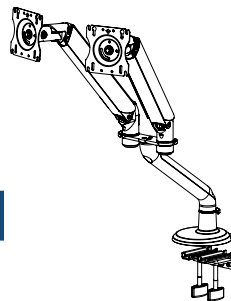
## Tempo™ Dual Hub

7765 Dual Hub Monitor Arm

### Ancillary Products:

- Compatible with all Knap & Vogt Waterloo keyboard arms
- Use with Knap & Vogt Waterloo CPU holders

Model	Description	Maximum Monitor Weight Capacity	Weight
7765AS	Tempo™ Dual Hub Monitor Support	5 lbs. to 20 lbs. per screen (10 lbs. to 40 lbs. total)	15.34 lbs.



## Colour Options

To specify colour, other than silver, replace the "AS" in the part number with:

**B** = Black **Y** = White

For example, to get a "7765AS" in white, order **7765Y**.



Notes: 1. Weight = packaged shipping weight per unit. 2. Specifications are subject to change without notice.



2700 Oak Industrial Dr. NE  
Grand Rapids, MI 49505-6026 USA  
1.800.253.1561 | 616.459.3311  
Fax: 877.636.3290  
www.kv.com

This and other KV literature is available for download at [www.kv.com](http://www.kv.com) > Resource Library

Knap & Vogt reserves the right to change product specifications at any time without notice and without incurring responsibility for existing units.  
©2017 Knap & Vogt. KV and the KV logo are trademarks of Knap & Vogt.