

## Medium-Duty

100 lb. Load Class

1/2" Side Clearance

Max. Drawer Width: 24"



# Corrosion Resistant Finish 6300 CR Full Extension Drawer Slide

The 6300 Corrosion Resistant Slide is designed to be used in applications where an extra level of finish protection is needed and uses a USDA H-1 approved grease.

## Applications

- Garages
- Greenhouses
- Locker Rooms
- Storage Barns

Additionally, the following components are manufactured from stainless steel.

## Stainless Steel Components

- Ball-Bearing Retainer
- Release Lever Rivets
- Ball-Bearings
- Fasteners (included)

## Specifications

**Model:** 6300 CR Full Extension Drawer Slide

**Mounting:** Side

**Disconnect:** Butterfly Lever Release

**Material:** Steel with Corrosion Resistant Finish

**Hole Pattern:** 32mm and Traditional

**Type:** Ball-Bearing

**Travel:** Full Extension

**Finish:** Corrosion Resistant

**Length:** 10", 12", 14", 16", 18", 20", 22", 24", 26", 28"

**Clearance:** .50" + .03"-0" on each side

**Height:** 1.79" [45.5mm]

**Packaging:** Poly Pack (6300P): All sizes—10 pair per carton. Stainless screws included.

**Action:** Telescopic movement on ball-bearings

**Slide Configuration:** Unhanded

## Rating

**Load:** 100 lb.

**Max. Recommended Drawer Width:** 24"

As with all Knap & Vogt drawer slides, the 6300 CR is designed to meet or exceed performance standards as established by BIFMA, BHMA and KCMA.

## Accessories

**6340 RB:** Rear Mounting Bracket with Corrosion Resistant finish

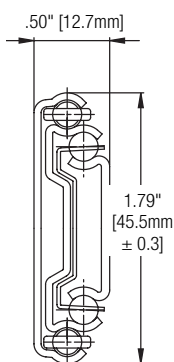
## Hardware

#7 x 1/2" Stainless Steel Phillips Pan Head included

## Warranty

Limited Lifetime Warranty

### Profile



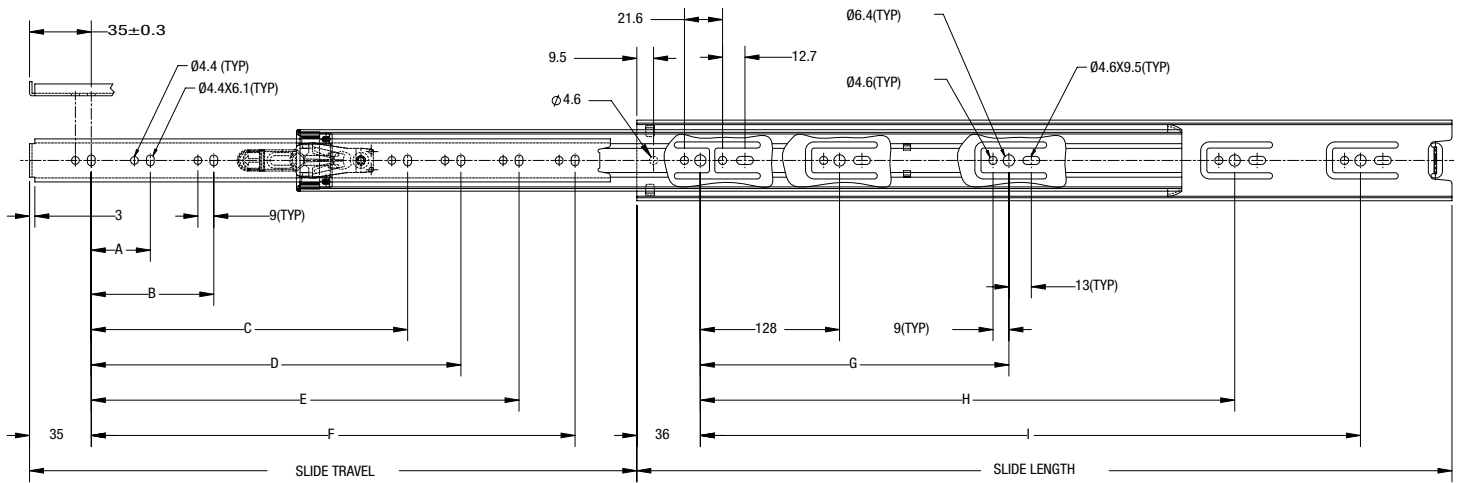
### Clearance

1/2" + 1/32"-0"

.50" + .03"-0"

12.7mm + .8mm - 0mm

# Charted Information



SKU Number	Slide Size mm/inch	Length mm/inch	Travel mm/inch	A mm/inch	B mm/inch	C mm/inch	D mm/inch	E mm/inch	F mm/inch	G mm/inch	H mm/inch	J mm/inch
6300P CR 12	300mm [12"]	300mm [11.8"]	305mm [12.0 in]	—	—	242mm [9.53"]	—	—	—	224mm [8.82"]	—	—
6300P CR 14	350mm [14"]	350mm [13.78"]	356mm [14.0"]	96mm [3.78"]	—	292mm [11.5"]	—	—	—	224mm [8.82"]	—	—
6300P CR 16	400mm [16"]	400mm [15.75"]	406mm [16.0 in]	96mm [3.78"]	—	342mm [13.46"]	—	—	—	224mm [8.82"]	320mm [12.6"]	—
6300P CR 18	450mm [18"]	450mm [17.72"]	453mm [17.8"]	128mm [5.03"]	—	294mm [11.58"]	392mm [15.43"]	—	—	224mm [8.82"]	352mm [13.86"]	—
6300P CR 20	500mm [20"]	500mm [19.69"]	515mm [20.3"]	96mm [3.78"]	160mm [6.3"]	344mm [13.54"]	442mm [17.40"]	—	—	224mm [8.82"]	416mm [16.38"]	—
6300P CR 22	550mm [22"]	550mm [21.65"]	565mm [22.2"]	96mm [3.78"]	160mm [6.3"]	352mm [13.86"]	394mm [15.51"]	492mm [19.37"]	—	224mm [8.82"]	352mm [13.86"]	448mm [17.64"]
6300P CR 24	600mm [24"]	600mm [23.62"]	615mm [24.2"]	128mm [5.03"]	192mm [7.56"]	384mm [15.12"]	444mm [17.48"]	542mm [21.34"]	—	224mm [8.82"]	352mm [13.86"]	480mm [18.9"]
6300P CR 26	650mm [26"]	650mm [25.59"]	665mm [26.2"]	128mm [5.03"]	224mm [8.82"]	416mm [16.38"]	494mm [19.45"]	592mm [23.31"]	—	224mm [8.82"]	352mm [13.86"]	544mm [21.42"]
6300P CR 28	700mm [28"]	700mm [27.56"]	712mm [28.0"]	128mm [5.03"]	224mm [8.82"]	416mm [16.38"]	480mm [18.9"]	544mm [21.42"]	642mm [25.28"]	224mm [8.82"]	352mm [13.86"]	544mm [21.42"]



**KNAPE & VOGT.**

2700 Oak Industrial Dr. NE  
Grand Rapids, MI 49505-6026 USA  
1.800.253.1561 | 616.459.3311  
Fax: 877.636.3290  
www.kv.com

Manufactured by Knap & Vogt Asia / Taipei, Taiwan. Distributed by Knap & Vogt Manufacturing Company.

This and other KV literature is available for download at [www.kv.com](http://www.kv.com) > Resource Library.

Knap & Vogt reserves the right to change product specifications at any time without notice and without incurring responsibility for existing units.

©2018 Knap & Vogt. KV GSlide. KV and the KV logo are trademarks of Knap & Vogt.

OL3028/0318