

84820063A79

84820063A81



## Tenor™ Trackless Arm with HDPE Mini Keyboard Tray

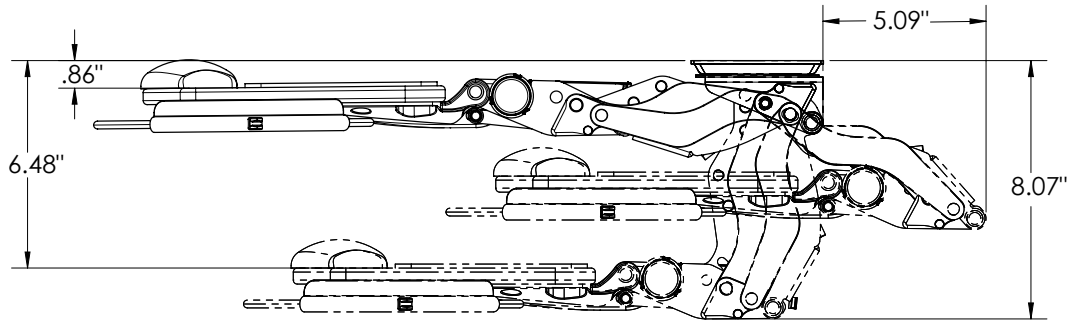
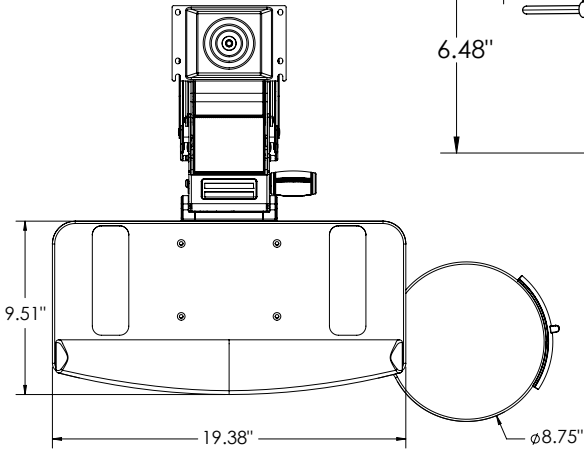
This arm and tray combination is designed to work on benching systems or height adjustable tables where traditional track mounted products would not normally work.

Features a small profile tray for storability and an arm that is perfect where space is limited.

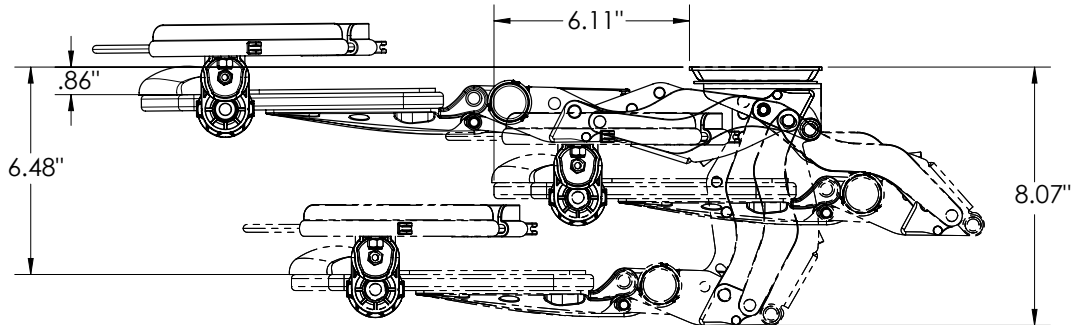
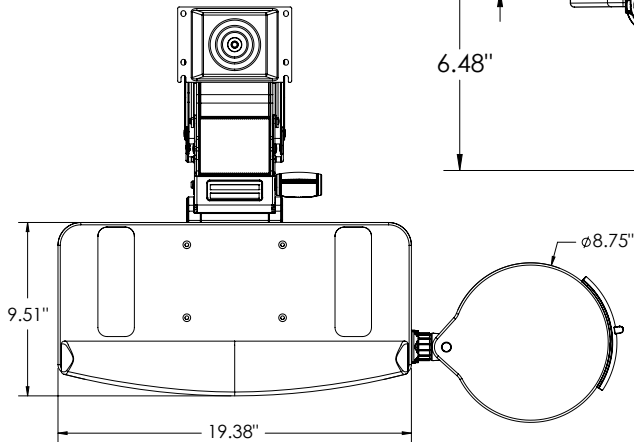
8482D00 & 6463A79 / 8482D00 & 6463A81

Features	Benefits
Trackless Tenor™ arm with Lift-n-Lock™ height adjustment and dial tilt soft touch knob for tray tilt adjustment	Intuitive knob-less/lever-less Lift-n-Lock™ for easy height adjustment with soft touch tilt knob to adjust for a personal fit
Height adjustment range of 0.9" below to 6.48" below mounting surface	Exceeds HFES & BIFMA standards and guidelines for 5th to 95th percentile seated users
Trackless design directly mounts to the underside of the work surface	For usage on benching systems or height adjustable tables where conventional track mount arms would not work
Anti-skid strips on keyboard tray	Strips prevent keyboard slippage
Tray made from 1/2" thick HDPE (High Density Polyethylene) with a textured finish	Sturdy design which meets "Green" product requirements
19.4" wide keyboard trays comes with mouse guard including cable manager	Prevents mouse from slipping off tray
Plug-in, non-inserted, gel foam palm rest	Offers gentle support, easy-to-clean wrinkle finish and wear resistant material. Fully recyclable.
Available with swivel only mouse surface or height adjustable mouse mechanism	For right- or left -hand mousing

84820063A79



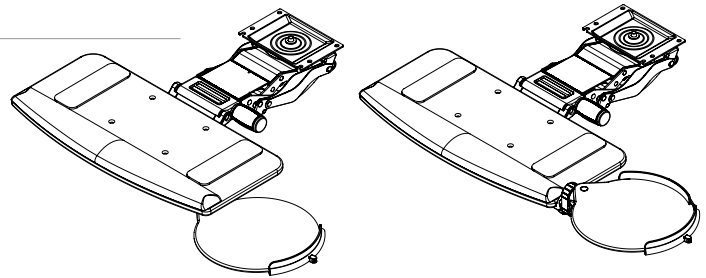
84820063A81



## Tenor Arm with HDPE Mini Keyboard Trays

### Ancillary Products:

- Use with Knape & Vogt Waterloo CPU Holders
- For flat panel displays, specify the Concerto flat panel support system



Model	Height Range Below Mounting Surface	Tilt	Tray Depth & Width	Mouse Tray	Mounting
84820063A79	.86" to 6.48"	+10° to -15°	9.5" x 19.4"	Swivel only	Fixed
84820063A81	.86" to 6.48"	+10° to -15°	9.5" x 19.4"	Height adjustable with swivel	Fixed

Notes: 1. Weight = packaged shipping weight per unit. 2. Specifications are subject to change without notice.



2700 Oak Industrial Dr. NE  
Grand Rapids, MI 49505-6026 USA  
1.800.253.1561 | 616.459.3311  
Fax: 877.636.3290  
www.kv.com

This and other KV literature is available for download at [www.kv.com](http://www.kv.com) > Resource Library

Knape & Vogt reserves the right to change product specifications at any time without notice and without incurring responsibility for existing units.  
©2018 Knape & Vogt. KV and the KV logo are trademarks of Knape & Vogt.

OL3076/0418