

Urban™

John Sterling®

Aluminum Wall-mount System for Sliding Doors

Aluminum wall-mount track with integrated fascia, end caps and hardware for a heavy duty single door.



Wall-mount sliding door hardware: trend-setting barn door looks without the designer cost

Designed for interior residential or commercial spaces, Urban is ideal for bathrooms, laundry rooms, closets, storage rooms, office or room dividers, etc., where space is limited. It's the perfect solution for those places where a pocket door is cost prohibitive or structurally not feasible.

Features:

- Aluminum clear and dark bronze finishes
- Track with integrated fascia
- Track supports up to 250 lbs.
- Quiet 4-wheel ball bearing carriers

Benefits:

- Concealing end caps provide a finished look
- Space saving solution for interior doorways and room dividers
- Ease of installation

Applications:

Residential:	Commercial:
Room divider	Office
Pantry	Healthcare
Closet	Institutional
	Hospitality

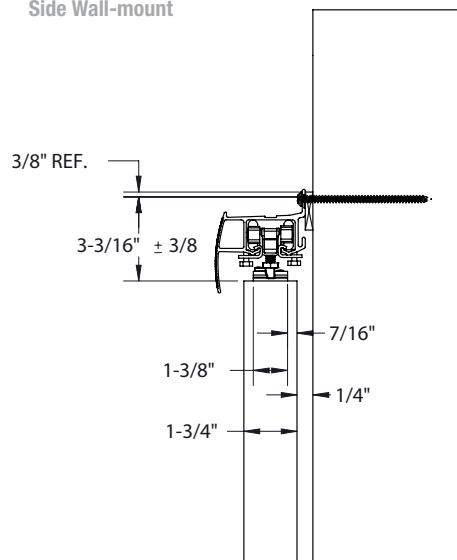


Aluminum milled finish



Anodized dark bronze aluminum finish

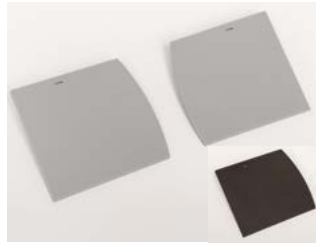
Side Wall-mount



- Door thickness: 1" to 1-3/8"
- Load rating: Up to 250 lbs.
- Track material: Single aluminum box track
- Carrier: 4-wheel ball bearing
- Compares to: Pemko 280SWT
Johnson 2610F, 2610FB
- Conforms to: ANSI BHMA A156.14-2007
Grade 1, D8011, D8681, D8691
Grade 2, D8012, D8692
Bi-parting
Grade 1, D8711
Grade 2, D8721



Wall-Mount Track in aluminum milled or dark bronze finish



End Caps in gray or dark bronze finish

Packaged Sets

SKU	Description	Door Panel Configuration	Pack Qty	Weight (lbs)
VM-150-A-72	Track with integrated fascia (mill finish) and End Caps (gray)	1 x 36" Door	1	14
VM-150-A-96	Track with integrated fascia (mill finish) and gray End Caps (gray)	1 x 48" Door	1	18
VM-150-B-72	Track with integrated fascia (anodized) and End Caps (dark bronze)	1 x 36" Door	1	14
VM-150-B-96	Track with integrated fascia (anodized) and End Caps (dark bronze)	1 x 48" Door	1	18

Installation



Step 1: Install wall-mount track



Step 2: Insert carriers



Step 3: Snap end caps onto wall-mount track



2700 Oak Industrial Dr. NE
 Grand Rapids, MI 49505-6026 USA
 1.800.253.1561 | 616.459.3311
 Fax: 877.636.3290
 www.kv.com

This and other KV literature is available for download at www.kv.com > Resource Library

Knappe & Vogt reserves the right to change product specifications at any time without notice and without incurring responsibility for existing units.
 ©2018 Knappe & Vogt. KV and the KV logo are trademarks of Knappe & Vogt.