

## 7215SH12

### ERGONOMIC

### MONITOR SUPPORT

The Concerto installs in 3 minutes for enhancing health and comfort by placing the screen at the proper height, angle and distance. It boasts great return on investment by increasing productivity, reducing the need for valuable work space and avoiding time lost caused by working in non-ergonomic postures. The mechanical arm allows the user to change body positions frequently, which increases blood circulation and reduces eye, neck and back strain. Concerto is built in the U.S.A.

### 7200 series

#### FEATURES & BENEFITS

- EASY TO INSTALL:** Partially pre-assembled to reduce time. Quick-Connect Adapter helps mount technology.
- MODULAR:** Add extra screens for growing needs or remove screws to adapt to shifting work environments.
- MECHANICAL SPRING:** Provides smooth and easy adjustment and long term reliability.
- DURABILITY:** Solid construction of steel and aluminum provides unparalleled stability and 10 year warranty.
- DESIGN:** Sleek and modern to match contemporary spaces.
- ENVIRONMENTAL STORY:** Designed for disassembly using 98% of recyclable components and 13% of recycled content. Ships partially assembled to reduce shipping volume and footprint. Contributes to LEED credits. Lasts years without the need to be replaced.
- UNIVERSAL MOUNT:** Clamp and grommet adjustable to fit most work surfaces.

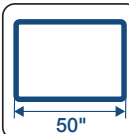
#### OPTIONAL ACCESSORIES

**ROTATION LIMITER:** (Sold separately) Prevents rearward overhang and impact with walls and panels.

INSTALLATION TIME



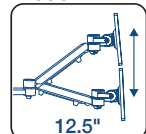
MAX SCREEN WIDTH



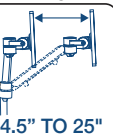
WEIGHT CAPACITY



HEIGHT ADJUSTABILITY



MIN/MAX REACH



MOUNTING PATTERNS



BAA, TAA, GSA COMPLIANT

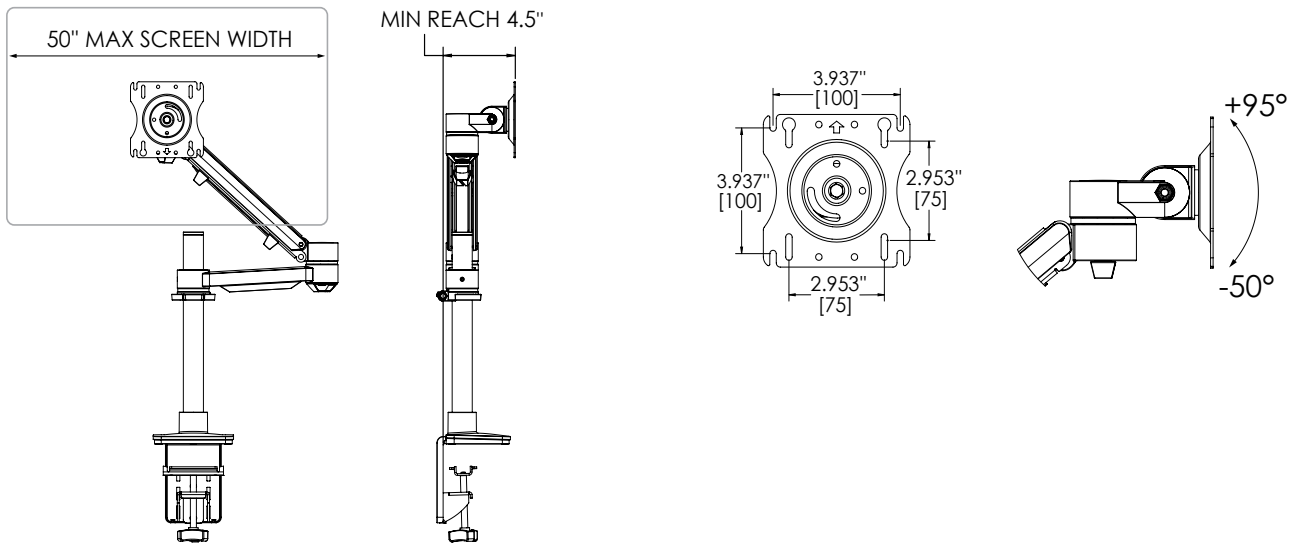
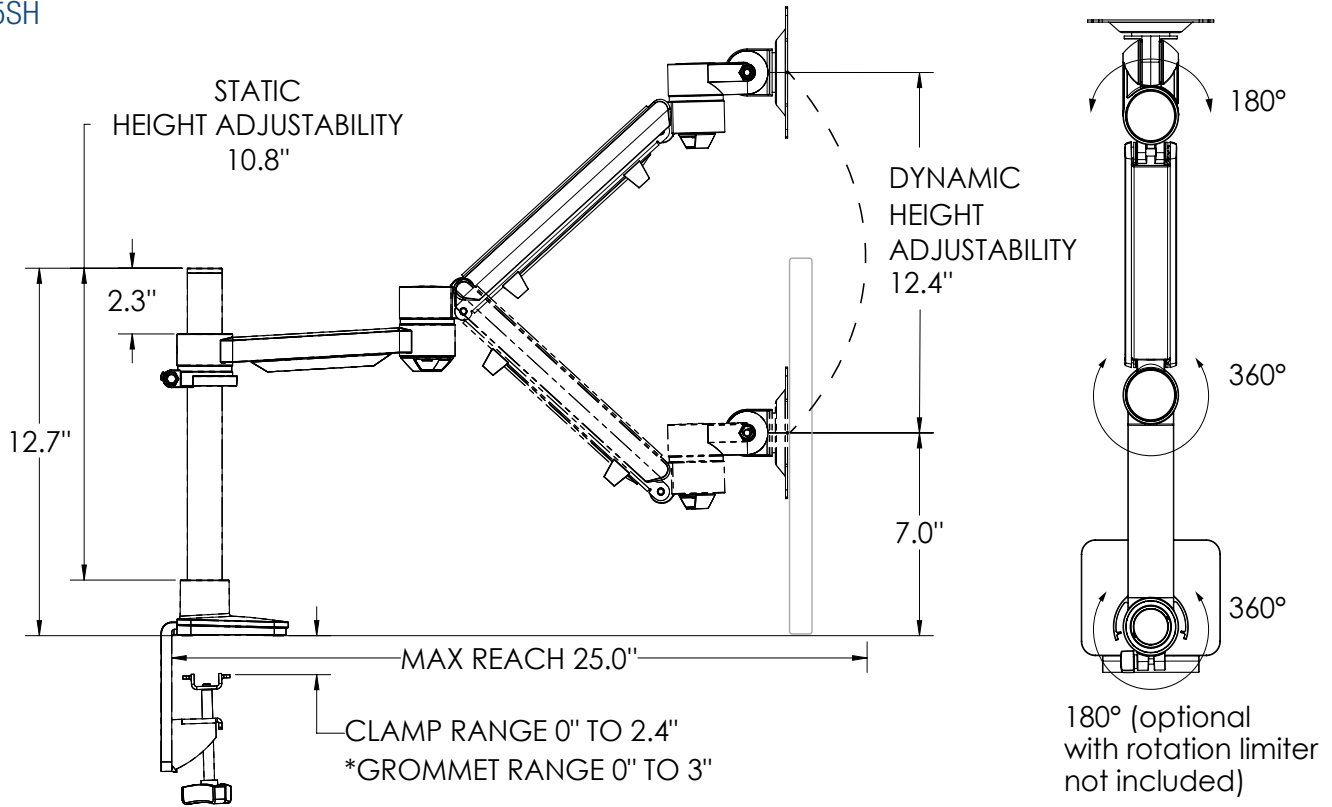


BIFMA COMPLIANT



YEARS OF WARRANTY

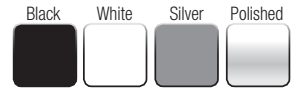




MODEL	DESCRIPTION	SHIPPING WEIGHT	SHIPPING DIMENSIONS	WEIGHT (ARM ONLY)
7215SH12	Single-Screen, Double-Extension with one Height-Adjustable Extension	8.7 lbs.	26.0" x 8.5" x 7.5"	7.0" lbs.

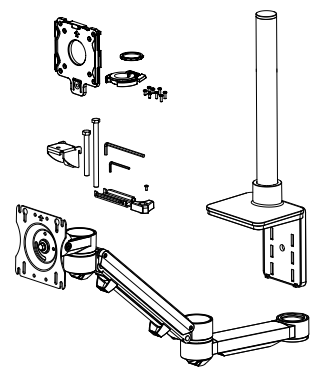
**COLOUR OPTIONS**

To specify colour, other than silver, replace the "S" in the part number with:  
**B** = Black   **W** = White   **P** = Polished  
 For example, to get a "7215SH12" in white, order 7215WH12.



**INCLUDES:**

- Monitor Arm
- Pole/Base Assembly
- Universal Mounting Brackets (clamp & grommet)
- Quick Connect Adapter
- Mounting Screws
- Adjustment tools
- Installation Manual



Specifications are subject to change without notice.



2700 Oak Industrial Dr. NE  
 Grand Rapids, MI 49505-6026 USA  
 1.800.253.1561 | 616.459.3311  
 Fax: 877.636.3290  
[www.kv.com](http://www.kv.com)

*This and other KV literature is available for download at [www.kv.com](http://www.kv.com) > Resource Library*  
 Knappe & Vogt reserves the right to change product specifications at any time without notice and without incurring responsibility for existing units.  
 ©2019 Knappe & Vogt. KV and the KV logo are trademarks of Knappe & Vogt.