

7210SH12 ERGONOMIC MONITOR SUPPORT

The Concerto installs in 3 minutes for enhancing health and comfort by placing the screen at the proper height, angle and distance. It has great return on investment by increasing productivity, reducing the need for valuable work space and avoiding time lost caused by working in non-ergonomic postures. The mechanic arm allows the user to change body positions constantly, which increases blood circulation and reduces eye, neck and back strain. Concerto is built in the U.S.A.

7200 series

FEATURES & BENEFITS

- EASY TO INSTALL:** Partially pre-assembled to reduce time. Quick-Connect Adapter helps mount technology.
- MODULAR:** Add extra screens for growing needs or remove screws to adapt to shifting work environments.
- MECHANICAL SPRING:** Provides smooth and easy adjustment and long term reliability.
- DURABILITY:** Solid construction of steel and aluminum provides unparalleled stability and 10 year warranty.
- DESIGN:** Sleek and modern to match contemporary spaces.
- ENVIRONMENTAL STORY:** Designed for disassembly using 98% of recyclable components and 13% of recycled content. Ships partially assembled to reduce shipping volume and footprint. Contributes to LEED credits. Lasts years without the need to be replaced.
- UNIVERSAL MOUNT:** Clamp and grommet adjustable to fit most work surfaces.

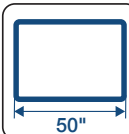
OPTIONAL ACCESSORIES

ROTATION LIMITER: (Sold separately) Prevents rearward overhang and impact with walls and panels.

INSTALLATION
TIME



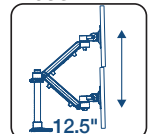
MAX SCREEN
WIDTH



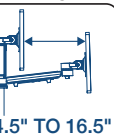
WEIGHT
CAPACITY



HEIGHT
ADJUSTABILITY



MIN/MAX
REACH



MOUNTING
PATTERNS



BAA, TAA, GSA
COMPLIANT

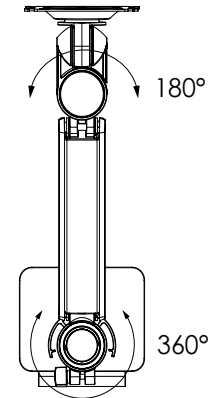
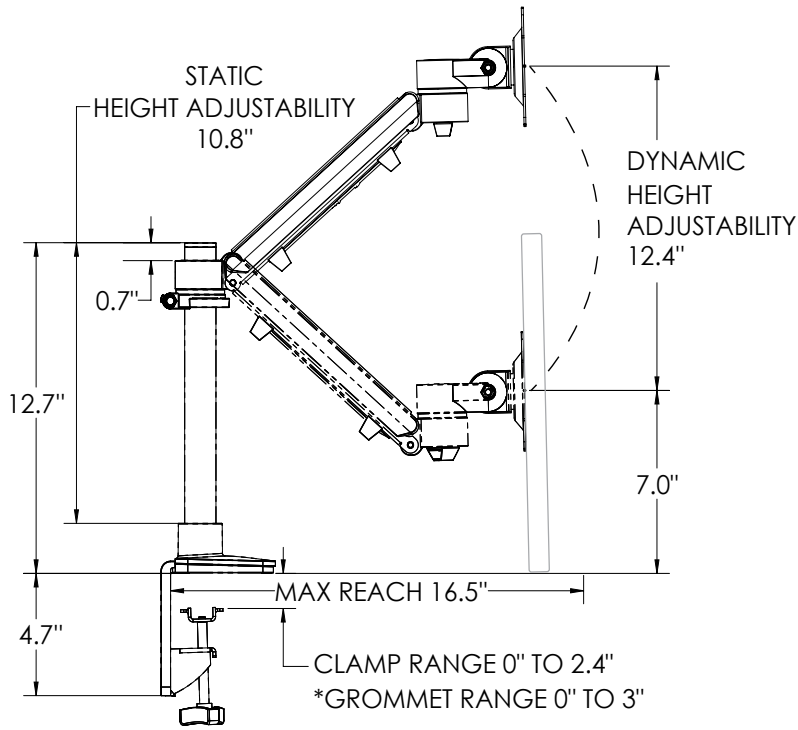


BIFMA
COMPLIANT

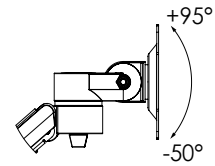
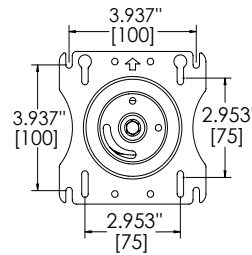
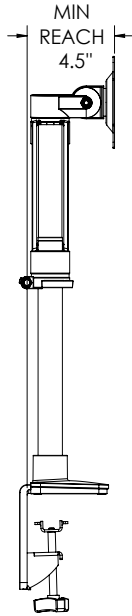
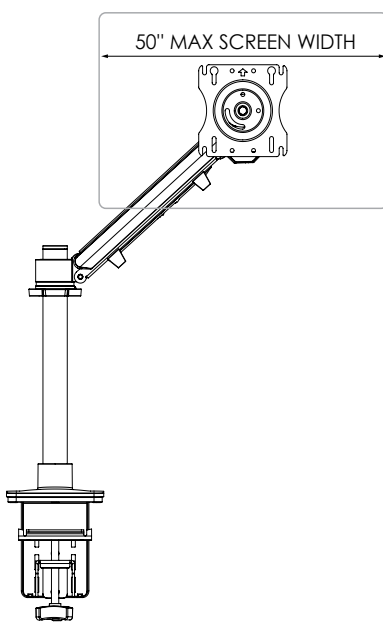


YEARS OF
WARRANTY





180° (optional with rotation limiter not included)



MODEL	DESCRIPTION	SHIPPING WEIGHT	SHIPPING DIMENSIONS	WEIGHT (ARM ONLY)
7210SH12	Single-Screen, Single Height-Adjustable Extension	7.4 lbs.	21.3" x 7.8" x 5.9"	5.9 lbs.

COLOUR OPTIONS

To specify colour, other than silver, replace the "S" in the part number with:

B = Black **W** = White **P** = Polished

For example, to get a "7210SH12" in white, order 7210WH12.



INCLUDES:

- Universal Mounting Brackets (clamp & grommet)
- Quick Connect Adapter
- Mounting Screws
- Monitor Arm
- Adjustment tools
- Installation Manual

