

Heavy-Duty

Up to 200 lb. Load Class

.765" Side Clearance

Max. Drawer Width: 42"



8850FM Soft-Closing Drawer Slide

The 8850FM is a 200 lb. class drawer slide with best-in-class soft-close module features patented Force Management™ Technology that delivers the lowest opening pull force while ensuring effective dampening closure that eliminates drawer slamming. Full extension drawer slide has a traditional and 32mm hole patterns that support industry standards.

Applications

- Wood residential and commercial furniture & cabinetry
- RV cabinetry

Specifications

Model: 8850FM Full Extension Soft-Closing Drawer Slide

Module: Soft-Close

Mounting: Side

Disconnect: Lever Release

Hole Pattern: 32mm and Traditional

Face Frame Mounting: No

Type: Ball-Bearing

Travel: Full Extension

Finish: Zinc

Length: 12", 14", 16", 18", 20", 22", 24", 26", 28"

Clearance: .765" +.03"-0 on each side

Height: 2.09" [53.2mm]

Packaging: Bulk Pack all sizes – 4 pair per carton

Action: Telescopic

Slide Configuration: Unhanded

Origin: Made in Taiwan

Rating

Load: Up to 200 lb.

Max. Drawer Width: 42"

As with all Knap & Vogt drawer slides, the 8850FM are designed to meet or exceed ANSI performance standards as established by BIFMA, BHMA and KCMA.

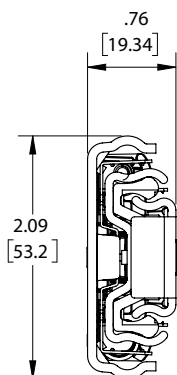
Hardware

#8 Flat Head (Not included)

Warranty

Limited Lifetime Warranty

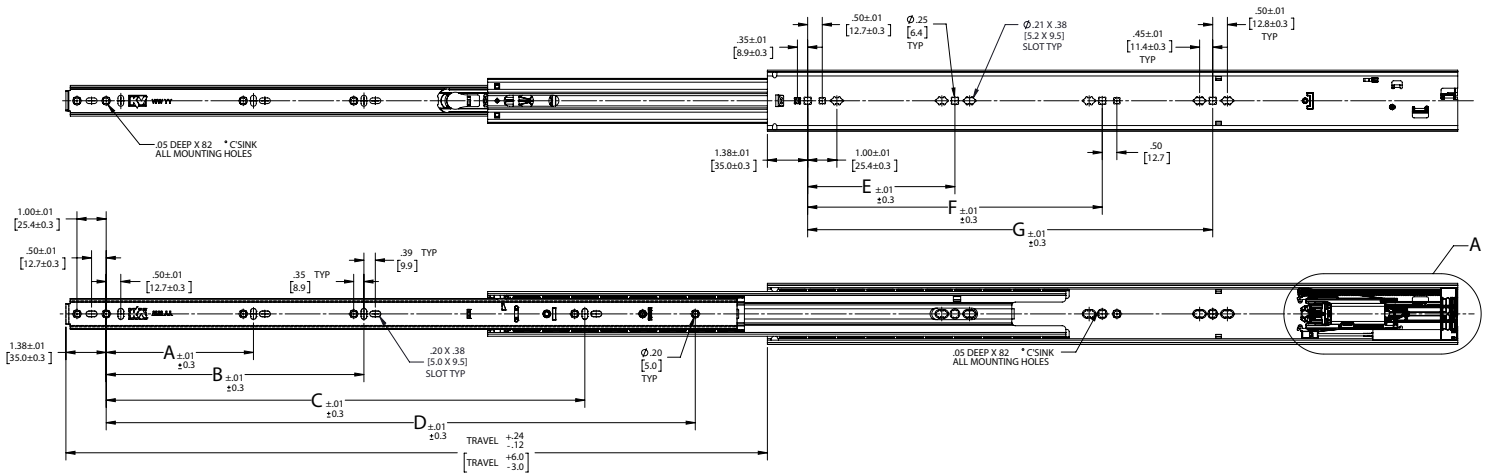
Profile



Clearance

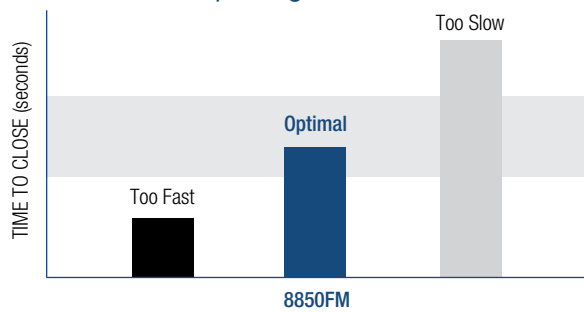
.765" + .03" - 0"
19.4mm + .8mm - 0mm

Charted Information



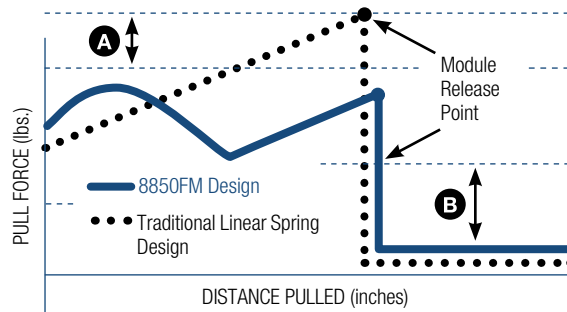
SKU Number	Slide Size inch/mm	Length inch/mm	Travel inch/mm	A inch/mm	B inch/mm	C inch/mm	D inch/mm	E inch/mm	F inch/mm	G Inch/mm
8850FMB 12	12" [300mm]	12.00" [304.8mm]	9.64 [244.9]	-	-	-	8.819 [224.0]	3.780 [96.0]	-	-
8850FMB 14	14" [350mm]	14.00" [355.6mm]	13.58 [344.9]	-	-	-	11.339 [288.0]	5.039 [128.0]	-	-
8850FMB 16	16" [400mm]	16.00" [406.4mm]	16.00 [406.4]	5.039 [128.0]	-	-	12.598 [320.0]	6.299 [160.0]	-	-
8850FMB 18	18" [450mm]	18.00" [457.2mm]	18.00 [457.2]	5.039 [128.0]	-	-	15.118 [384.0]	5.039 [128.0]	8.819 [224.0]	-
8850FMB 20	20" [500mm]	20.00" [508.0mm]	20.00 [508.0]	5.039 [128.0]	-	-	16.378 [416.0]	-	8.819 [224.0]	11.339 [288.0]
8850FMB 22	22" [550mm]	22.00" [558.8mm]	22.00 [558.8]	5.039 [128.0]	8.819 [224.0]	15.118 [384.0]	18.898 [480.0]	10.080 [256.0]	13.860 [352.0]	-
8850FMB 24	24" [600mm]	24.00" [609.6mm]	24.00 [609.6]	5.039 [128.0]	8.819 [224.0]	6.378 [160.0]	20.157 [512.0]	5.039 [128.0]	10.080 [256.0]	13.860 [352.0]
8850FMB 26	26" [650mm]	26.00" [660.4mm]	26.00 [660.4]	5.039 [128.0]	8.819 [224.0]	18.898 [480.0]	22.677 [576.0]	5.039 [128.0]	12.600 [320.0]	16.535 [420.0]
8850FMB 28	28" [700mm]	28.00" [711.2mm]	28.00 [711.2]	5.039 [128.0]	8.819 [224.0]	20.157 [512.0]	23.937 [608.0]	5.039 [128.0]	13.860 [352.0]	19.055 [484.0]

Soft-Close Dampening Effect



- 8850FM soft-close slides close at the optimal speed due to the perfect balance of dampening and spring forces.
- Slides that close too fast have little to no dampening effect.
- Slides that close too slow have poor closure performance.

Soft-Close Module Force Curve



8850FM soft-close slides have:

- A** A lower peak pull force – making them the easiest Soft-Close slides to open.
- B** Significantly less drop off force at the module release point – eliminating the “jerkiness” of traditional linear spring designs.



KNAPE & VOGT.
 2700 Oak Industrial Dr. NE
 Grand Rapids, MI 49505-6026 USA
 1.800.253.1561 | 616.459.3311
 Fax: 877.636.3290
 www.kv.com

This and other KV literature is available for download at www.kv.com > Resource Library
 Knappe & Vogt reserves the right to change product specifications at any time without notice and without incurring responsibility for existing units.
 ©2021 Knappe & Vogt. KV and the KV logo are trademarks of Knappe & Vogt.