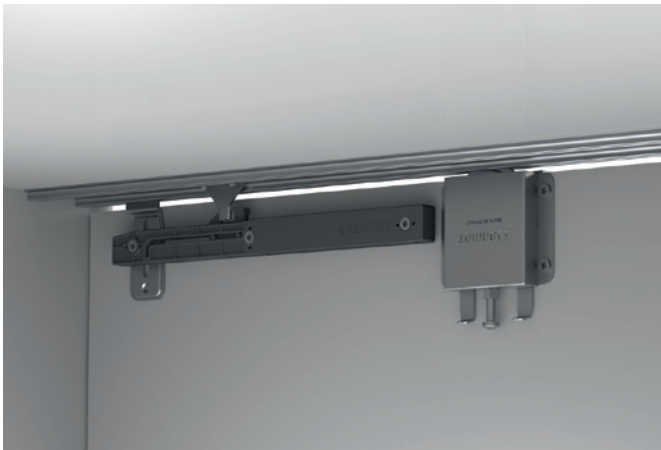


SMT 75T

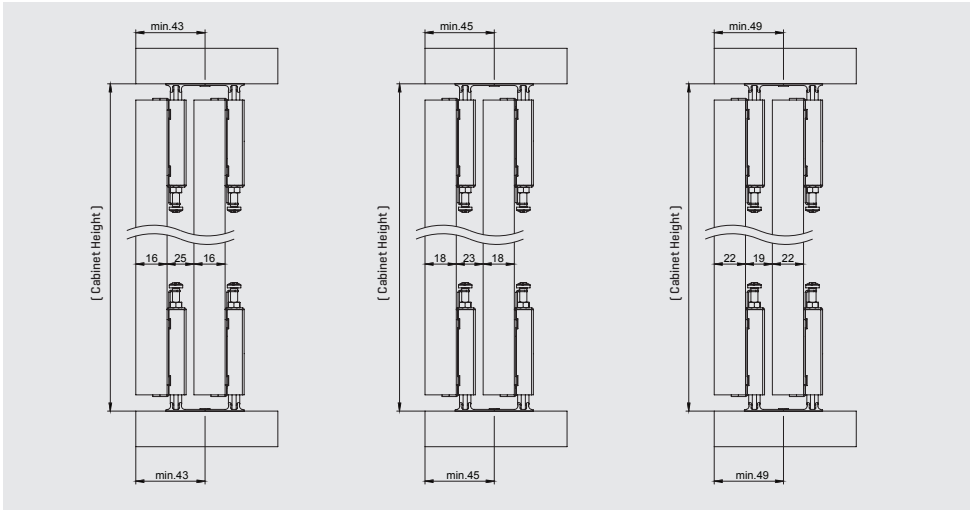
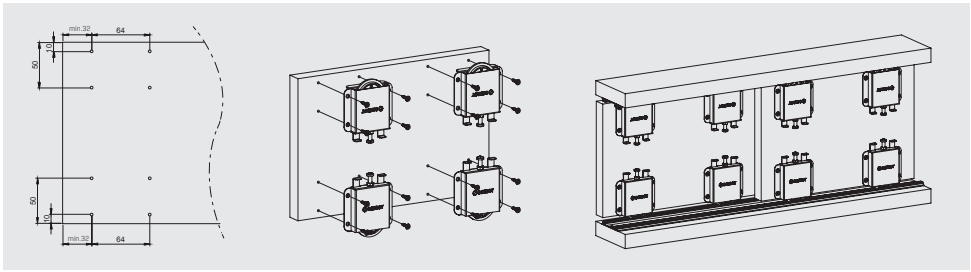
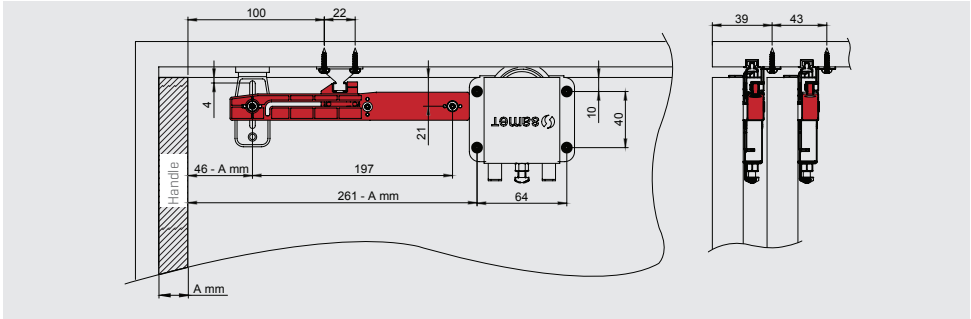
2021.03

Adjustable Sliding Door System

- 165 lbs carrying capacity
- Smooth And Silent Movement
- 8mm Height Adjustability



KV PRODUCT ITEM	DESCRIPTION	PACKAGE	BOX QUANTITY
KVS SDS 103	SMT 75T ADJUSTABLE WHEEL MECHANISM	Wholesale	24 sets
KVS SDS 101	SMT 75T SINGLE FEMALE DOOR TRACK 2.5 MT L ALUMINUM	Wholesale	48 pcs
KVS SDS 102	SMT 75T DOUBLE FEMALE DOOR TRACK 2.5 MT L ALUMINUM	Wholesale	12 pcs
KVS SDS 100	SMT 75T SOFT CLOSE MECHANISM	Wholesale	48 sets



NOTE: DIMENSIONS SHOWN IN BRACKETS ARE VALID FOR "18 mm" AND "22 mm" DOOR THICKNESSES.

Knappe & Vogt reserves the right to change product specifications at any time without notice.

KV and the KV logo are trademarks of Knappe & Vogt Manufacturing Company.

©2021 Knappe & Vogt Manufacturing Company.