

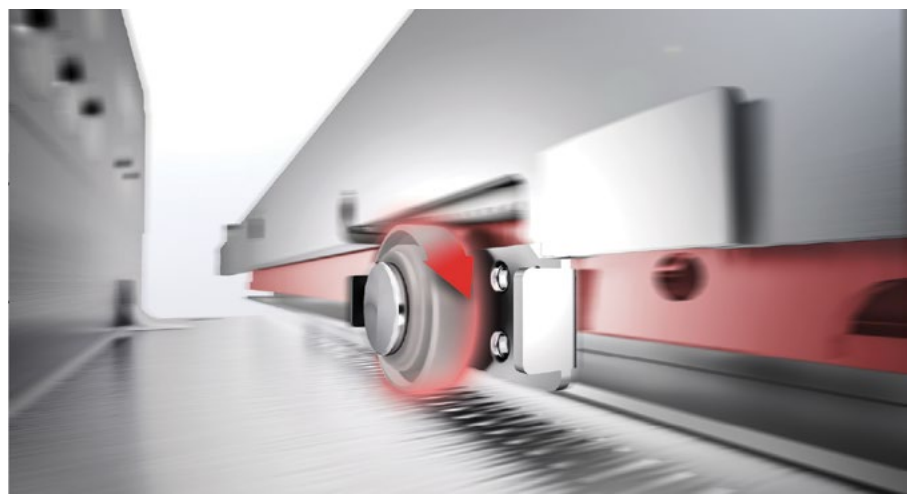
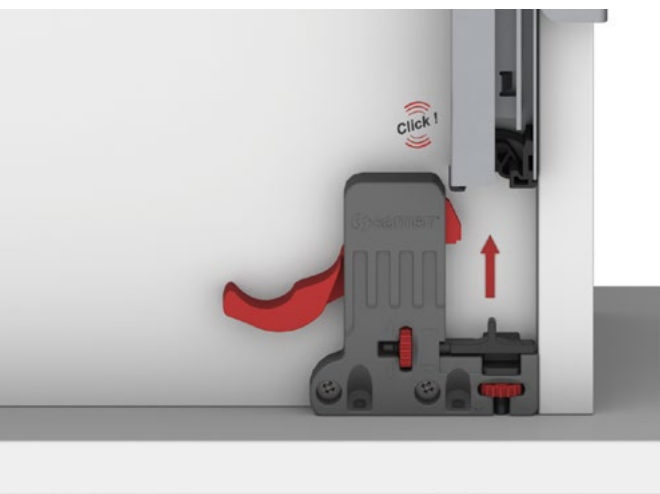


...you will love what you don't see.

Full Extension Undermount Slides

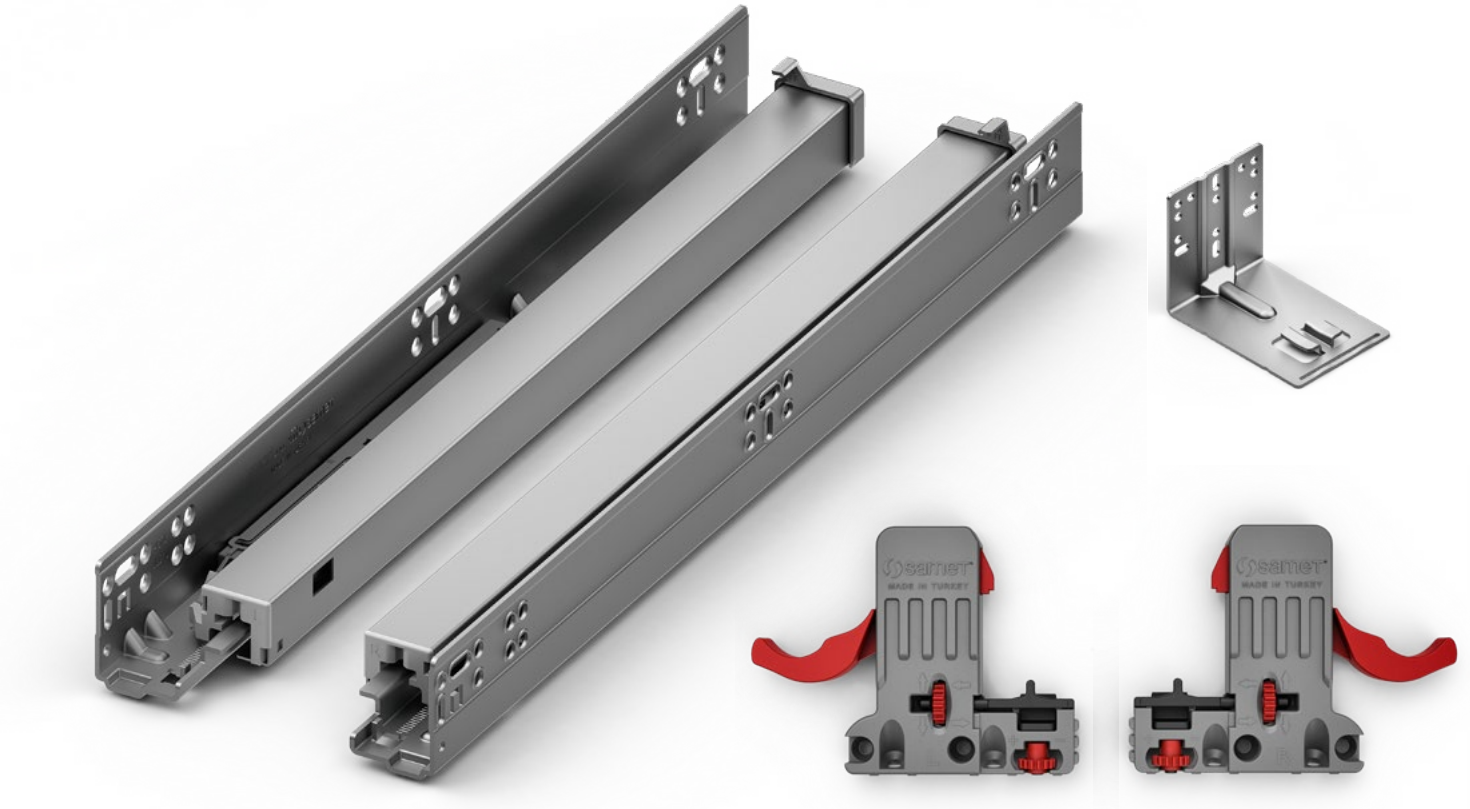
The Smart Slide Full Fit undermount slide is a versatile drawer system designed to meet myriad applications for wood cabinetry:

- Engineered to provide solutions for both face frame and frameless applications
- Created to address demands for kitchen, bath, walk-in pantry and other storage applications



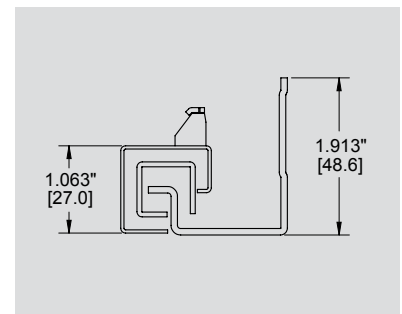
Features:

- Adaptive soft close technology designed to provide consistent soft-close experience even when the drawer load increases
- 2D Locking mechanism for safe, fast, and easy installation
- Nonstop Synchronization ensures smooth, silent running action with lifetime durability
- Lock-Fix mechanism for quick and flexible installation. Adjustable lock mechanism ensures drawer stays on track and in cabinet for safety and peace of mind
- Compatible with wide drawer sizes, 9" to 48" within a range of 9" to 21" lengths
- Optional metal rear mount brackets available for face frame applications
- Exceeds ANSI/BHMA A156.9-2010 technical specifications



FEATURE	DESCRIPTION
LOAD	75 LBS
MODULE	Soft-Close
MOUNTING	Undermount
DISCONNECT	Lever Release
ADJUSTMENT	Smart 2D Lock System ±1,5 mm [1/16"] side-to-side and ±2 mm [3/32"] up
HOLE PATTERN	32mm
FACE-FRAME MOUNTING	Yes
TRAVEL	Full Extension
FINISH	Zinc
LENGTH	9", 12", 15", 18", 21"
ACTION	Synchronization
SLIDE CONFIGURATION	Handed
MATERIAL THICKNESS	1/2" to 5/8"
MAX. DRAWER WIDTH	42"
WARRANTY	Limited Lifetime

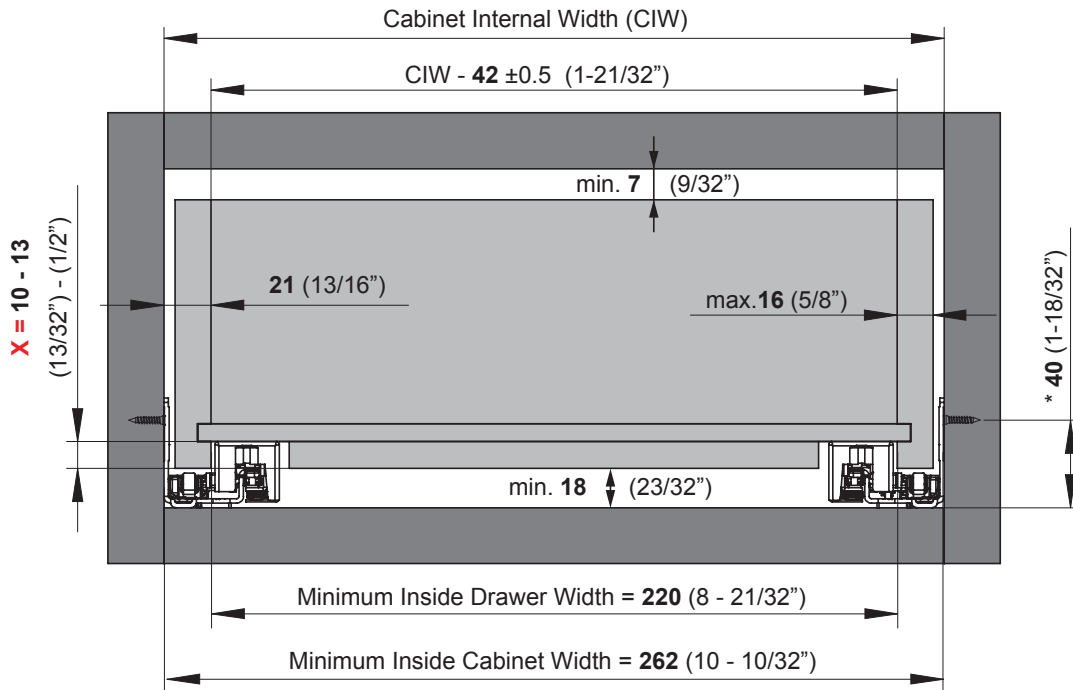
PROFILE



HARDWARE

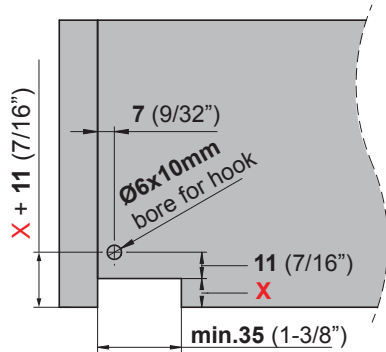
#6 x 5/8" Wood Screws

As with all Knap & Vogt drawer slides, the Smart Slide Full Fit Power is designed to meet or exceed ANSI performance standards as established by, BHMA and KCMA.



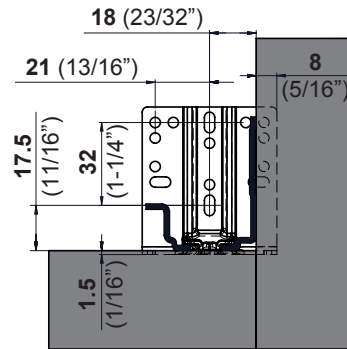
In frameless bottom mounting application minimum height of screw center should be () min. 42mm (1- 21/32")

Drawer Back Preparation



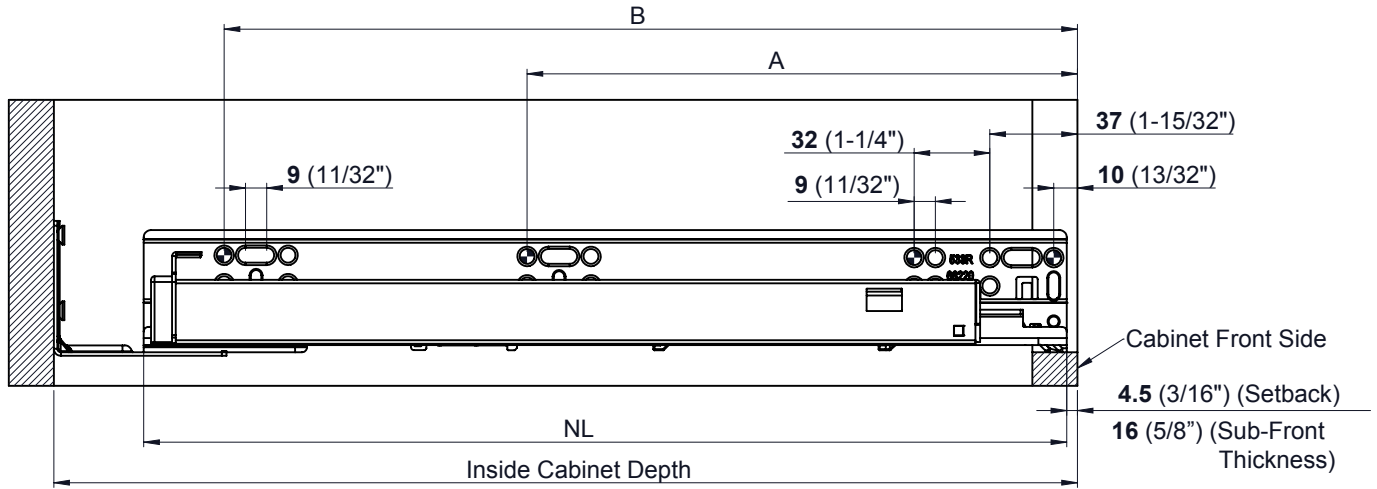
X = 10 - 13mm
X = (13/32") - (1/2")

Rear Mounting Bracket



Note: Use a minimum of three screws per bracket.

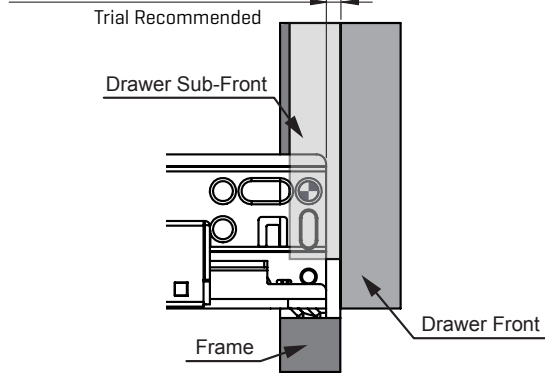
SKU	DESCRIPTION	CARTON QUANTITY
Smart Slide Full Fit Power		
KVSUMB 900 9	9" Smart Slide Full Fit Power Soft Close Undermount Slide	6 Sets
KVSUMB 901 12	12" Smart Slide Full Fit Power Soft Close Undermount Slide	6 Sets
KVSUMB 902 15	15" Smart Slide Full Fit Power Soft Close Undermount Slide	6 Sets
KVSUMB 903 18	18" Smart Slide Full Fit Power Soft Close Undermount Slide	6 Sets
KVSUMB 904 21	21" Smart Slide Full Fit Power Soft Close Undermount Slide	6 Sets
Smart Slide Full Fit Lock		
KVSUMB LR 105	Smart Slide Full Fit Power Smart Lock 2D Right	120 pcs
KVSUMB LL 106	Smart Slide Full Fit Power Smart Lock 2D Left	120 pcs
Smart Slide Full Fit Narrow Lock		
KVSUMB LRN 109	Smart Slide Full Fit Power Narrow Smart Lock 2D Right	120 pcs
KVSUMB LLN 110	Smart Slide Full Fit Power Narrow Smart Lock 2D Left	120 pcs
Smart Slide Full Fit Rear Mount Bracket		
KVSUMB B 102	Smart Slide Full Fit Power Metal Rear Mount Bracket	180 pcs



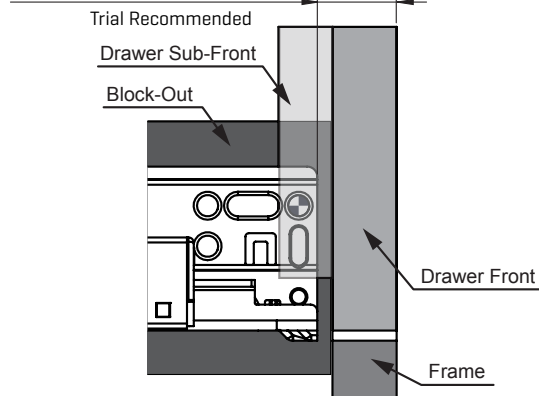
DRAWER LENGTH	INSIDE CABINET DEPTH WITH REAR ATTACHMENT		SLIDE LENGTH (NL)	SCREW LOCATIONS FOR FRAMELESS CABINETS	
	MAX.	MIN.		A	B
9" [229mm]	12-7/32" [310mm]	10-5/8" [270mm]	10-9/32" [261mm]	5-7/32" [133mm]	9" [229mm]
12" [305mm]	14-1/2" [368mm]	12-29/32" [328mm]	12-9/16" [319mm]	6-1/2" [165mm]	10-9/32" [261mm]
15" [381mm]	17-1/2" [444mm]	15-29/32" [404mm]	15-9/16" [395mm]	6-1/2" [165mm]	14-1/16" [357mm]
18" [457mm]	20-1/2" [520mm]	18-29/32" [480mm]	18-17/32" [471mm]	10-9/32" [261mm]	17-27/32" [453mm]
21" [533mm]	23-1/2" [597mm]	21-15/16" [557mm]	21-9/16" [548mm]	10-9/32" [261mm]	20-3/8" [517mm]

Setback Table for Standard & Inset Drawer Application

Runner Setback for Standard Drawer (See Standard Drawer Table)

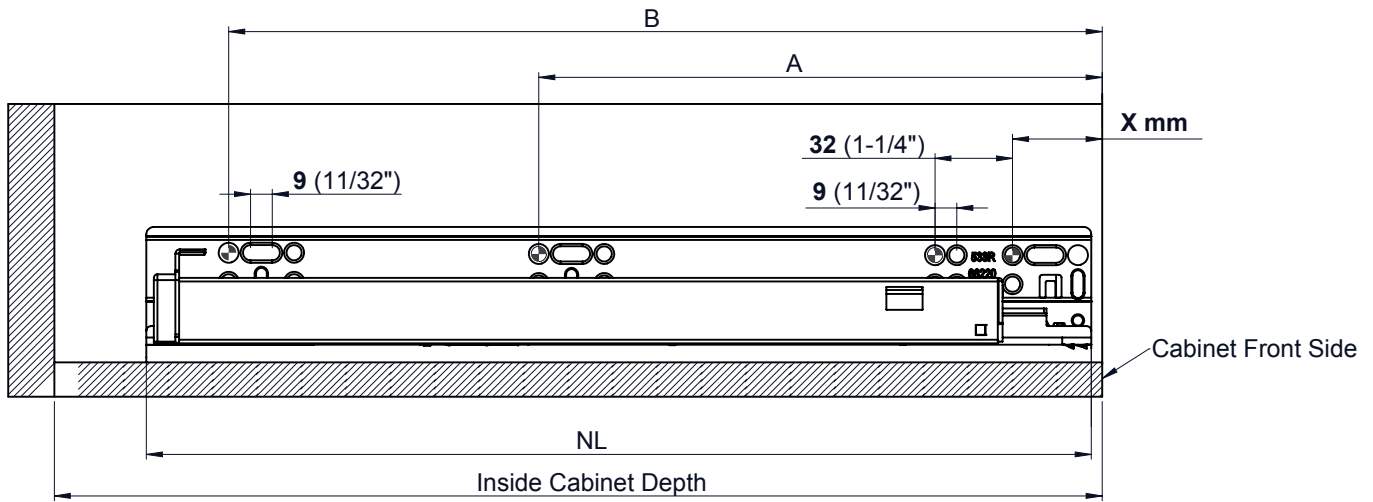


Runner Setback for Inset Drawer (See Inset Drawer Table)

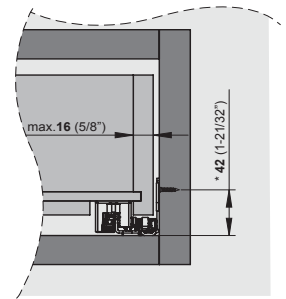


RUNNER SETBACK [STANDARD DRAWER]		SETBACK	
SUB-FRONT THICKNESS	1/2" [13mm]	1/16" [1.5mm]	
	5/8" [16mm]	3/16" [4.5mm]	
	3/4" [19mm]	5/16" [7.5mm]	

RUNNER SETBACK [STANDARD DRAWER]				
		SETBACK		
SUB-FRONT THICKNESS	1/2" [13mm]	11/16" [17.5mm]	13/16" [20.5mm]	15/16" [23.5mm]
	5/8" [16mm]	13/16" [20.5mm]	15/16" [23.5mm]	1-1/32" [26.5mm]
	3/4" [19mm]	15/16" [23.5mm]	1-1/32" [26.5mm]	1-5/32" [29.5mm]
		5/8" [16mm]	3/4" [19mm]	7/8" [22mm]
		Drawer Front Thickness		

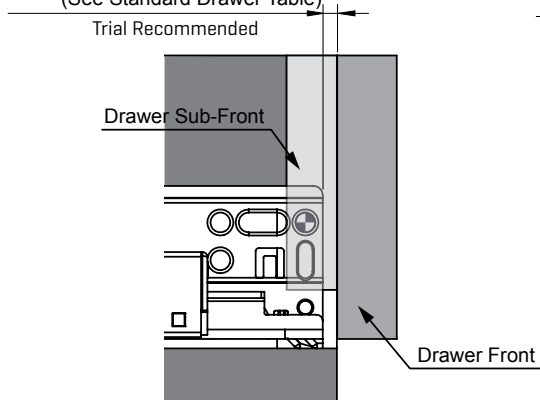


DRAWER LENGTH	MINIMUM INSIDE CABINET DEPTH	SLIDE LENGTH (NL)	SCREW LOCATIONS FOR FRAMELESS CABINETS	
			A	B
9" [229mm]	10-5/8" [270mm]	10-9/32" [261mm]	5-7/32" [133mm]	9" [229mm]
12" [305mm]	12-29/32" [328mm]	12-9/16" [319mm]	6-1/2" [165mm]	10-9/32" [261mm]
15" [381mm]	15-29/32" [404mm]	15-9/16" [395mm]	6-1/2" [165mm]	14-1/16" [357mm]
18" [457mm]	18-29/32" [480mm]	18-17/32" [471mm]	10-9/32" [261mm]	17-27/32" [453mm]
21" [533mm]	21-15/16" [557mm]	21-9/16" [548mm]	10-9/32" [261mm]	20-3/8" [517mm]

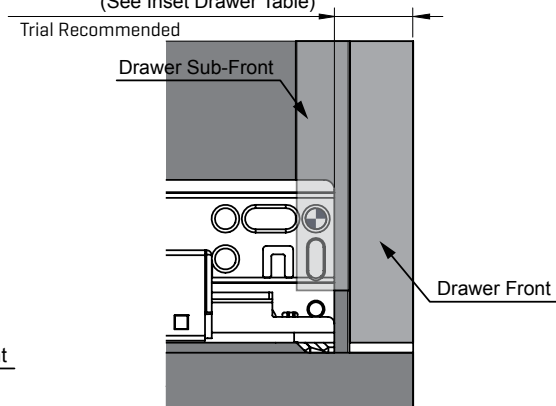


Setback Table for Standard & Inset Drawer Application

Runner Setback for Standard Drawer
(See Standard Drawer Table)



Runner Setback for Inset Drawer
(See Inset Drawer Table)



STANDARD DRAWER		X [DRILLING POSITION]
SUB-FRONT THICKNESS	1/2" [13mm]	1-11/32" [34mm]
	5/8" [16mm]	1-15/32" [37mm]
	3/4" [19mm]	1-18/32" [40mm]

INSET DRAWER		X [DRILLING POSITION]		
SUB-FRONT THICKNESS	1/2" [13mm]	1-31/32" [50mm]	2-3/32" [53mm]	2-7/32" [56mm]
	5/8" [16mm]	2-3/32" [53mm]	2-7/32" [56mm]	2-10/32" [59mm]
	3/4" [19mm]	2-7/32" [56mm]	2-10/32" [59mm]	2-14/32" [62mm]
		5/8" [16mm]	3/4" [19mm]	7/8" [22mm]
Drawer Front Thickness				



KNAPE & VOGT

2700 Oak Industrial Dr. NE Grand Rapids, MI 49505-6026
1.800.253.1561 | www.kv.com

Knap & Vogt reserves the right to change product specifications at any time without notice and without incurring responsibility for existing units.

©2023 Knap & Vogt. KV and the KV logo are trademarks of Knap & Vogt.

0L3224/0423



SCAN OR VISIT WWW.KV.COM
FOR MORE INFORMATION