



# P992 Roll Ezy

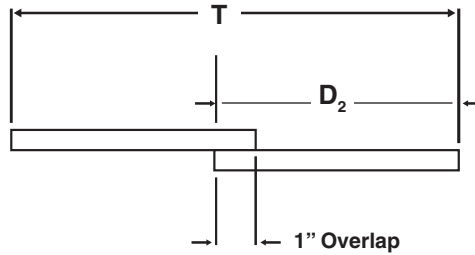
Ball Bearing Track for 1/4" Thick Glass Sliding Doors

## Features:

- Ideal for larger door installations.
- Available prepackaged for 36", 48", 60", and 72" openings.
- Ball bearing carrier has free-rolling balls on 3-inch centers.
- Wide divider on upper channel maintains door position.
- Zinc coated upper and lower channels.
- Components easily cut to fit any opening to 12'.

## #995 Shoe & #997 Ball Carrier Sizing:

### 2 Door System

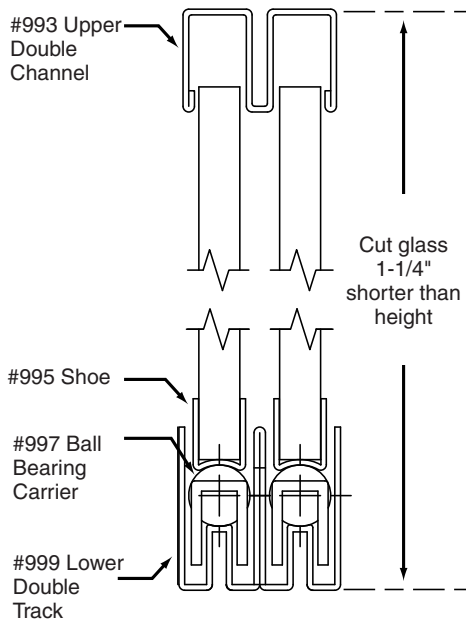


$D2 = T/2 + 1/2"$   
 $D2 = \text{DOOR WIDTH (IN.)}$   
 $T = \text{TOTAL WIDTH OF OPENING (IN.)}$   
 $\#995 \text{ SHOE LENGTH} = D2$

#997 BALL CARRIER LENGTH=

$$\left( \frac{T - D2}{2} \right) + D2$$

### 2 Door System



| Description              | Part No. | Size                     | Length |
|--------------------------|----------|--------------------------|--------|
| Upper Double Channel     | #993     | 5/8"H x 15/16"W          | 12'    |
| Shoe (1 per Door)        | #995     | (For 1/4" glass) 7/16" H | 12'    |
| Ball Center (1 per Door) | #997     |                          | 12'    |
| Lower Double Track       | #999     | 1"H x 1" W               | 12'    |