



# BI-FOLD DOORS



**Classic door hardware for bi-fold doors.  
Simple to install. Built to last.**

Knape and Vogt offers a wide range of bi-fold door hardware sets for simple installations of 20-125 lb closet, pantry, and room dividing doors.

Bi-Fold Series Overview . . . . .	4
BIF-20S . . . . .	6
BIF-30S . . . . .	10
BIF-50S   50A . . . . .	14
BIF-75A . . . . .	20
BIF-100A . . . . .	24
BIF-125A . . . . .	28
Components . . . . .	32
Competitor Cross-Reference . . . . .	35



# BI-FOLD SERIES OVERVIEW

## BIF BI-FOLD

### Naming Structure

BIF-20S-2D-3

1	2	3	4	5
Bi-Fold	Door Weight	Track Type	Door Quantity	Opening
BIF	20	S (Steel)	2D (2 Door)	3'
	30	A (Aluminum)	4D (4 Door)	4'
	50			5'
	75			6'
	100			8'
	125			

PB-BIF-20-2

1	2	3	4
Part Bag	Bi-Fold	Door Weight	Door Quantity
PB	BIF	20	2 (2 Door)
		30	4 (4 Door)
		50	
		75	
		100	
		125	

BK = Bulk

PB = Part Bag

### Ordering Instructions

Once the series of sliding door hardware has been identified by confirming your project's door weight and the door thickness, the next step is to go to the series page.

**Option 1: Complete Package Sets**  
Order a package set that has your required door opening length. The package set includes the noted track length and hardware for installation, along with installation instructions.

**Option 2: Tracks and Parts Bags**  
Order from the Tracks and Part Bags section. Choose the correct track length. Most tracks may be cut-to-size

in the field. Then choose the correct part bag based on the number of panel doors. Installation instructions are included in each part bag.

#### Individual Components

Bulk components for accessory options or replacement parts are available.

## Series Overview Matrix

		BI-FOLD						
		BIF-20S	BIF-30S	BIF-50S	BIF-50A	BIF-75A	BIF-100A	BIF-125A
Light	20 lb	•						
	30 lb		•					
	50 lb			•	•			
Standard	60 lb							
	75 lb					•		
	100 lb						•	
Heavy Duty	125 lb							•
	150 lb							
	175 lb							
	250 lb							
	275 lb							
Track		8001	9001	1599	1601	2001	2001	1801
Steel		•	•	•				
Aluminum					•	•	•	•
Fascia								
Non-Fascia		•	•	•	•	•	•	•
Type	Box	•	•	•	•	•	•	•
	Double J							
	I-Beam							
Min. Door Thickness	3/4"	•	•	•	•			
	7/8"	•	•	•	•			
	1"	•	•	•	•			
	1-1/8"	•	•	•	•			•
	1-3/8"	•	•	•	•	•	•	•
	1-3/4"	•	•	•	•	•	•	•
Carrier		Top pivot guide	Top pivot guide	1606-QR 4-wheel BB	1606-QR 4-wheel BB	2004 4-wheel	2004-BB 4-wheel	1820 4-wheel BB

This product overview matrix shows the seven hardware series in Knappe and Vogt's bi-folding door category at a glance. Using the matrix, you can compare each series to help you choose the one that will fit best for your project. Go to the series pages for more in-depth information including tracks, parts bags and components.

# BIF-20S Series

## Steel track hardware for 20 lb bi-fold doors.



2 Door  
2 x Door Width + 1/2"

4 Door  
4 x Door Width + 1"

Hardware for light-weight two and four panel bi-fold doors. The BIF-20S series is ideal for 20 lb bi-fold doors used for residential interior closets and pantries.

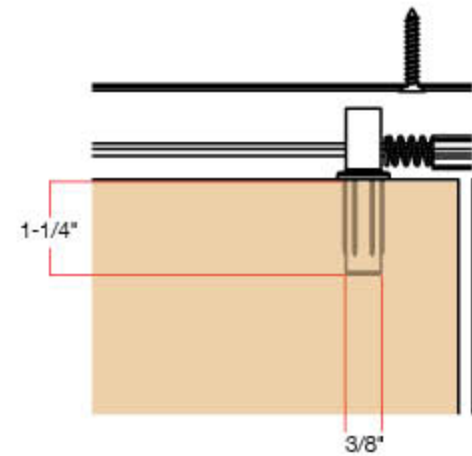
Door thickness: 3/4" to 1-3/4"

Load rating: Up to 20 lbs per panel (bi-fold)

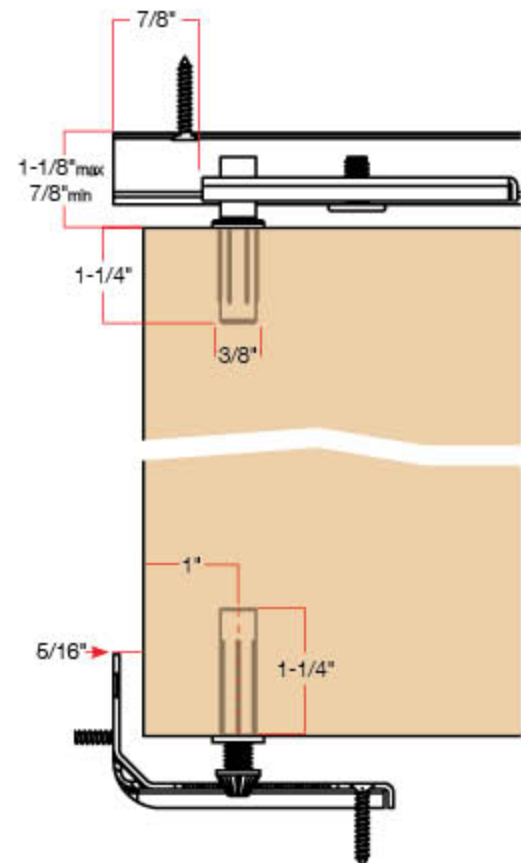
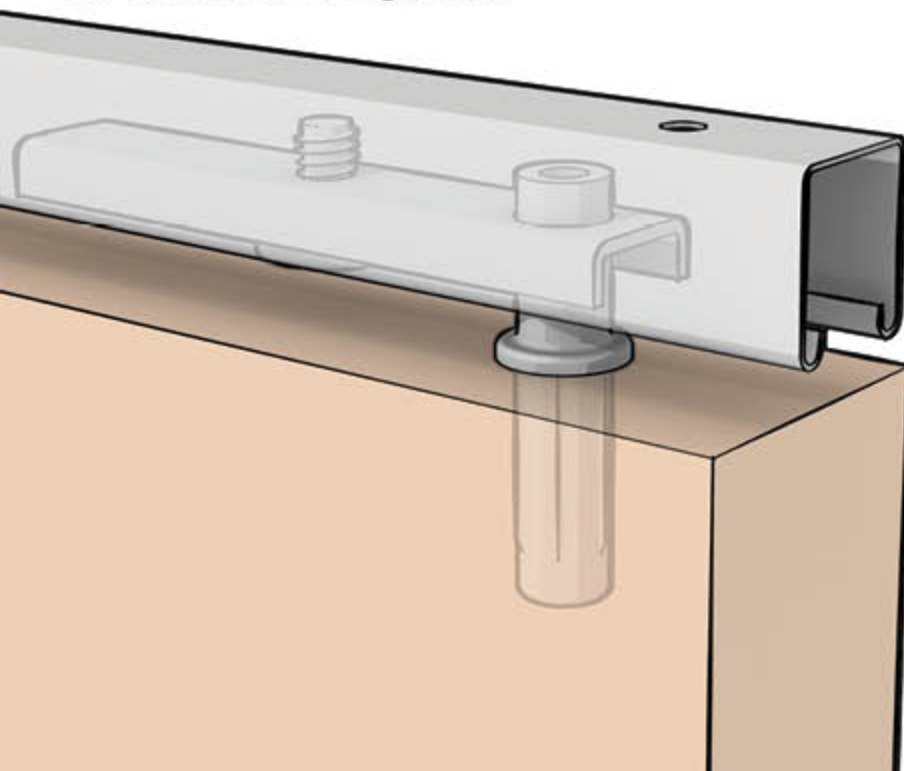
Track: White steel box track

Compares to: Hettich/Grant 1500, Johnson 1825, 1838, Stanley BF20

Conforms to: ANSI/BHMA A156.14-2007  
Grade 3, D8623



### BIF-20S series configuration





## Packaged Sets

SKU	Door Panel Configuration	Pack Qty	Pack Qty Weight (Lb)
BIF-20S-2D-3	2 x 18" doors	5	10
BIF-20S-4D-4	4 x 12" doors	10	22
BIF-20S-4D-5	4 x 15" doors	10	23
BIF-20S-4D-6	4 x 18" doors	10	25
BIF-20S-4D-8	4 x 24" doors	10	30

Hardware Contents	BIF-20S-2D-3	BIF-20S-4D-4	BIF-20S-4D-5	BIF-20S-4D-6	BIF-20S-4D-8
Track	8002-36*	8004-48*	8004-60*	8004-72*	8004-96*
Track pivot assembly-8681	1	2	2	2	2
Bottom jamb bracket-8268	1	2	2	2	2
Bottom pivot-7768	1	2	2	2	2
Top pivot and top guide-8000-TP	2	4	4	4	4
Snubber-8816-21	1	-	-	-	-
Snubber-8816-22	-	1	1	1	1
Hinge-8220-ZC	2	4	4	4	4
Wood knob-1558-R	1	2	2	2	2
Aligner-1559	-	2	2	2	2
Screws	Yes	Yes	Yes	Yes	Yes



BIF-20S-2D



BIF-20S-4D

## Tracks

SKU	Description	Pack Qty	Pack Qty Weight (Lb)
BK-8002-36	36" Steel track for 2 panels	30	20
BK-8002-48	48" Steel track for 2 panels	30	25
BK-8002-60	60" Steel track for 2 panels	30	30
BK-8004-48	48" Steel track for 4 panels	30	26
BK-8004-60	60" Steel track for 4 panels	30	31
BK-8004-72	72" Steel track for 4 panels	30	37
BK-8004-96	96" Steel track for 4 panels	30	43

Note: BK-8002 track includes one track pivot assembly 8681 for two door applications.  
BK-8004 track includes two track pivot assemblies 8681 for four door applications.



## Part Bags

SKU	Door Panels	Pack Qty	Pack Qty Weight (Lb)
PB-BIF-20-2	2	10	6
PB-BIF-20-4	4	10	12

Hardware Contents	PB-BIF-20-2	PB-BIF-20-4
Bottom jamb bracket-8268	1	2
Bottom pivot-7768	1	2
Top pivot and top guide-8000-TP	2	4
Snubber-8816-21	1	-
Snubber-8816-22	-	1
Wood knob-1558-R	1	2
Aligner-1559	-	2
Hinge-8220-ZC	2	4
Screws	Yes	Yes



PB-BIF-20-2



PB-BIF-20-4

## Components

SKU	Description	Pack Qty	Pack Qty Weight (Lb)
BK-7768	Bottom pivot	20	1
BK-8000-TP	Top pivot and top guide	20	1
BK-8220-ZC	Hinges with screws	600	54
BK-8816-21	Snubber for use with 2 panel doors	20	1
BK-8816-22	Snubber for use with 4 panel doors	20	1
PB-1558	Wood knob	24	1
PB-1559	Aligner	20	2
PB-8268	Bottom jamb bracket w/ screws	50	4
PB1064-26DA	Folding door lock, nickel, keyed alike	5	2
PB1064-US26D	Folding door lock, nickel, keyed different	5	2
PB1064-US3	Folding door lock, brass, keyed different	5	2
PB1064-US3A	Folding door lock, brass, keyed alike	5	2



BK-7768



BK-8000-TP



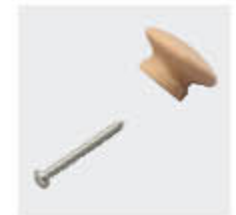
BK-8220-ZC



BK-8816-21



BK-8816-22



PB-1558



PB-1559



PB-8268



PB1064-26DA



PB1064-US26D



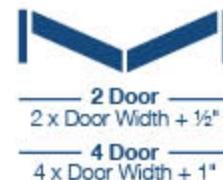
PB1064-US3



PB1064-US3A

# BIF-30S Series

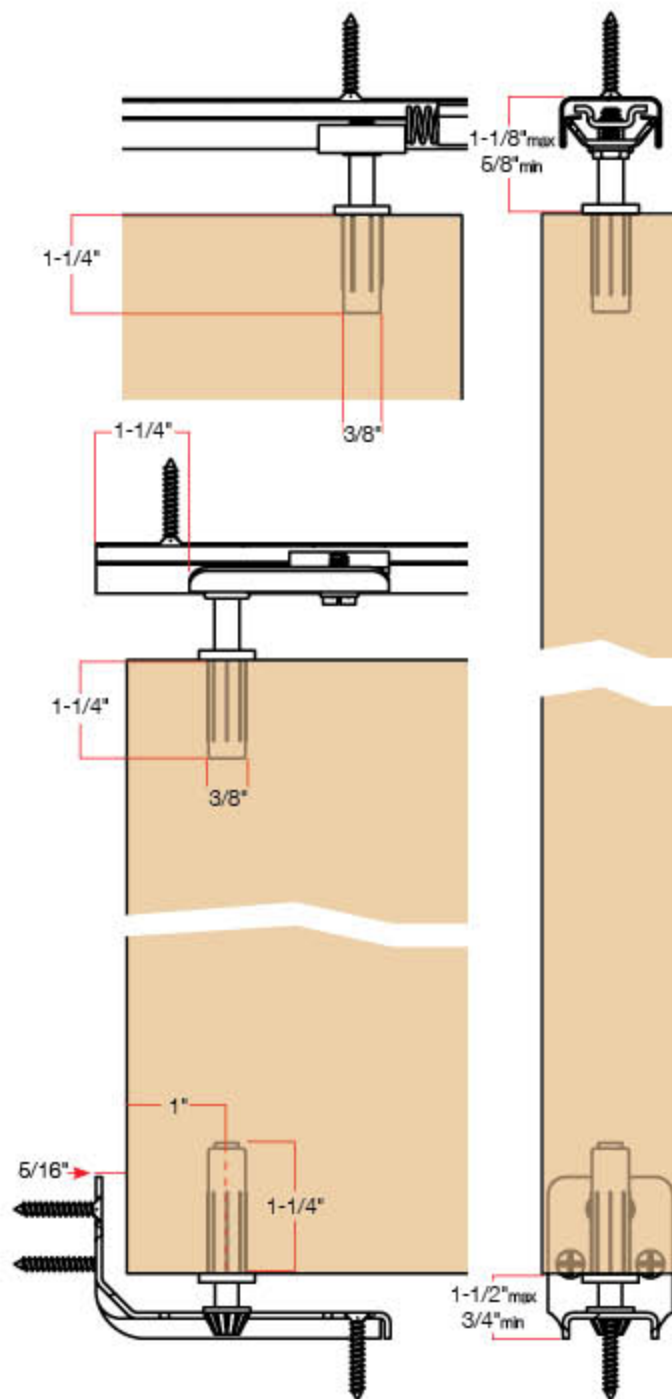
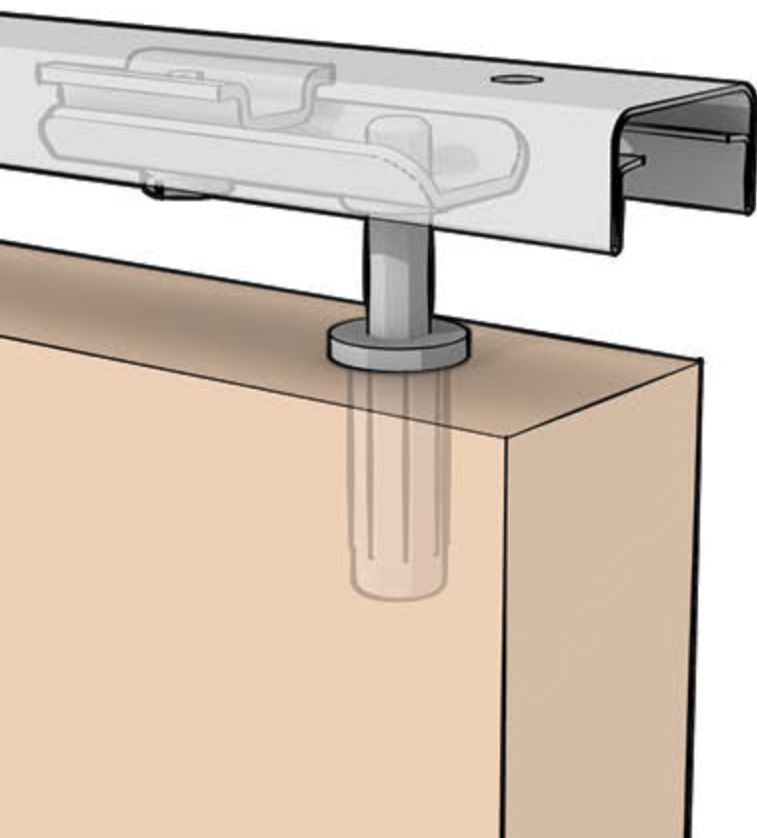
## Steel track hardware for 30 lb bi-fold doors.



Hardware for lighter-weight two and four panel bi-fold doors. The BIF-30S series is ideal for 30 lb bi-fold doors used for residential interior closets, pantries, and room dividers.

- Door thickness: 3/4" to 1-3/4"
- Load rating: Up to 30 lbs per panel (bi-fold)
- Track: White steel box track
- Compares to: Hettich/Grant1500, Johnson 1825, 1838, Stanley BF30
- Conforms to: ANSI/BHMA A156.14-2007 Grade 2, D8622, D8623

### BIF-30S series configuration





## Packaged Sets

SKU	Door Panel Configuration	Pack Qty	Pack Qty Weight (Lb)
BIF-30S-2D-3	2 x 18" doors	5	10
BIF-30S-4D-4	4 x 12" doors	5	16
BIF-30S-4D-5	4 x 15" doors	5	17
BIF-30S-4D-6	4 x 18" doors	5	18
BIF-30S-4D-8	4 x 24" doors	5	20

Hardware Contents	BIF-30S-2D-3	BIF-30S-4D-4	BIF-30S-4D-5	BIF-30S-4D-6	BIF-30S-4D-8
Track	9002-36"	9004-48"	9004-60"	9004-72"	9004-96"
Track pivot assembly-8473	1	2	2	2	2
Bottom jamb bracket-8268	1	2	2	2	2
Bottom pivot-7768	1	2	2	2	2
Top pivot guide-8404-JS	1	2	2	2	2
Top pivot-8402-JS	1	2	2	2	2
Snubber-8049-2	1	-	-	-	-
Snubber-8049-4	-	1	1	1	1
Hinge-8220-ZC	3	6	6	6	6
Wood knob-1558-R	1	2	2	2	2
Aligner-1559-ZN	-	2	2	2	2
Screws	Yes	Yes	Yes	Yes	Yes



BIF-30S-2D



BIF-30S-4D

## Tracks

SKU	Description	Pack Qty	Pack Qty Weight (Lb)
BK-9002-24	24" Low profile steel track for 2 panels	32	15
BK-9002-28	28" Low profile steel track for 2 panels	32	18
BK-9002-30	30" Low profile steel track for 2 panels	32	19
BK-9002-36	36" Low profile steel track for 2 panels	32	23
BK-9004-36	36" Low profile steel track for 4 panels	32	24
BK-9004-48	48" Low profile steel track for 4 panels	32	31
BK-9004-60	60" Low profile steel track for 4 panels	32	38
BK-9004-72	72" Low profile steel track for 4 panels	32	46
BK-9004-84	84" Low profile steel track for 4 panels	32	54
BK-9004-96	96" Low profile steel track for 4 panels	32	61

Note: BK-9002 track includes one track pivot assembly 8473 for two door applications.  
BK-9004 track includes two track pivot assemblies 8473 for four door applications.



## Part Bags

SKU	Door Panels	Pack Qty	Pack Qty Weight (Lb)
PB-BIF-30-2	2	10	6
PB-BIF-30-4	4	10	12

Hardware Contents	PB-BIF-30-2	PB-BIF-30-4
Bottom jamb bracket-8268	1	2
Bottom pivot-7768	1	2
Top pivot guide-8404-JS	1	2
Top pivot-8402-JS	1	2
Snubber-8049-2	1	-
Snubber-8049-4	-	1
Wood knob-1558-R	1	2
Aligner-1559-ZN	-	2
Hinge-8220-ZC	3	6
Screws	Yes	Yes



PB-BIF-30-2



PB-BIF-30-4

## Components

SKU	Description	Pack Qty	Pack Qty Weight (Lb)
BK-7768	Bottom pivot	20	1
BK-8049-2	Snubber for use with 2 panel doors	20	1
BK-8049-4	Snubber for use with 4 panel doors	20	1
BK-8220-ZC	Hinges with screws	600	54
BK-8402-JS	Top pivot	50	2
BK-8404-JS	Top pivot guide	50	3
PB-1558	Wood knob	24	1
PB-1559	Aligner	20	2
PB-8268	Bottom jamb bracket w/ screws	50	4
PB1064-26DA	Folding door lock, nickel, keyed alike	5	2
PB1064-US26D	Folding door lock, nickel, keyed different	5	2
PB1064-US3	Folding door lock, brass, keyed different	5	2
PB1064-US3A	Folding door lock, brass, keyed alike	5	2



BK-7768



BK-8049-2



BK-8049-4



BK-8220-ZC



BK-8402-JS



BK-8404-JS



PB-1558



PB-1559



PB-8268



PB1064-26DA



PB1064-US26D



PB1064-US3



PB1064-US3A



# BIF-50S | 50A Series

## Steel or Aluminum track hardware for 50 lb bi-fold doors.

Hardware for medium to light-weight two and four panel bi-fold doors. The BIF-50S (steel track) and 50A (aluminum track) series are ideal for 50 lb bi-fold doors used for residential interior closets and pantries.

Door thickness: 3/4" to 1-3/4"

Load rating: Up to 50 lbs per panel (bi-fold)

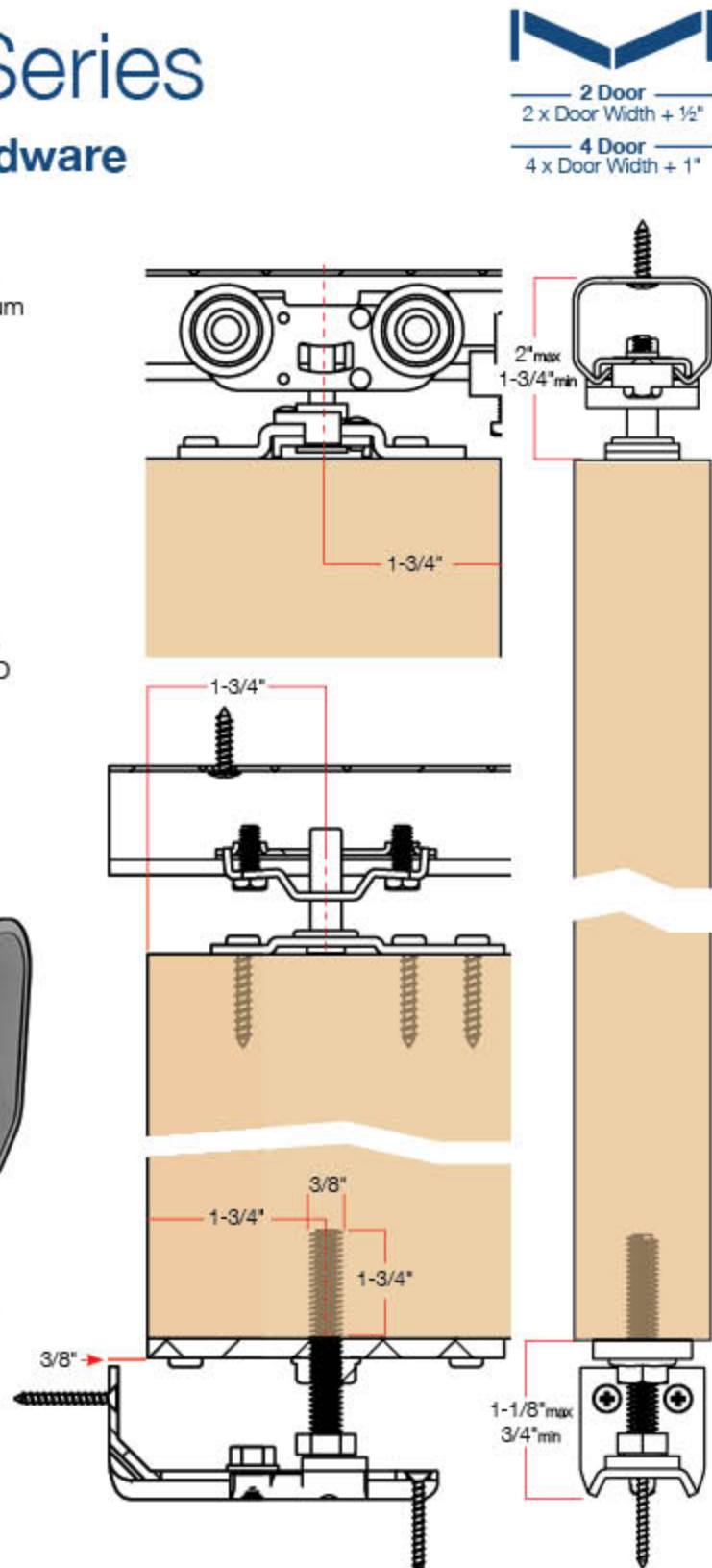
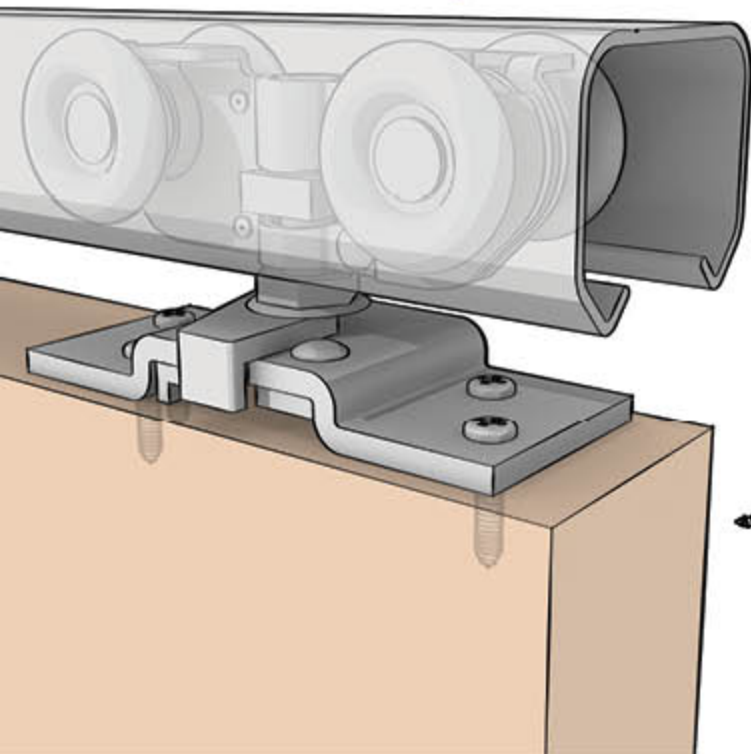
Track: 50S steel box track;  
50A aluminum box track

Carrier: 4-wheel ball bearing

Compares to: Hettich/Grant 1600, Johnson 170A,  
1700, 1770, 1718, 1734, 1738, IIFD  
Stanley BF50

Conforms to: ANSI/BHMA A156.14-2007  
Grade 1, D8621, D8622, D8623

### BIF-50S/50A series configuration





## BIF-50S Packaged Sets

SKU	Door Panel Configuration	Pack Qty	Pack Qty Weight (Lb)
BIF-50S-2D-3	2 x 18" doors	5	15
BIF-50S-4D-4	4 x 12" doors	5	23
BIF-50S-4D-6	4 x 18" doors	5	27
BIF-50S-4D-8	4 x 24" doors	5	32

Note: Packaged sets are for 1-3/8" to 1-3/4" thick doors. For 3/4" to 1-1/8" door thicknesses, order individual tracks and part bags PB-BIF-60-2ND for two door applications and PB-BIF-60-4ND for four door applications.

Hardware Contents	BIF-50S-2D-3	BIF-50S-4D-4	BIF-50S-4D-6	BIF-50S-4D-8
Track-1599	35"	47"	71"	95"
Quick release top mount plate-1800-DBA	1	2	2	2
Aligner-1559	-	2	2	2
Wood knob-1558-R	1	2	2	2
Pivot pin plate-8582	1	2	2	2
4-wheel ball bearing carriers-1606-QR	1	2	2	2
Heavy-duty pivot assembly-3313	1	2	2	2
Hinge-8220-ZC	3	6	6	6
Door guide plate-3179	1	2	2	2
Adjusting screw assembly-1500-BPASA	1	2	2	2
Snugger-0815	1	2	2	2
Jamb bracket assembly-8643	1	2	2	2
Wrench-8665	1	1	1	1
Screws	Yes	Yes	Yes	Yes



BIF-50S-2D



BIF-50S-4D

## BIF-50A Packaged Sets

SKU	Door Panel Configuration	Pack Qty	Pack Qty Weight (Lb)
BIF-50A-2D-3	2 x 18" doors	5	15
BIF-50A-4D-4	4 x 12" doors	5	25
BIF-50A-4D-6	4 x 18" doors	5	29
BIF-50A-4D-8	4 x 24" doors	5	33

Note: Packaged sets are for 1-3/8" to 1-3/4" thick doors. For 3/4" to 1-1/8" door thicknesses, order individual tracks and part bags PB-BIF-60-2ND for two door applications and PB-BIF-60-4ND for four door applications.

Hardware Contents	BIF-50A-2D-3	BIF-50A-4D-4	BIF-50A-4D-6	BIF-50A-4D-8
Track-1601	35"	47"	71"	96"
Quick release top mount plate-1800-DBA	1	2	2	2
Aligner-1559	-	2	2	2
Wood knob-1558-R	1	2	2	2
Pivot pin plate-8582	1	2	2	2
4-wheel ball bearing carriers-1606-QR	1	2	2	2
Heavy-duty pivot assembly-3313	1	2	2	2
Hinge-8220-ZC	3	6	6	6
Door guide plate-3179	1	2	2	2
Adjusting screw assembly-1500-BPASA	1	2	2	2
Snugger-0815	1	2	2	2
Jamb bracket assembly-8643	1	2	2	2
Wrench-8665	1	1	1	1
Screws	Yes	Yes	Yes	Yes



BIF-50A-2D



BIF-50A-4D

## BIF-50S Steel Tracks

SKU	Description	Pack Qty	Pack Qty Weight (Lb)
BK-1599-Z35	35" steel track	20	20
BK-1599-Z47	47" steel track	20	27
BK-1599-Z55	55" steel track	20	38
BK-1599-Z59	59" steel track	20	40
BK-1599-Z63	63" steel track	20	44
BK-1599-Z71	71" steel track	20	49
BK-1599-Z95	95" steel track	10	32
BK-1599-Z119	119" steel track	10	40
BK-1599-Z143	143" steel track	10	48



## BIF-50A Aluminum Tracks

SKU	Description	Pack Qty	Pack Qty Weight (Lb)
BK-1601-35	35" aluminum track	10	8
BK-1601-47	47" aluminum track	10	11
BK-1601-55	55" aluminum track	10	13
BK-1601-59	59" aluminum track	10	14
BK-1601-71	71" aluminum track	10	17
BK-1601-96	96" aluminum track	10	22
BK-1601-120	120" aluminum track	10	28
BK-1601-144	144" aluminum track	10	32
BK-1601-192	192" aluminum track	10	42





## Part Bags

SKU	Door Panels	Door Thickness	Pack Qty	Pack Qty Weight (Lb)
PB-BIF-50-2	2	1-3/8" to 1-3/4"	10	14
PB-BIF-50-4	4	1-3/8" to 1-3/4"	10	29
PB-BIF-50-2ND (Narrow Door)	2	3/4" to 1-1/8"	10	12
PB-BIF-50-4ND (Narrow Door)	4	3/4" to 1-1/8"	10	27

Hardware Contents	PB-BIF-50-2	PB-BIF-50-4	PB-BIF-50-2ND	PB-BIF-50-4ND
Door thickness	1-3/8" to 1-3/4" Doors		3/4" to 1-1/8" Narrow doors	
Snugger-0815	1	2	1	2
Jamb bracket-8634	1	2	1	2
Wrench-8665	1	1	1	1
Door guide plate-3179	1	2	-	-
Door guide plate-3179-ZNND	-	-	1	2
Adjustment screw assembly-1500-BPASA	1	2	1	2
Pivot pin plate assembly-8582	1	2	1	2
Quick release top mount plate-1800-DBA	1	2	-	-
Top mount plate-1407-TMND	-	-	1	2
Wood knob-1558-R	1	2	1	2
Aligner-1559	-	2	-	2
4-wheel ball bearing carrier-1606-QR	1	2	-	-
4-wheel carrier-1572-N	-	-	1	2
Heavy-duty pivot assembly-3313	1	2	1	2
Hinge-8220-ZC	3	6	-	-
Hinge-8210	-	-	3	6
Screws	Yes	Yes	Yes	Yes



PB-BIF-50-2



PB-BIF-50-4



PB-BIF-50ND-4



## Components

SKU	Description	Pack Qty	Pack Qty Weight (Lb)
BK-0815	Stop, snigger	20	1
BK-1606-QR	4 wheel ball bearing carrier, 7/8" diameter wheels	20	4
BK-1800-DBA	Quick release top mount plate	20	2
BK-1922-144	Bottom track	5	15
BK-1922-96	Bottom track	5	10
BK-8220-ZC	Hinge w/ screws	600	54
PB-1558	Wood knob with screw	24	1
PB-1559	Aligner 1 pair	20	2
PB-1618	Top and bottom pivot assemblies	10	5
PB-1921	Roller guide	20	5
PB1064-26DA	Folding door lock, nickel, keyed alike	5	2
PB1064-US26D	Folding door lock, nickel, keyed different	5	2
PB1064-US3	Folding door lock, brass, keyed different	5	2
PB1064-US3A	Folding door lock, brass, keyed alike	5	2



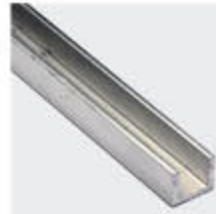
BK-0815



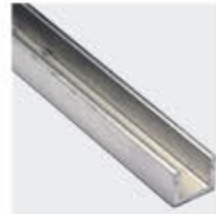
BK-1606-QR



BK-1800-DBA



BK-1922-144



BK-1922-96



BK-8220-ZC



PB-1558



PB-1559



PB-1618



PB-1921



PB1064-26DA



PB1064-US26D



PB1064-US3



PB1064-US3A

# BIF-75A Series

## Aluminum track hardware for 75 lb bi-fold doors.

Hardware for medium-weight two and four panel bi-fold doors. The BIF-75A series is ideal for 75 lb bi-fold doors used for commercial and residential interior closets and pantries.

Door thickness: 1-3/8" to 1-3/4"

Load rating: Up to 75 lbs per panel (bi-fold)

Track: Aluminum box track

Carrier: 4-wheel low friction bearing

Compares to: Johnson 100FD

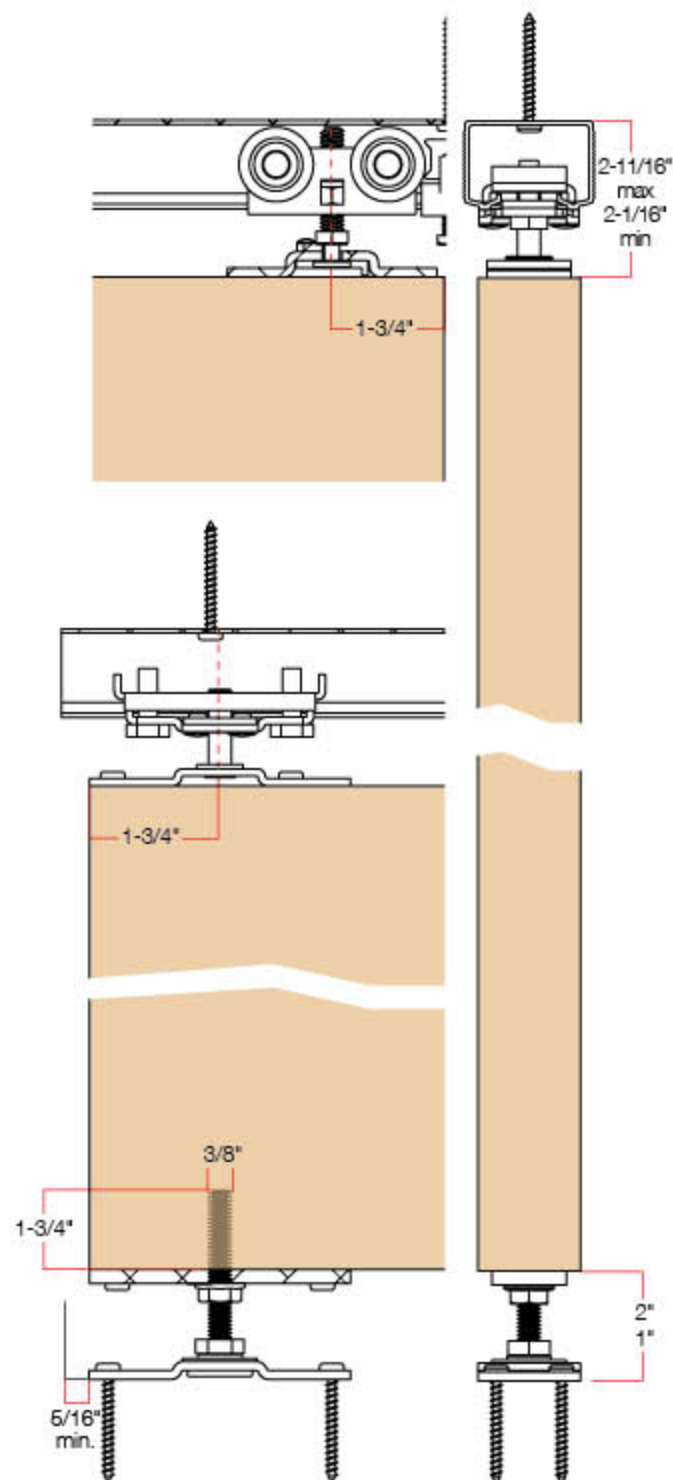
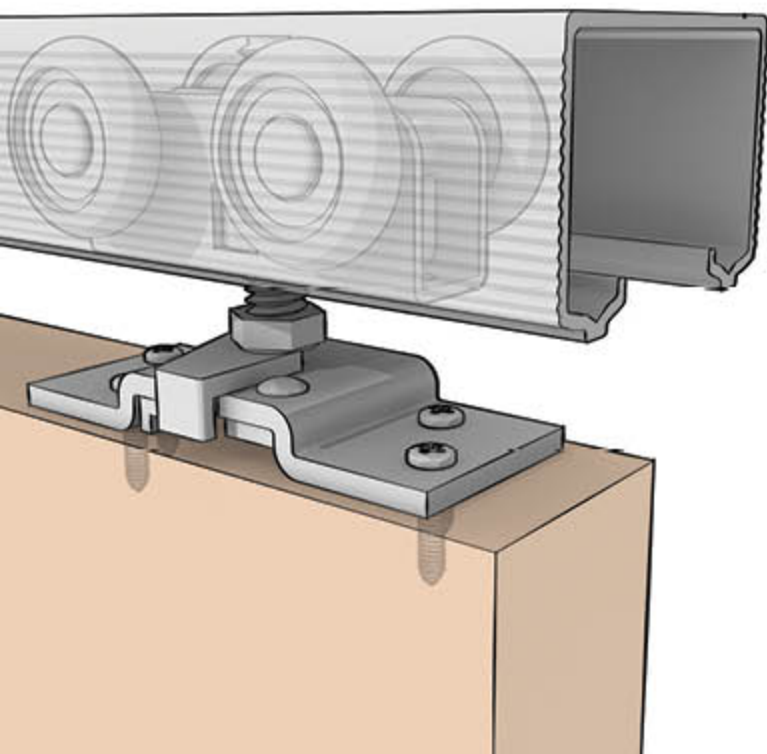
Conforms to: ANSI/BHMA A156.14-2007  
Grade 1, D8621, D8622, D8623



2 Door  
2 x Door Width + 1/2"

4 Door  
4 x Door Width + 1"

### BIF-75A series configuration



## Packaged Sets

SKU	Door Panel Configuration	Pack Qty	Pack Qty Weight (Lb)
BIF-75A-2D-3	2 x 18" doors	5	14
BIF-75A-4D-4	4 x 12" doors	5	23
BIF-75A-4D-5	4 x 15" doors	5	25
BIF-75A-4D-6	4 x 18" doors	5	28
BIF-75A-4D-8	4 x 24" doors	5	31

Hardware Contents	BIF-75A-2D-3	BIF-75A-4D-4	BIF-75A-4D-5	BIF-75A-4D-6	BIF-75A-4D-8
Track-2001	36"	47"	59"	71"	96"
Snugger-0815	1	2	2	2	2
Aligner-1559	-	2	2	2	2
Floor plate-1818-FPA	1	2	2	2	2
Track pivot bracket assembly-1800-TPBA	1	2	2	2	2
Door pivot bracket assembly-1800-DPBA	1	2	2	2	2
Quick release top mount plate-1800-DBA	1	2	2	2	2
Wrench-8710	1	1	1	1	1
Adjustment screw assembly-1800-BASAA	1	2	2	2	2
Top plate-1900-8570	1	2	2	2	2
4-wheel carrier-2004	1	2	2	2	2
Screws	Yes	Yes	Yes	Yes	Yes



BIF-75A-2D



BIF-75A-4D



## Tracks

SKU	Description	Pack Qty	Pack Qty Weight (Lb)
BK-2001-35	35" Aluminum box track	10	10
BK-2001-47	47" Aluminum box track	10	14
BK-2001-59	59" Aluminum box track	10	17
BK-2001-71	71" Aluminum box track	10	20
BK-2001-96	96" Aluminum box track	10	28
BK-2001-144	144" Aluminum box track	10	42



## Part Bags

SKU	Door Panels	Pack Qty	Pack Qty Weight (Lb)
PB-BIF-75-2	2	10	15
PB-BIF-75-4	4	10	28

Hardware Contents	PB-BIF-75-2	PB-BIF-75-4
Snugger-0815	1	2
Aligner-1559	-	2
Floor plate-1818-FPA	1	2
Track pivot bracket assembly-1800-TPBA	1	2
Door pivot bracket assembly-1800-DPBA	1	2
Quick release top mount plate-1800-DBA	1	2
Wrench-8710	1	1
Adjustment screw assembly-1800-BASAA	1	2
Top plate-1900-8570	1	2
4-wheel carrier-2004	1	2
Screws	Yes	Yes



PB-BIF-75-2



PB-BIF-75-4

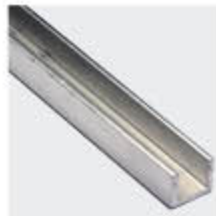


## Components

SKU	Description	Pack Qty	Pack Qty Weight (Lb)
BK-0815	Stop, snugger	20	1
BK-1922-144	Bottom track	5	15
BK-1922-96	Bottom track	5	10
PB-1558	Wood knob with screw	24	1
PB-1559	Aligner 1 pair	20	2
PB-1828	Top and bottom pivot assemblies	10	9
PB-1921	Roller guide	20	5
PB-2004	4-wheel carrier, 1" diam. wheels, quick release top mount plate-1800-DBA	20	4
PB1064-26DA	Folding door lock, nickel, keyed alike	5	2
PB1064-US26D	Folding door lock, nickel, keyed different	5	2
PB1064-US3	Folding door lock, brass, keyed different	5	2
PB1064-US3A	Folding door lock, brass, keyed alike	5	2



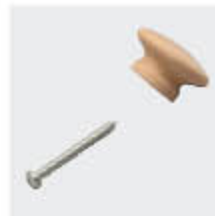
BK-0815



BK-1922-144



BK-1922-96



PB-1558



PB-1559



PB-1828



PB-1921



PB-2004



PB1064-26DA



PB1064-US26D



PB1064-US3



PB1064-US3A

# BIF-100A Series

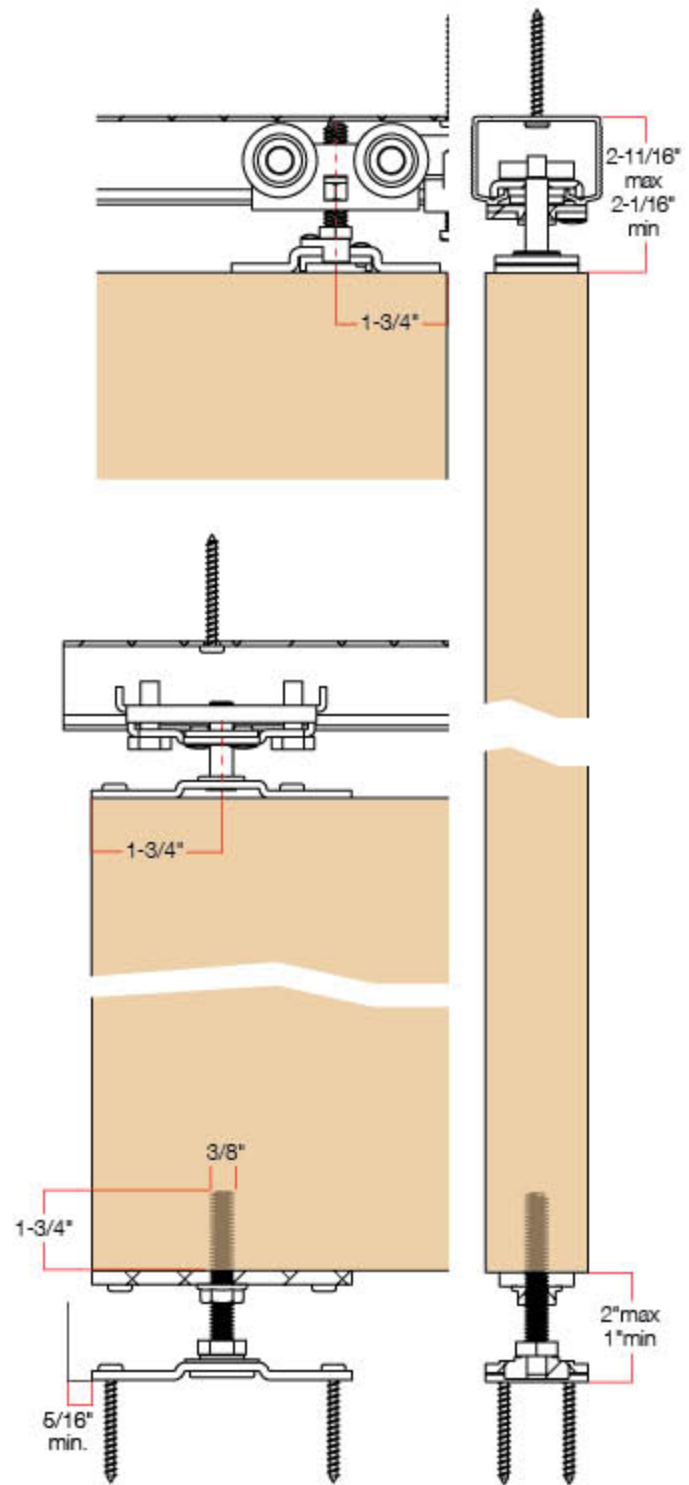
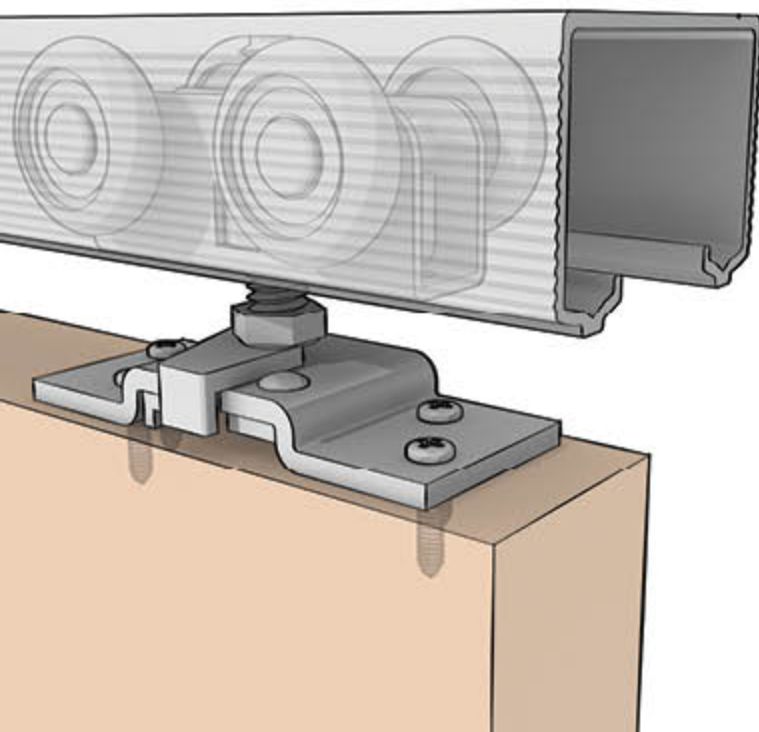
## Aluminum track hardware for 100 lb bi-fold doors.



Hardware for heavy-weight two and four panel bi-fold doors. The BIF-100A series is ideal for 100 lb bi-fold doors used for a variety of commercial and residential interior applications.

- Door thickness: 1-3/8" to 1-3/4"
- Load rating: Up to 100 lbs per panel (bi-fold)
- Track: Aluminum box track with ribbing
- Carrier: 4-wheel ball-bearing
- Compares to: Johnson 100FD
- Conforms to: ANSI/BHMA A156.14-2007  
 Grade 1, D8621, D8622, D8623

### BIF-100A series configuration



## Packaged Sets

SKU	Door Panel Configuration	Pack Qty	Pack Qty Weight (Lb)
BIF-100A-2D-3	2 x 18" doors	5	14
BIF-100A-4D-4	4 x 12" doors	5	23
BIF-100A-4D-5	4 x 15" doors	5	25
BIF-100A-4D-6	4 x 18" doors	5	28
BIF-100A-4D-8	4 x 24" doors	5	32

Hardware Contents	BIF-100A-2D-3	BIF-100A-4D-4	BIF-100A-4D-5	BIF-100A-4D-6	BIF-100A-4D-8
Track-2001	35"	47"	59"	71"	95"
Snugger-0815	1	2	2	2	2
Aligner-1559	–	2	2	2	2
Floor plate-1818-FPA	1	2	2	2	2
Track pivot bracket assembly-1800-TPBA	1	2	2	2	2
Door pivot bracket assembly-1800-DPBA	1	2	2	2	2
Quick release top mount plate-1800-DBA	1	2	2	2	2
Wrench-8710	1	1	1	1	1
Adjustment screw assembly-1800-BASAA	1	2	2	2	2
Top plate-1900-8570	1	2	2	2	2
4-wheel ball bearing carrier-2004-BB	1	2	2	2	2
Screws	Yes	Yes	Yes	Yes	Yes



BIF-100A-2D



BIF-100A-4D



## Tracks

SKU	Description	Pack Qty	Pack Qty Weight (Lb)
BK-2001-35	35" Aluminum box track	10	10
BK-2001-47	47" Aluminum box track	10	14
BK-2001-59	59" Aluminum box track	10	17
BK-2001-71	71" Aluminum box track	10	20
BK-2001-96	96" Aluminum box track	10	28
BK-2001-144	144" Aluminum box track	10	42



## Part Bags

SKU	Door Panels	Pack Qty	Pack Qty Weight (Lb)
PB-BIF-100-2	2	10	15
PB-BIF-100-4	4	10	28

Hardware Contents	PB-BIF-100-2	PB-BIF-100-4
Snugger-0815	1	2
Aligner-1559	–	2
Floor plate-1818-FPA	1	2
Track pivot bracket assembly-1800-TPBA	1	2
Door pivot bracket assembly-1800-DPBA	1	2
Quick release top mount plate-1800-DBA	1	2
Wrench-8710	1	1
Adjustment screw assembly-1800-BASAA	1	2
Top plate-1900-8570	1	2
4-wheel ball bearing carrier-2004-BB	1	2
Screws	Yes	Yes



PB-BIF-100-2



PB-BIF-100-4



## Components

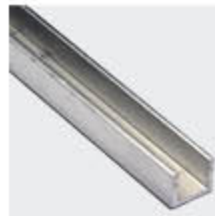
SKU	Description	Pack Qty	Pack Qty Weight (Lb)
BK-0815	Snugger	20	2
BK-1922-144	Bottom track	5	15
BK-1922-96	Bottom track	5	10
PB-1558	Wood knob with screw	24	1
PB-1559	Aligner 1 pair	20	2
PB-1828	Top and bottom pivot assemblies	10	9
PB-1921	Roller guide	20	5
PB-2004-BB	4-wheel ball bearing carrier, 1" diam. wheels, quick release top mount plate-1800-DBA	10	3
PB1064-26DA	Folding door lock, nickel, keyed alike	5	2
PB1064-US26D	Folding door lock, nickel, keyed different	5	2
PB1064-US3A	Folding door lock, brass, keyed alike	5	2
PB1064-US3	Folding door lock, brass, keyed different	5	2



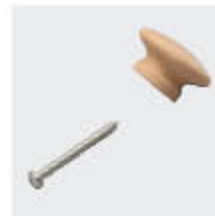
BK-0815



BK-1922-144



BK-1922-96



PB-1558



PB-1559



PB-1828



PB-1921



PB-2004-BB



PB1064-26DA



PB1064-US26D



PB1064-US3



PB1064-US3A

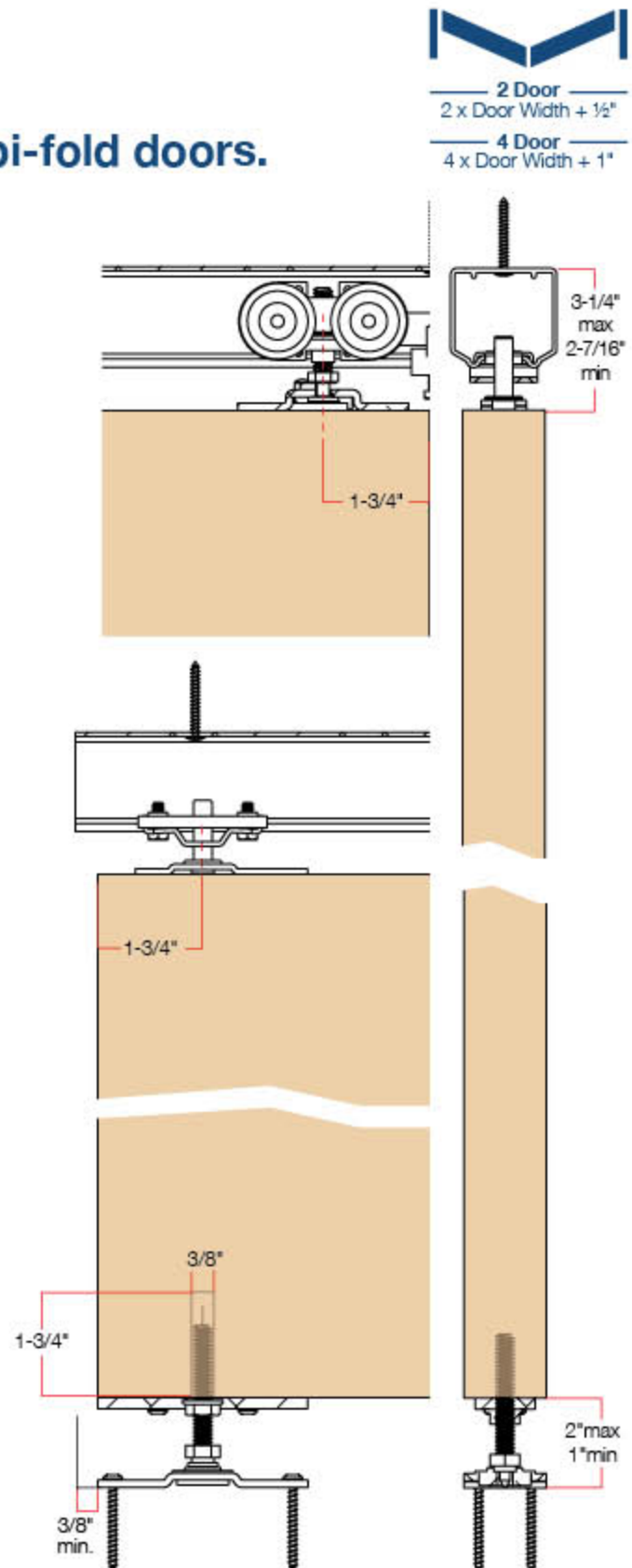
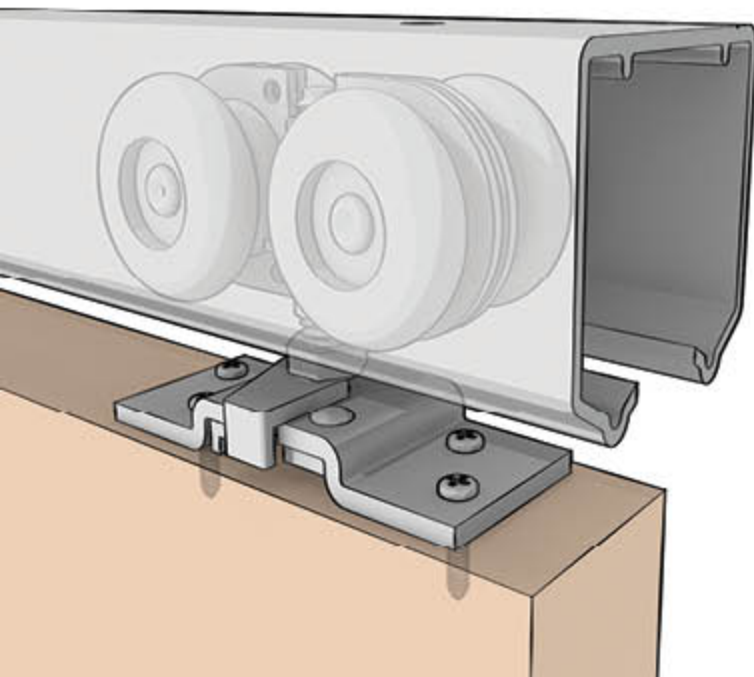
# BIF-125A Series

## Aluminum hardware for 125 lb bi-fold doors.

Hardware for heavy-weight two and four panel bi-fold doors. The BIF-125A series is ideal for 125 lb bi-fold doors used in a wide range of commercial and residential applications.

Door thickness:	1-1/8" to 1-3/4"
Load rating:	Up to 125 lbs per panel (bi-fold)
Track:	Aluminum box track
Carrier:	4-wheel ball-bearing
Compares to:	Hettich/Grant 1260, Johnson 200FD, Stanley BF125N
Conforms to:	ANSI/BHMA A156.14-2007 Grade 1, D8621, D8622, D8623

### BIF-125A series configuration



## Packaged Sets

SKU	Door Panel Configuration	Pack Qty	Pack Qty Weight (Lb)
BIF-125A-2D-3	2 x 18" doors	5	17
BIF-125A-4D-4	4 x 12" doors	5	27
BIF-125A-4D-5	4 x 15" doors	5	30
BIF-125A-4D-6	4 x 18" doors	5	32
BIF-125A-4D-8	4 x 24" doors	5	39

Hardware Contents	BIF-125A-2D-3	BIF-125A-4D-4	BIF-125A-4D-5	BIF-125A-4D-6	BIF-125A-4D-8
Track-1801	36"	48"	60"	72"	96"
Quick release top mount plate-1800-DBA	1	2	2	2	2
Wrench-8710	1	1	1	1	1
Adjustment screw assembly-1800-BASAA	1	2	2	2	2
Door pivot bracket assembly-1800-DPBA	1	2	2	2	2
Top plate-1900-8570	1	2	2	2	2
Aligner-1559	–	2	2	2	2
Track pivot bracket assembly-1800-TPBA	1	2	2	2	2
Snugger-0815	1	2	2	2	2
Floor plate-1818-FPA	1	2	2	2	2
4-wheel ball bearing carrier-1820	1	2	2	2	2
Screws	Yes	Yes	Yes	Yes	Yes



BIF-125A-2D



BIF-125A-4D



## Tracks

SKU	Description	Pack Qty	Pack Qty Weight (Lb)
BK-1801-48	48" Aluminum track	5	9
BK-1801-60	60" Aluminum track	5	12
BK-1801-72	72" Aluminum track	5	14
BK-1801-96	96" Aluminum track	5	19
BK-1801-120	120" Aluminum track	5	23
BK-1801-144	144" Aluminum track	5	28
BK-1801-192	192" Aluminum track	5	37



## Part Bags

SKU	Door Panels	Pack Qty	Pack Qty Weight (Lb)
PB-BIF-125-2	2	10	5
PB-BIF-125-4	4	10	10

Hardware Contents	PB-BIF-125-2	PB-BIF-125-4
Snugger-0815	1	2
Aligner-1559	-	2
Floor plate-1818-FPA	1	2
Track pivot bracket assembly-1800-TPBA	1	2
Door pivot bracket assembly-1800-DPBA	1	2
Quick release top mount plate-1800-DBA	1	2
Wrench-8710	1	1
Adjustment screw assembly-1800-BASAA	1	2
Top plate-1900-8570	1	2
4-wheel ball bearing carrier-1820	1	2
Screws	Yes	Yes



PB-BIF-125-2



PB-BIF-125-4



## Components

SKU	Description	Pack Qty	Pack Qty Weight (Lb)
BK-0815	Stop, snigger	20	2
BK-1800-DBA	Quick release top mount plate	20	2
BK-1820	4-wheel ball bearing carrier, 1-1/4" diameter wheels	20	6
BK-1922-144	Bottom track	5	15
BK-1922-96	Bottom track	5	10
PB-1558	Wood knob with screw	24	1
PB-1559	Aligner 1 pair	20	2
PB-1828	Top and bottom pivot assemblies	10	9
PB-1921	Roller guide	20	5
PB1064-26DA	Folding door lock, nickel, keyed alike	5	2
PB1064-US26D	Folding door lock, nickel, keyed different	5	2
PB1064-US3A	Folding door lock, brass, keyed alike	5	2
PB1064-US3	Folding door lock, brass, keyed different	5	2



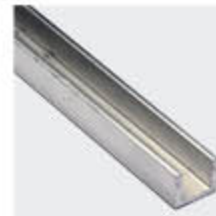
BK-0815



BK-1800-DBA



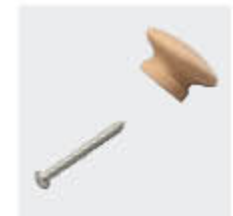
BK-1820



BK-1922-144



BK-1922-96



PB-1558



PB-1559



PB-1828



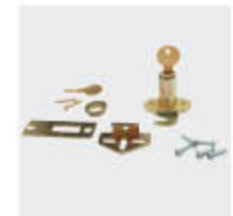
PB-1921



PB1064-26DA



PB1064-US26D



PB1064-US3



PB1064-US3A

# BI-FOLD COMPONENTS



**BK-0815 Snugger**

- **Materials:** Zinc plated steel and rubber
- **Notes:** Screws onto track.



**BK-7768 Bottom pivot**

- **Materials:** Steel with plastic sleeve
- **Notes:** Bottom pivot fits into jamb bracket.



**BK-1606-QR 4-wheel ball bearing carrier**

- **Materials:** Zinc with brass finish
- **Wheel:** 7/8" (22mm) diameter.
- **Notes:** Wheels self-align to allow consistent contact with track. Lubricated plastic wheels on steel shafts.



**BK-8000-TP Top pivot and top guide**

- **Materials:** Plastic
- **Notes:** Used as a pivot and guide.



**BK-1800-DBA Quick release top mount plate**

- **Materials:** Zinc plated steel
- **Notes:** Attached to door. Carrier attaches to plate. Quick release.



**BK-8049-2 Snubber**

- **Materials:** Plastic snubber body with steel spring
- **Notes:** Snaps into track at door jamb. For use with 2 panel doors.



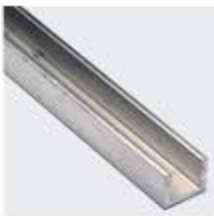
**BK-1820 4-wheel ball bearing carrier**

- **Materials:** Zinc plated steel
- **Wheel:** 1-1/4" (32mm) diameter
- **Notes:** Wheels self-align to allow consistent contact with track. Lubricated plastic wheels on steel shafts.



**BK-8049-4 Snubber**

- **Materials:** Plastic snubber body with steel spring
- **Notes:** Snaps into track between doors. For use with 4 panel doors.



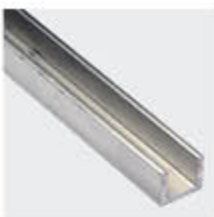
**BK-1922-144 Bottom track**

- **Materials:** Extruded aluminum
- **Channel:** 5/8" x 3/4" (16mm x 19mm)
- **Notes:** Screws not provided. Mortised into floor or surface mounted. Cut to length.



**BK-8220-ZC Hinges with screws**

- **Materials:** Steel with bright zinc finish
- **Dimensions:** 3" x 1" (76mm x 25mm)
- **Notes:** Hole locator is 1/2" (13mm) from center lines of holes to center of barrel. Non-mortise hinge.



**BK-1922-96 Bottom track**

- **Materials:** Extruded aluminum
- **Channel:** 5/8" x 3/4" (16mm x 19mm)
- **Notes:** Screws not provided. Mortised into floor or surface mounted. Cut to length.



**BK-8402-JS Top pivot**

- **Materials:** Steel and plastic
- **Notes:** Fits into track assembly.

**BK-8404-JS Top guide**

- **Materials:** Steel and plastic
- **Notes:** Glides across the track as a guide.

**PB-1828 Top and bottom pivot assemblies**

- **Includes:** Pivot pin plate (1800-DPBA); heavy duty pivot assembly (1800-TPBA); door guide plate (1900-8570); adjusting screw (1800-BASAA); floor plate (1818-FPA); snugger (0815); and aligner (1559)

**BK-8816-21 Snubber**

- **Materials:** Plastic snubber body with steel spring
- **Notes:** Snaps into track at door jamb. For use with 2 panel doors.

**PB-1921 Roller guide**

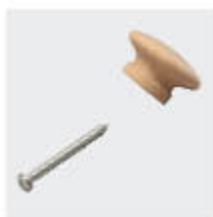
- **Includes:** Adjusting screw, door guide plate, and screws

**BK-8816-22 Snubber**

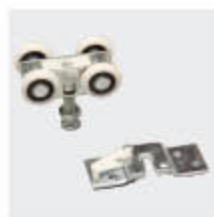
- **Materials:** Plastic snubber body with steel spring
- **Notes:** Snaps into track between doors. For use with 4 panel doors.

**PB-2004 4-wheel carrier with quick release top mount plate (1800-DBA)**

- **Materials:** Zinc plated steel
- **Wheels:** 1" diameter
- **Notes:** Lubricated plastic wheels.

**PB-1558 Wood knob with screw**

- **Materials:** Solid wood
- **Notes:** Will accept paint or stain.

**PB-2004-BB 44-wheel ball bearing carrier with quick release top mount plate (1800-DBA)**

- **Materials:** Zinc plated steel
- **Wheels:** 1" diameter
- **Notes:** Lubricated plastic wheels.

**PB-1559 Aligner, 1 pair**

- **Materials:** Steel with bright zinc finish

**PB-8268 Bottom jamb bracket**

- **Notes:** Screws included.

**PB-1618 Top and bottom pivot assemblies**

- **Includes:** Pivot pin plate (8582); heavy-duty pivot assembly (3313); door guide plate (3179); adjusting screw (1500-BPASA); jamb bracket (8643)

**PB1064-26DA Bi-fold door lock**

- **Materials:** Steel
- **Notes:** Nickel, keyed alike.

**PB1064-US26D Bi-Fold door lock**

- **Materials:** Steel
- **Notes:** Nickel, keyed different (5-key random).

**PB1064-US3 Bi-Fold door lock**

- **Materials:** Steel
- **Notes:** Brass, keyed different (5-key random).

**PB1064-US3A Bi-Fold door lock**

- **Materials:** Steel
- **Notes:** Brass, keyed alike.



## BI-FOLD CROSS-REFERENCE

KV Series	Hettich/Grant	Johnson	Stanley
BIF-20S	1500	1825, 1838	BF20
BIF-30S	1500	1825, 1838	BF30
BIF-50S   50A	1600	170A, 1700, 1770, 1718, 1734, 1738, IIIIFD	BF50
BIF-75A	-	100FD	-
BIF-100A	-	100FD	-
BIF-125A	1260	200FD	BF125N