



BY-PASS DOORS



**Sturdy door hardware for by-pass doors.
Simple to install. Built to last.**

Knape and Vogt offers a full range of by-passing door hardware sets for simple installations of closets, pantries and room dividers.

By-Pass Series Overview	38
BYP-50S	40
BYP-60S	44
BYP-60A	48
BYP-60AFR	52
BYP-60AFS	56
BYP-60AFS3	60
BYP-60SW	64
BYP-60AFW	68
BYP-75AFW	72
BYP-75S 75A	76
BYP-100A	80
BYP-125A	84
BYP-150A	88
BYP-250A	92
BYP-175I 275I	96
Components	100
Competitor Cross-Reference	105



BY-PASS SERIES OVERVIEW

BYP BY-PASS

Naming Structure

BYP-50S-2D-4

1	2	3	4	5
By-Pass	Door Weight	Track Type	Door Quantity	Opening
BYP	50	S (Steel)	2D (2 Door)	4'
	60	A (Aluminum)	4D (4 Door)	5'
	75	F (Fascia)		6'
	100	FR (Fascia Ribbed)		8'
	125	FS (Fascia Smooth)		
	150	FS3 (Fascia Smooth 3")		
	175	SW (Steel Wide)		
	250	FW (Fascia Wide)		
	275	I (I-Beam)		

PB-BYP-50-2

1	2	3	4
Part Bag	By-Pass	Door Weight	Door Quantity
PB	BYP	50 150	2 (2 Door)
		60 175	3 (3 Door)
		75 250	
		100 275	
		125	

BK = Bulk
PB = Part Bag

Ordering Instructions

Once the series of sliding door hardware has been identified by confirming your project's door weight and the door thickness, the next step is to go to the series page.

Option 1: Complete Package Sets
Order a package set that has your required door opening length. The package set includes the noted track length and hardware for installation, along with installation instructions.

Option 2: Tracks and Parts Bags
Order from the Tracks and Part Bags section. Choose the correct track length. Most tracks may be cut-to-size

in the field. Then choose the correct part bag based on the number of panel doors. Installation instructions are included in each part bag.

Individual Components
Bulk components for accessory options or replacement parts are available.

Series Overview Matrix

		BY-PASS																	
		BYP-50S	BYP-60S	BYP-60A	BYP-60AFR	BYP-60AFS	BYP-60AFS3	BYP-60SW	BYP-60AFW	BYP-75AFW	BYP-75S	BYP-75A	BYP-100A	BYP-125A	BYP-150A	BYP-175I	BYP-250A	BYP-275I	
Light	20 lb																		
	30 lb																		
	50 lb	•																	
	Standard	60 lb		•	•	•	•	•	•	•									
		75 lb									•	•	•						
100 lb													•						
Heavy Duty	125 lb													•					
	150 lb														•				
	175 lb															•			
	250 lb																•		
	275 lb																	•	
Track		3800	3800	7810	7820-R	7820	7830	7840	5950	5950	1599	1602	1602	2001	2001	1901	1801	1901	
Steel		•	•					•			•								
Aluminum				•	•	•	•		•	•		•	•	•	•	•	•	•	
Fascia					•	•	•		•	•								•	
Non-Fascia		•	•	•				•			•	•	•	•	•		•	•	
Type	Box										•	•	•	•	•		•	•	
	Double J	•	•	•	•	•	•	•	•	•									
	I-Beam															•		•	
Min. Door Thickness	3/4"	•	•	•															
	7/8"	•	•	•															
	1"	•	•	•												•		•	
	1-1/8"	•	•	•												•		•	
	1-3/8"	•	•	•	•	•	•	•	•	•	•	•	•	•	•	•	•	•	
	1-3/4"							•			•	•	•	•	•	•	•	•	
Carrier	0200 Single wheel																		
	0400 Twin wheel																		
	7200 Single wheel																		
	7200-B Single wheel																		
	7200-B Single wheel																		
	7200-B Single wheel																		
	0200-B Single wheel																		
	0400-BTW Twin wheel																		
	1572-QR 4-wheel																		
	1572-QR 4-wheel																		
	1606-QR 4-wheel BB																		
	2004 4-wheel																		
	2004-BB 4-wheel																		
	8542-QR 4-wheel BB																		
	1820 4-wheel BB																		
	8544-QR 4-wheel BB																		

This product overview matrix shows the 17 hardware series in Knappe and Vogt's by-passing door category. Using the matrix, you can compare each series to help you choose the one that will fit best within your project. Go to the series pages for more in-depth information including tracks, parts bags and components.

BYP-50S Series

Steel track hardware for 50 lb by-pass doors.

Hardware for light to mid-weight two and three panel by-pass doors. The BYP-50S series is ideal for 50 lb by-pass doors used in residential closets, pantries, and room dividers.

Door thickness: 3/4" to 1-3/8"

Load rating: Up to 50 lbs per door

Track material: Double J steel track

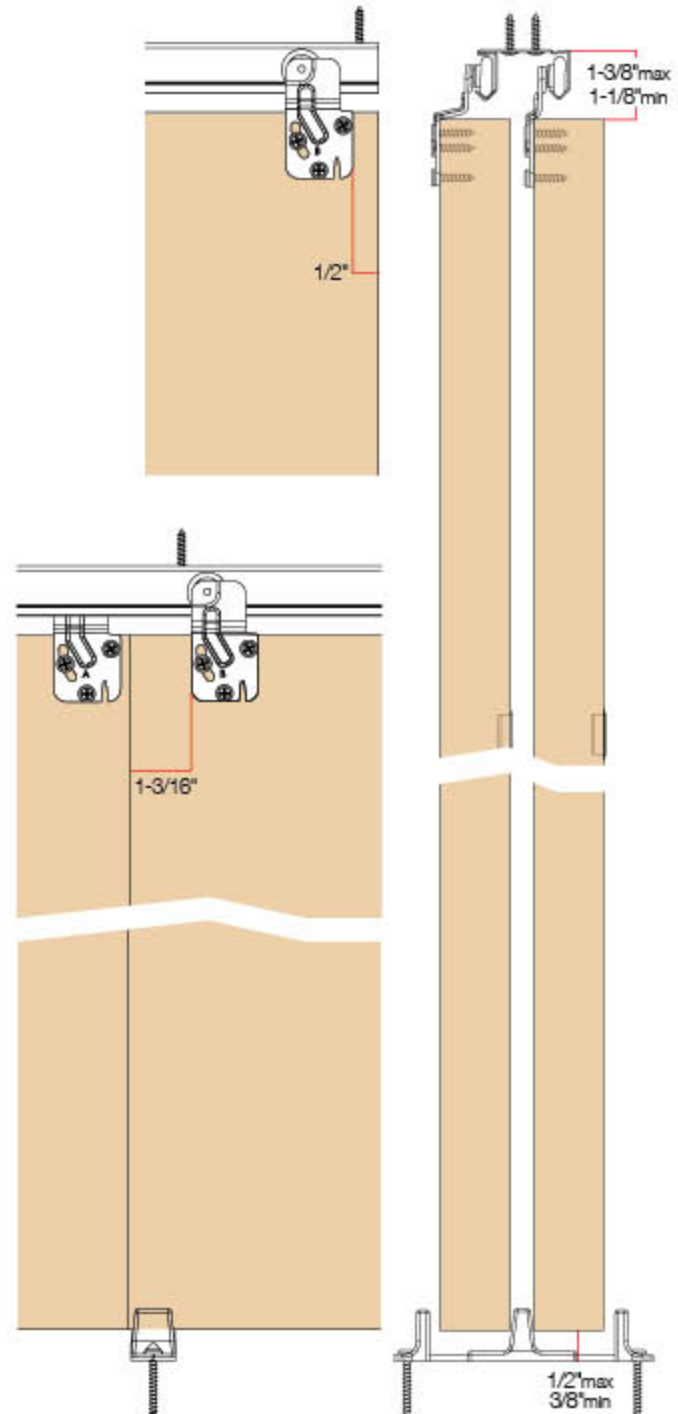
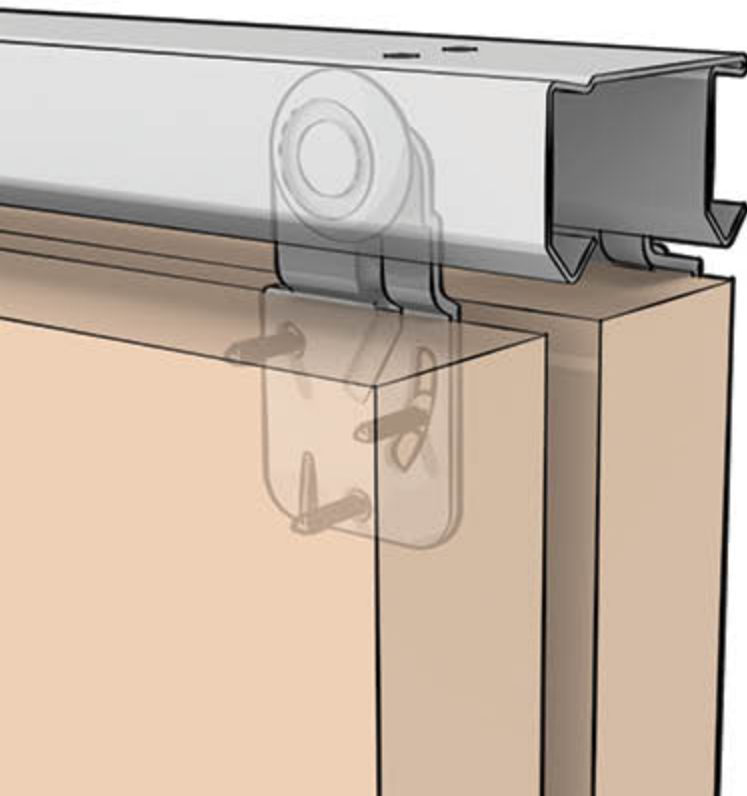
Carrier: Single wheel low friction bearing

Compares to: Hettich/Grant 6034, Johnson 1166, 1138, 113F

Conforms to: ANSI/BHMA A156.14-2007
Grade 2, D8742



BYP-50S series configuration



Packaged Sets

SKU	Door Panel Configuration	Pack Qty	Pack Qty Weight (Lb)
BYP-50S-2D-4	2 x 24" doors	10	23
BYP-50S-2D-5	2 x 30" doors	10	27
BYP-50S-2D-6	2 x 36" doors	10	31
BYP-50S-2D-8	2 x 48" doors	10	38
BYP-50S-3D-8	3 x 32" doors	10	56

Note: Package sets are designed for 3/4" and 1-3/8" thick doors. For 1" to 1-1/8" thick doors, either all A or B carriers are required and may be ordered in the components section.

Hardware Contents	BYP-50S-2D-4	BYP-50S-2D-5	BYP-50S-2D-6	BYP-50S-2D-8	BYP-50S-3D-8
Track	3800-z47"	3800-z59"	3800-z71"	3800-z94"	3800-z94"
Single wheel carriers-0200-A	2	2	2	2	2
Single wheel carriers-0200-B	2	2	2	2	4
Door guide 0353	1	1	1	1	2
Finger pulls-0864-US15P	2	2	2	2	3
Door stop-0880	1	1	1	1	1
Screws	Yes	Yes	Yes	Yes	Yes



BYP-50S-2D



BYP-50S-3D

BYP-50S BYP-60S | 60A | 60AFR | 60AFS | 60AFS3 | 60SW | 60AFW | BYP-75AFW | 75S | 75A
 BYP-100A | BYP-125A | BYP-150A | BYP-250A | BYP-175I | 275I | Components

Tracks

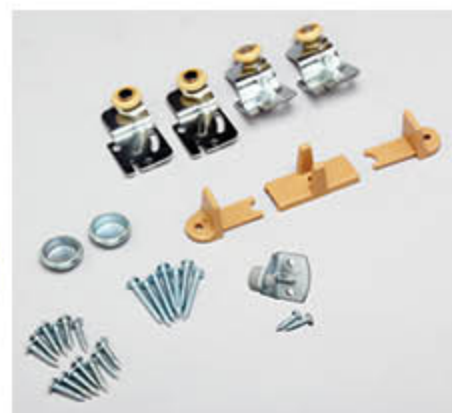
SKU	Description	Pack Qty	Pack Qty Weight (Lb)
BK-3800-Z47	47" Double-J zinc finished steel track	20	42
BK-3800-Z59	59" Double-J zinc finished steel track	20	52
BK-3800-Z71	71" Double-J zinc finished steel track	20	56
BK-3800-Z94	94" Double-J zinc finished steel track	10	41
BK-3800-Z120	120" Double-J zinc finished steel track	10	43



Part Bags

SKU	Door Panels	Pack Qty	Pack Qty Weight (Lb)
PB-BYP-50-2	2	10	6
PB-BYP-50-3	3	10	9

Hardware Contents	PB-BYP-50-2	PB-BYP-50-3
Single wheel carrier 0200-A	2	2
Single wheel carrier 0200-B	2	4
Door guide-0353	1	2
Finger pulls-0864-US15	2	3
Door stop-0880	1	1
Screws	Yes	Yes



PB-BYP-50-2



PB-BYP-50-3

Door Thickness:
3/4" – 1-3/4"

50 60 75 100 125 150 175 250 275

By-Pass Door Weight (Lb)

BYP-50S | BYP-60S | 60A | 60AFR | 60AFS | 60AFS3 | 60SW | 60APW | 60APW | BYP-75AFW | 75S | 75A
 BYP-100A | BYP-125A | BYP-150A | BYP-250A | BYP-175I | 275I | Components

Components

SKU	Description	Pack Qty	Pack Qty Weight (Lb)
BK-0200-A	Single wheel carrier, A offset, 3/4" diameter wheel	100	8
BK-0200-B	Single wheel carrier, B offset, 3/4" diameter wheel	100	8
BK-0351	Non-adjustable door guide	50	3
BK-0351-WT	Non-adjustable door guide (white)	50	3
BK-0354	3/4" riser, fits 0351 and 0353	50	6
BK-0864-US3	3/4" finger pull (bright brass)	100	1
BK-0865-WT	1-3/4" finger pull (white)	100	2
BN-0353	Adjustable door guide, 3/4" to 1-3/8"	100	4
BN-0868-US10B	2-1/8" finger pull (oil rubbed bronze)	150	5
BN-0868-US15	2-1/8" finger pull (satin nickel)	150	5
BN-0868-US26	2-1/8" finger pull (bright chrome)	150	5
BN-0868-US3	2-1/8" finger pull (bright brass)	150	5
BN-0868-US5	2-1/8" finger pull (antique brass)	150	5
PB1068-26DA	Sliding door lock, nickel, keyed alike	5	2
PB1068-US26D	Sliding door lock, nickel, keyed different	5	2
PB1068-US3	Sliding door lock, brass, keyed different	5	2
PB1068-US3A	Sliding door lock, brass, keyed alike	5	2



BK-0200-A BK-0200-B BK-0351 BK-0351-WT BK-0354 BK-0864-US3 BK-0865-WT BN-0353 BN-0868-US10B BN-0868-US15



BN-0868-US26 BN-0868-US3 BN-0868-US5 PB1068-26DA PB1068-US26D PB1068-US3 PB1068-US3A

BYP-60S Series

Steel track hardware for 60 lb by-pass doors.



Hardware for light to mid-weight two and three panel by-pass doors. The BYP-60S series is ideal for 60 lb by-pass doors used in residential closets, pantries, and room dividers.

Door thickness: 3/4" to 1-3/8"

Load rating: Up to 60 lbs per door

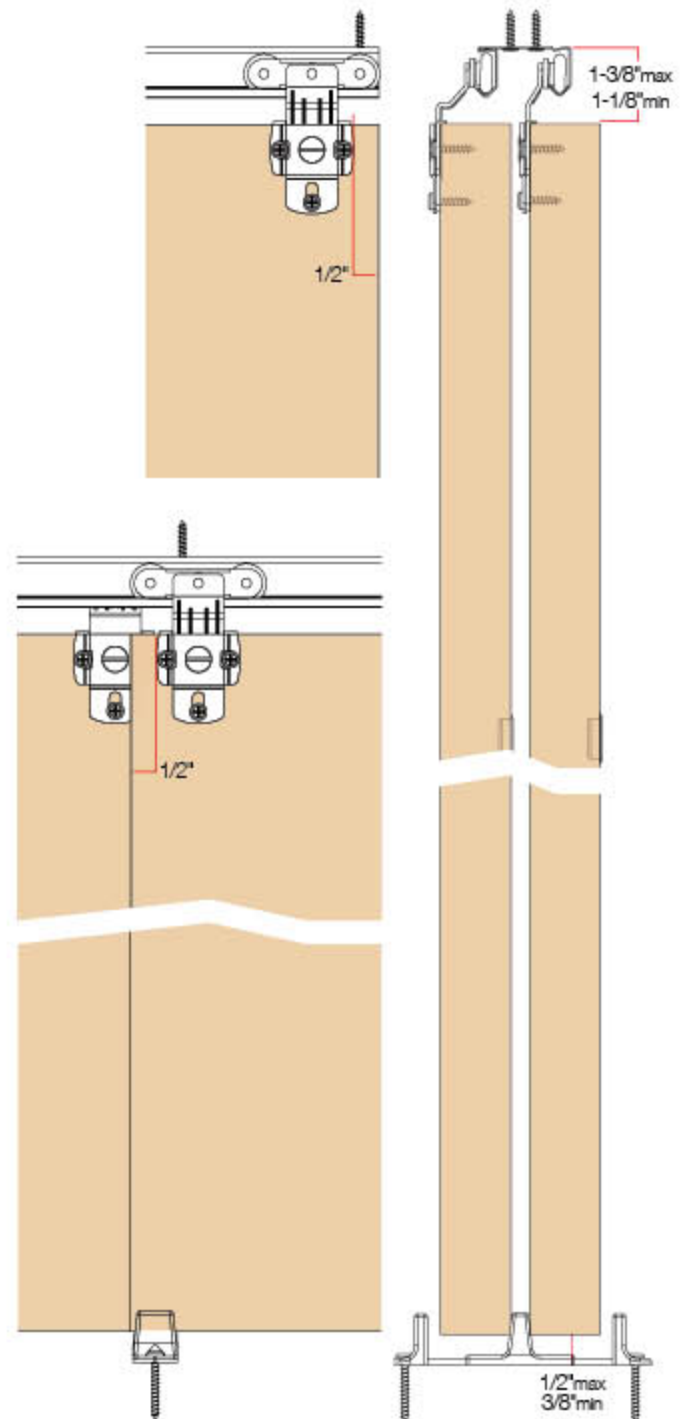
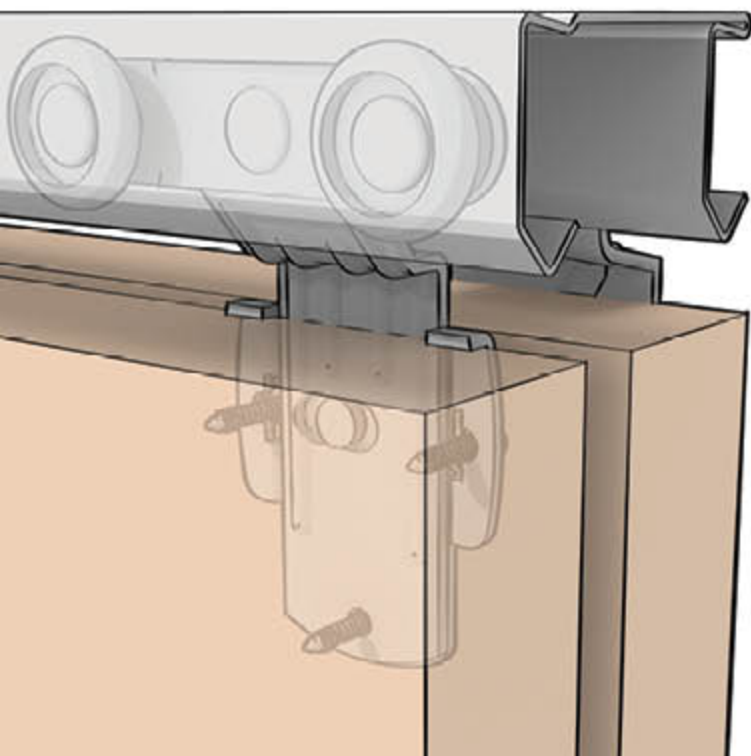
Track: Double-J steel track

Carrier: Twin wheel low friction bearing

Compares to: Hettich/Grant 6065, Johnson 1166, 1138, 113F, Stanley BP60

Conforms to: ANSI/BHMA A156.14-2007
Grade 2, D8742

BYP-60S series configuration



Door Thickness:
3/4" – 1-3/8"

50 **60** 75 100 125 150 175 250 275

By-Pass Door Weight (Lb)

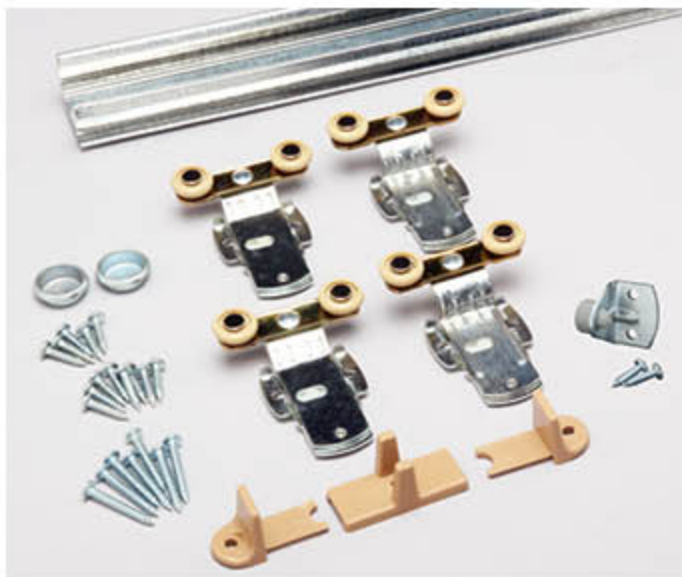
BYP-50S **BYP-60S** | 60A | 60AFR | 60AFS | 60AFS3 | 60SW | 60AFW | BYP-75AFW | 75S | 75A
BYP-100A | BYP-125A | BYP-150A | BYP-250A | BYP-175I | 275I | Components

Packaged Sets

SKU	Door Panel Configuration	Pack Qty	Pack Qty Weight (Lb)
BYP-60S-2D-4	2 x 24" doors	5	14
BYP-60S-2D-5	2 x 30" doors	5	16
BYP-60S-2D-6	2 x 36" doors	5	19
BYP-60S-2D-8	2 x 48" doors	5	22
BYP-60S-3D-8	3 x 32" doors	5	31

Note: Package sets are designed for 3/4" and 1-3/8" thick doors. For 1" to 1-1/8" thick doors, either all A or B carriers are required and may be ordered in the components section.

Hardware Contents	BYP-60S-2D-4	BYP-60S-2D-5	BYP-60S-2D-6	BYP-60S-2D-8	BYP-60S-3D-8
Track	3800-z47"	3800-z59"	3800-z71"	3800-z94"	3800-z94"
Twin wheel carriers-0400-ATW	2	2	2	2	2
Twin wheel carriers-0400-BTW	2	2	2	2	4
Door guide-0353	1	1	1	1	2
Finger pulls-0864-US15P	2	2	2	2	3
Door stop-0880	1	1	1	1	1
Screws	Yes	Yes	Yes	Yes	Yes



BYP-60S-2D



BYP-60S-3D

Tracks

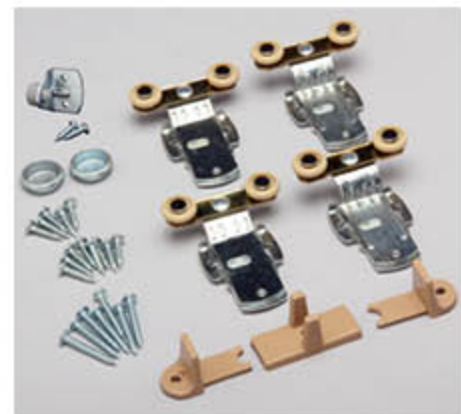
SKU	Description	Pack Qty	Pack Qty Weight (Lb)
BK-3800-Z47	47" Double-J zinc finished steel track	20	42
BK-3800-Z59	59" Double-J zinc finished steel track	20	52
BK-3800-Z71	71" Double-J zinc finished steel track	20	56
BK-3800-Z94	94" Double-J zinc finished steel track	10	41
BK-3800-Z120	120" Double-J zinc finished steel track	10	43



Part Bags

SKU	Door Panels	Pack Qty	Pack Qty Weight (Lb)
PB-BYP-60S-2	2	10	9
PB-BYP-60S-3	3	10	15

Hardware Contents	PB-BYP-60S-2	PB-BYP-60S-3
Twin wheel carrier 0400-ATW	2	2
Twin wheel carrier 0400-BTW	2	4
Door guide-0353	1	2
Finger pulls-0864-US15	2	3
Door stop-0880	1	1
Screws	Yes	Yes



PB-BYP-60S-2



PB-BYP-60S-3

Door Thickness:
3/4" – 1-3/8"

50 **60** 75 100 125 150 175 250 275

By-Pass Door Weight (Lb)

BYP-50S **BYP-60S** | 60A | 60AFR | 60AFS | 60AFS3 | 60SW | 60AFW | BYP-75AFW | 75S | 75A
BYP-100A | BYP-125A | BYP-150A | BYP-250A | BYP-175I | 275I | Components

Components

SKU	Description	Pack Qty	Pack Qty Weight (Lb)
BK-0351	Non-adjustable door guide	50	3
BK-0351-WT	Non-adjustable door guide (white)	50	3
BK-0354	3/4" riser, fits 0351 and 0353	50	6
BK-0864-US3	3/4" finger pull (bright brass)	100	1
BK-0865-WT	1-3/4" finger pull (white)	100	2
BN-0353	Adjustable door guide, 3/4" to 1-3/8"	100	4
BN-0868-US10B	2-1/8" finger pull (oil rubbed bronze)	150	5
BN-0868-US15	2-1/8" finger pull (satin nickel)	150	5
BN-0868-US26	2-1/8" finger pull (bright chrome)	150	5
BN-0868-US3	2-1/8" finger pull (bright brass)	150	5
BN-0868-US5	2-1/8" finger pull (antique brass)	150	5
PB-0400-ATW	Twin wheel carrier with dial adjustment, A offset, 3/4" diameter wheel	20	4
PB-0400-BTW	Twin wheel carrier with dial adjustment, B offset, 3/4" diameter wheel	20	4
PB1068-26DA	Sliding door lock, nickel, keyed alike	5	2
PB1068-US26D	Sliding door lock, nickel, keyed different	5	2
PB1068-US3	Sliding door lock, brass, keyed different	5	2
PB1068-US3A	Sliding door lock, brass, keyed alike	5	2



BYP-60A Series

Aluminum track hardware for 60 lb by-pass doors.



Hardware for light to mid-weight two and three panel by-pass doors. The BYP-60A series is ideal for 60 lb by-pass doors used in residential closets, pantries, and room dividers.

Door thickness: 3/4" to 1-3/8"

Load rating: Up to 60 lbs per door

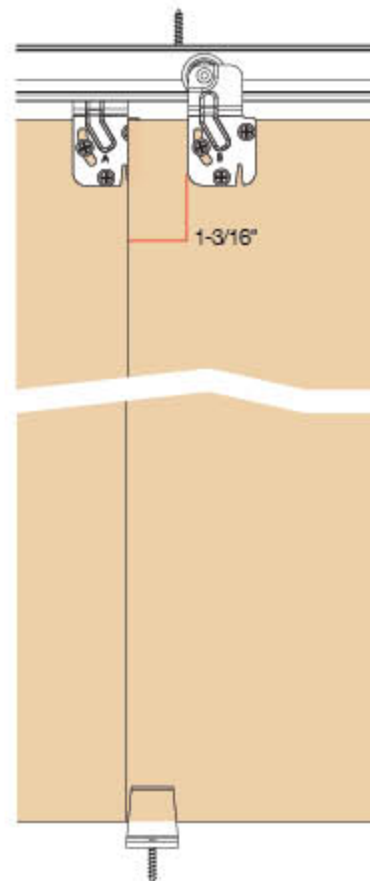
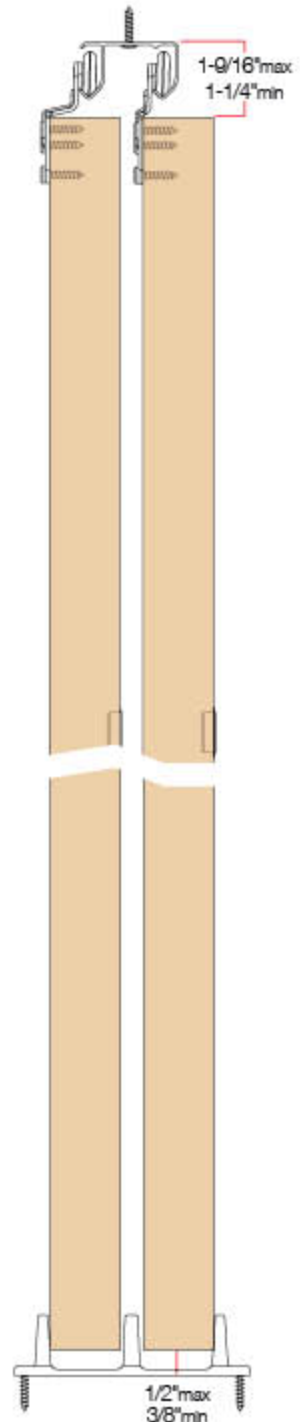
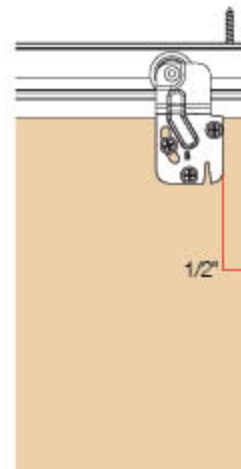
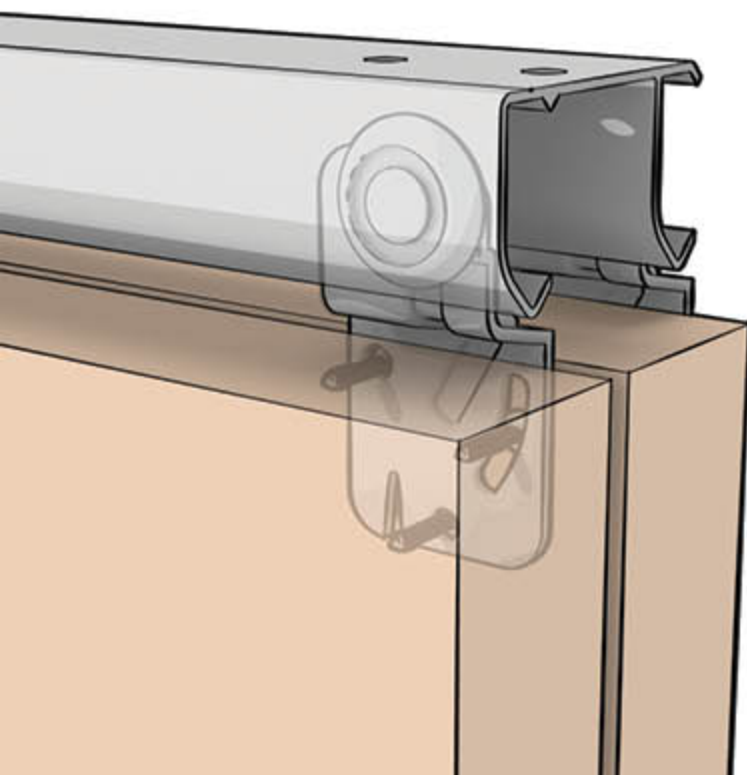
Track: Aluminum double-J track

Carrier: Single wheel low friction bearing

Compares to: Hettich/Grant 6065, Johnson 2222, Stanley BP60, BPD60, BP75-03

Conforms to: ANSI/BHMA A156.14-2007
Grade 2, D8742

BYP-60A series configuration



Door Thickness:
3/4" – 1-3/8"

50 **60** 75 100 125 150 175 250 275

By-Pass Door Weight (Lb)

BYP-50S | **BYP-60S | 60A** | 60AFR | 60AFS | 60AFS3 | 60SW | 60AFW | BYP-75AFW | 75S | 75A
BYP-100A | BYP-125A | BYP-150A | BYP-250A | BYP-175I | 275I | Components

Packaged Sets

SKU	Door Panel Configuration	Pack Qty	Pack Qty Weight (Lb)
BYP-60A-2D-4	2 x 24" doors	6	10
BYP-60A-2D-5	2 x 30" doors	6	12
BYP-60A-2D-6	2 x 36" doors	6	14
BYP-60A-2D-8	2 x 48" doors	6	17
BYP-60A-3D-8	3 x 32" doors	6	19

Note: Package sets are designed for 3/4" and 1-3/8" thick doors. For 1" to 1-1/8" thick doors, either all A or B carriers are required and may be ordered in the components section.

Hardware Contents	BYP-60A-2D-4	BYP-60A-2D-5	BYP-60A-2D-6	BYP-60A-2D-8	BYP-60A-3D-8
Track	7810-46"	7810-58"	7810-70"	7810-93"	7810-93"
Single wheel carriers-7200-A	2	2	2	2	2
Single wheel carriers-7200-B	2	2	2	2	4
Floor guide 0351-WT	1	1	1	1	2
Door stop-0880	1	1	1	1	1
Door pull-0865-WT	2	2	2	2	3
Screws	Yes	Yes	Yes	Yes	Yes



BYP-60A-2D



BYP-60A-3D

Tracks

SKU	Description	Pack Qty	Pack Qty Weight (Lb)
BK-7810-46	46-3/8" Double-J aluminum track	10	11
BK-7810-58	58-3/8" Double-J aluminum track	10	14
BK-7810-70	70-3/8" Double-J aluminum track	10	17
BK-7810-93	93-3/8" Double-J aluminum track	10	22
BK-7810-120	120" Double-J aluminum track	10	39
BK-7810-144	144" Double-J aluminum track	10	47



Part Bags

SKU	Door Panels	Pack Qty	Pack Qty Weight (Lb)
PB-BYP-60A-2	2	10	6
PB-BYP-60A-3	3	10	9

Hardware Contents	PB-BYP-60A-2	PB-BYP-60A-3
Single wheel carrier-7200-A	2	2
Single wheel carrier-7200-B	2	4
Floor guide -0351-WT	1	2
Door stop-0880	1	1
Door pull-0865-WT	2	3
Screws	Yes	Yes



PB-BYP-60A-2



PB-BYP-60A-3

Components

SKU	Description	Pack Qty	Pack Qty Weight (Lb)
BK-0351	Non-adjustable door guide	50	3
BK-0351-WT	Non-adjustable door guide (white)	50	3
BK-0354	3/4" riser, fits 0351 and 0353	50	6
BK-0864-US3	3/4" finger pull (bright brass)	100	1
BK-0865-WT	1-3/4" finger pull (white)	100	2
BK-7200-A	Single wheel carrier, offset A, 7/8" diameter wheel	100	10
BK-7200-ATW	Twin wheel carrier, offset A, 7/8" diameter wheels	100	14
BK-7200-B	Single wheel carrier, offset B, 7/8" diameter wheel	100	10
BK-7200-BTW	Twin wheel carrier, offset B, 7/8" diameter wheels	100	14
BK-7400-A	Single wheel carrier with adjustable dial, offset A, 7/8" diameter wheel	100	12
BK-7400-B	Single wheel carrier with adjustable dial, offset B, 7/8" diameter wheel	100	12
BN-0353	Adjustable door guide, 3/4" to 1-3/8"	100	4
BN-0868-US10B	2-1/8" finger pull (oil rubbed bronze)	150	5
BN-0868-US15	2-1/8" finger pull (satin nickel)	150	5
BN-0868-US26	2-1/8" finger pull (bright chrome)	150	5
BN-0868-US3	2-1/8" finger pull (bright brass)	150	5
BN-0868-US5	2-1/8" finger pull (antique brass)	150	5
BN-0880	Angle door stop	100	6
PB1068-26DA	Sliding door lock, nickel, keyed alike	5	2
PB1068-US26D	Sliding door lock, nickel, keyed different	5	2
PB1068-US3	Sliding door lock, brass, keyed different	5	2
PB1068-US3A	Sliding door lock, brass, keyed alike	5	2



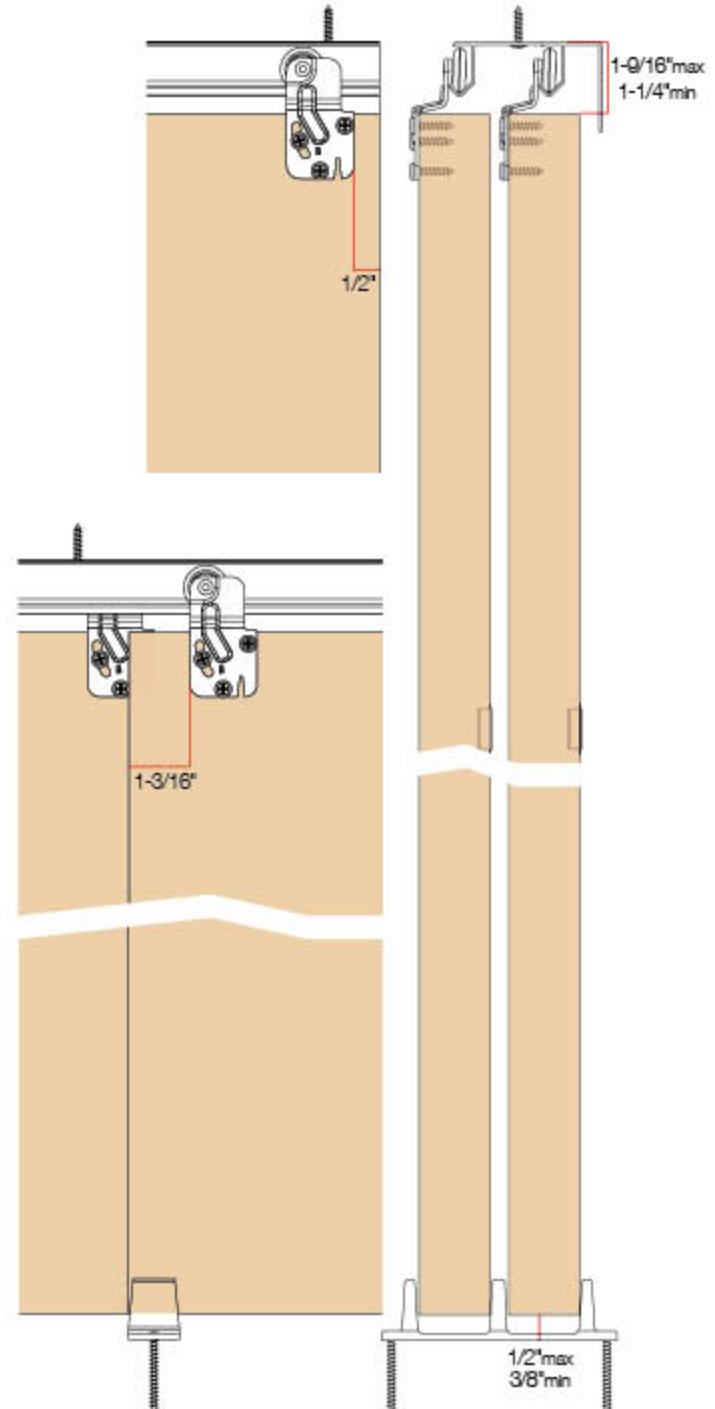
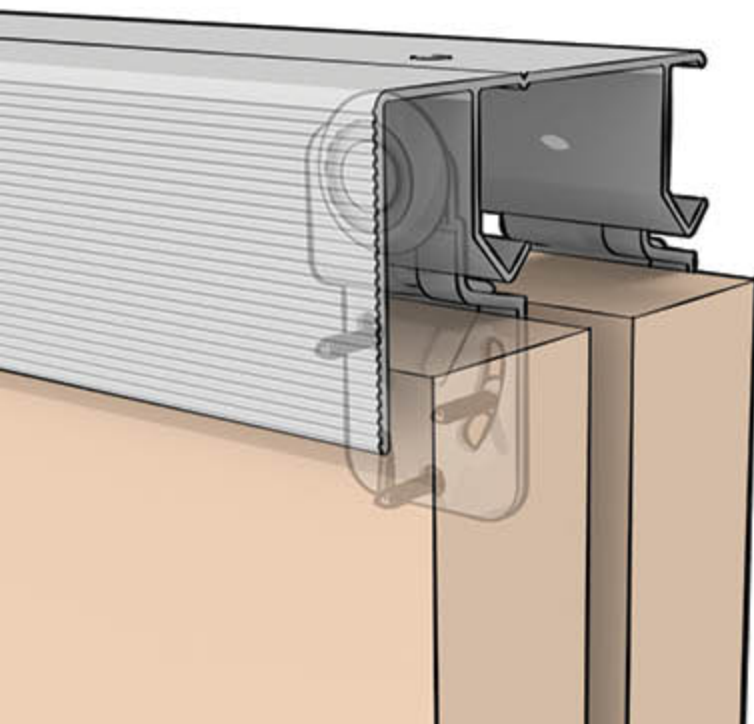
BYP-60AFR Series

Aluminum ribbed fascia hardware for 60 lb by-pass doors.

Hardware for light to mid-weight two and three panel by-pass doors. The BYP-60AFR series features a 1-3/4" ribbed fascia and single wheel carriers for smooth door movement. Ideal for 60 lb by-pass doors used in residential closets, pantries, and room dividers.

- Door thickness: 1-3/8"
- Load rating: Up to 60 lbs per door
- Track: Double J aluminum track with 1-3/4" ribbed fascia
- Carrier: Single wheel low friction bearing
- Compares to: Hettich/Grant 6075, Johnson 2200F, 2204F, Stanley BP75-06
- Conforms to: ANSI/BHMA A156.14-2007 Grade 2, D8752

BYP-60AFR series configuration



Door Thickness:
1-3/8"

50 **60** 75 100 125 150 175 250 275

By-Pass Door Weight (Lb)

BYP-50S | **BYP-60S** | 60A | **60AFR** | 60AFS | 60AFS3 | 60SW | 60AFW | BYP-75AFW | 75S | 75A
BYP-100A | BYP-125A | BYP-150A | BYP-250A | BYP-175I | 275I | Components

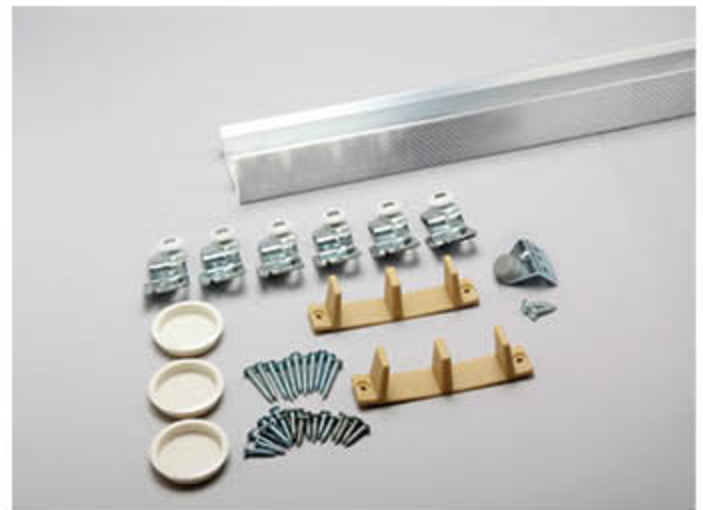
Packaged Sets

SKU	Door Panel Configuration	Pack Qty	Pack Qty Weight (Lb)
BYP-60AFR-2D-4	2 x 24" doors	5	16
BYP-60AFR-2D-5	2 x 30" doors	5	19
BYP-60AFR-2D-6	2 x 36" doors	5	22
BYP-60AFR-2D-8	2 x 48" doors	5	26
BYP-60AFR-3D-8	3 x 32" doors	5	36

Hardware Contents	BYP-60AFR-2D-4	BYP-60AFR-2D-5	BYP-60AFR-2D-6	BYP-60AFR-2D-8	BYP-60AFR-3D-8
Track	7820-48"R	7820-60"R	7820-72"R	7820-96"R	7820-96"R
Single wheel carriers-7200-B	4	4	4	4	6
Flush pulls-0865-WT	2	2	2	2	3
Floor guide-0351	1	1	1	1	2
Door stop-0880	1	1	1	1	1
Screws	Yes	Yes	Yes	Yes	Yes



BYP-60AFR-2D



BYP-60AFR-3D

Tracks

SKU	Description	Pack Qty	Pack Qty Weight (Lb)
BK-7820-48R	48" x 1-3/4" Aluminum fascia ribbed track	5	15
BK-7820-60R	60" x 1-3/4" Aluminum fascia ribbed track	5	20
BK-7820-72R	72" x 1-3/4" Aluminum fascia ribbed track	5	25
BK-7820-96R	96" x 1-3/4" Aluminum fascia ribbed track	5	31
BK-7820-120R	120" x 1-3/4" Aluminum fascia ribbed track	5	33
BK-7820-144R	144" x 1-3/4" Aluminum fascia ribbed track	5	80



Part Bags

SKU	Door Panels	Pack Qty	Pack Qty Weight (Lb)
PB-BYP-60AF-2	2	10	6
PB-BYP-60AF-3	3	10	9

Hardware Contents	PB-BYP-60AF-2	PB-BYP-60AF-3
1-3/4" white flush pull-0865-WT	2	3
Floor guide-0351	1	2
Single wheel carrier-7200-B	4	6
Door stop-0880	1	1
Screws	Yes	Yes



PB-BYP-60AF-2



PB-BYP-60AF-3

Components

SKU	Description	Pack Qty	Pack Qty Weight (Lb)
BK-0351	Non-adjustable door guide	50	3
BK-0351-WT	Non-adjustable door guide (white)	50	3
BK-0354	3/4" riser, fits 0351 and 0353	50	6
BK-0864-US3	3/4" finger pull (bright brass)	100	1
BK-0865-WT	1-3/4" finger pull (white)	100	2
BK-7200-B	Single wheel carrier, offset B, 7/8" diameter wheel	100	10
BK-7200-BTW	Twin wheel carrier, offset B, 7/8" diameter wheels	100	14
BK-7400-B	Single wheel carrier with adjustable dial, offset B, 7/8" diameter wheel	100	12
BN-0353	Adjustable door guide, 3/4" to 1-3/8"	100	4
BN-0868-US10B	2-1/8" finger pull (oil rubbed bronze)	150	5
BN-0868-US15	2-1/8" finger pull (satin nickel)	150	5
BN-0868-US26	2-1/8" finger pull (bright chrome)	150	5
BN-0868-US3	2-1/8" finger pull (bright brass)	150	5
BN-0868-US5	2-1/8" finger pull (antique brass)	150	5
BN-0880	Angle door stop	100	6
PB1068-26DA	Sliding door lock, nickel, keyed alike	5	2
PB1068-US26D	Sliding door lock, nickel, keyed different	5	2
PB1068-US3	Sliding door lock, brass, keyed different	5	2
PB1068-US3A	Sliding door lock, brass, keyed alike	5	2



BK-0351 | BK-0351-WT | BK-0354 | BK-0864-US3 | BK-0865-WT | BK-7200-B | BK-7200-BTW | BK-7400-B | BN-0353



BN-0868-US10B | BN-0868-US15 | BN-0868-US26 | BN-0868-US3 | BN-0868-US5 | BN-0880 | PB1068-26DA | PB1068-US26D | PB1068-US3 | PB1068-US3A

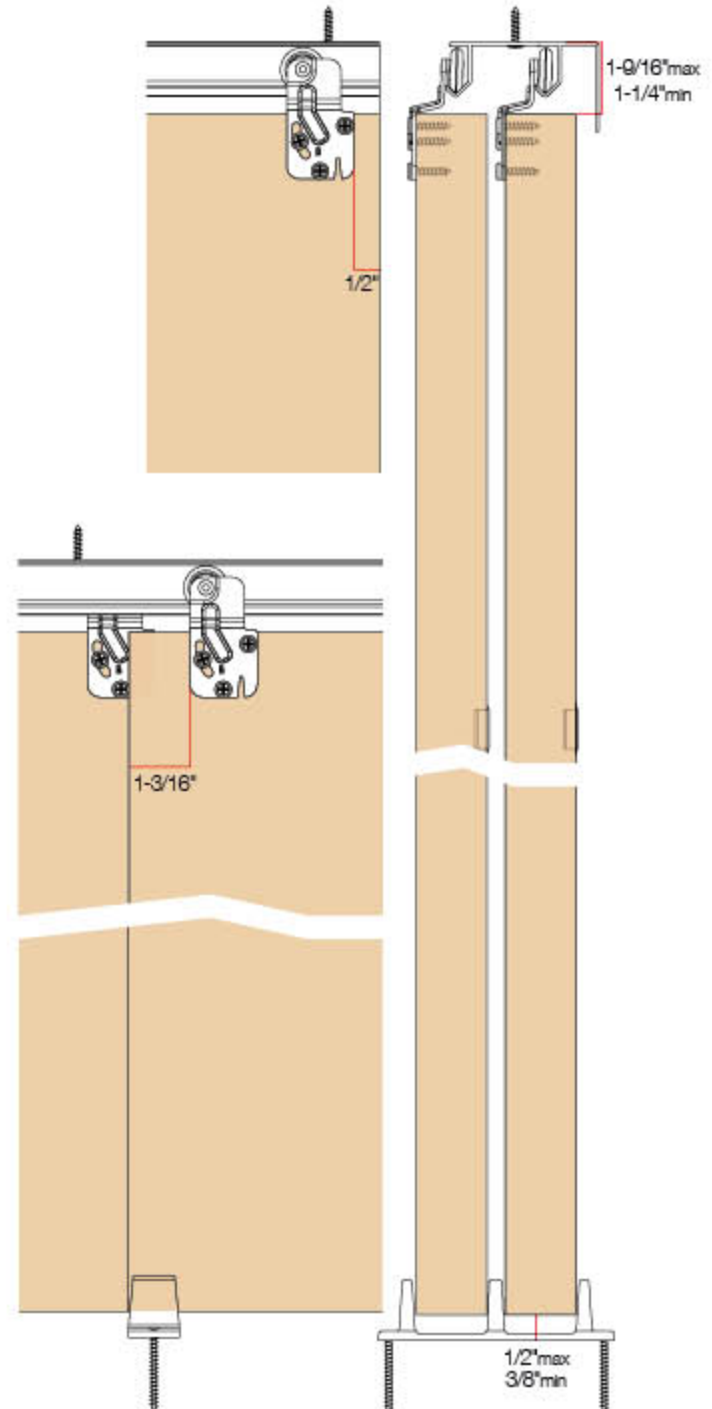
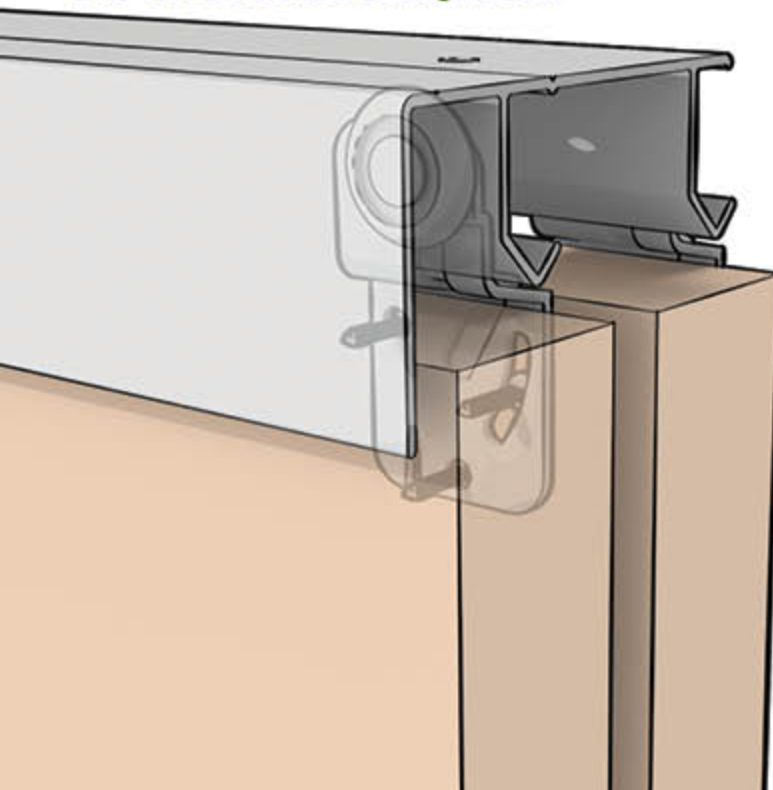
BYP-60AFS Series

Aluminum smooth fascia hardware for 60 lb by-pass doors.

Hardware for light to mid-weight two and three panel by-pass doors. The BYP-60AFS series features a 1-3/4" smooth fascia and single wheel carriers for smooth door movement. Ideal for 60 lb by-pass doors in residential closets, pantries, and room dividers.

- Door thickness: 1-3/8"
- Load rating: Up to 60 lbs per door
- Track: Double-J aluminum track with 1-3/4" smooth fascia
- Carrier: Single wheel low friction bearing
- Compares to: Hettich/Grant 6065, Johnson 2200F, Stanley BP75-06
- Conforms to: ANSI/BHMA A156.14-2007 Grade 2, D8752

BYP-60AFS series configuration



Door Thickness:
1-3/8"

50 **60** 75 100 125 150 175 250 275

By-Pass Door Weight (Lb)

BYP-50S | **BYP-60S** | 60A | 60AFR | **60AFS** | 60AFS3 | 60SW | 60AFW | BYP-75AFW | 75S | 75A
BYP-100A | BYP-125A | BYP-150A | BYP-250A | BYP-175I | 275I | Components

Packaged Sets

SKU	Door Panel Configuration	Pack Qty	Pack Qty Weight (Lb)
BYP-60AFS-2D-4	2 x 24" doors	5	16
BYP-60AFS-2D-5	2 x 30" doors	5	19
BYP-60AFS-2D-6	2 x 36" doors	5	22
BYP-60AFS-2D-8	2 x 48" doors	5	26
BYP-60AFS-3D-8	3 x 32" doors	5	36

Hardware Contents	BYP-60AFS-2D-4	BYP-60AFS-2D-5	BYP-60AFS-2D-6	BYP-60AFS-2D-8	BYP-60AFS-3D-8
Track	7820-48"	7820-60"	7820-72"	7820-96"	7820-96"
Single wheel carriers-7200-B	4	4	4	4	6
Flush pulls-0865-WT	2	2	2	2	3
Floor guide-0351	1	1	1	1	2
Door stop-0880	1	1	1	1	1
Screws	Yes	Yes	Yes	Yes	Yes



BYP-60AFS-2D



BYP-60AFS-3D

Tracks

SKU	Description	Pack Qty	Pack Qty Weight (Lb)
BK-7820-48	48" x 1-3/4" Aluminum fascia smooth track	5	10
BK-7820-60	60" x 1-3/4" Aluminum fascia smooth track	5	12
BK-7820-72	72" x 1-3/4" Aluminum fascia smooth track	5	15
BK-7820-96	96" x 1-3/4" Aluminum fascia smooth track	5	20
BK-7820-120	120" x 1-3/4" Aluminum fascia smooth track	5	24
BK-7820-144	144" x 1-3/4" Aluminum fascia smooth track	10	58



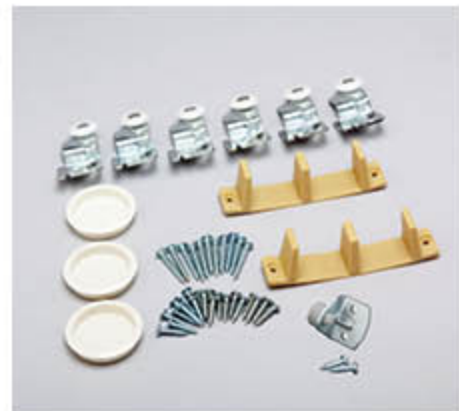
Part Bags

SKU	Door Panels	Pack Qty	Pack Qty Weight (Lb)
PB-BYP-60AF-2	2	10	6
PB-BYP-60AF-3	3	10	9

Hardware Contents	PB-BYP-60AF-2	PB-BYP-60AF-3
1-3/4" white flush pull-0865-WT	2	3
Floor guide-0351	1	2
Single wheel carrier-7200-B	4	6
Door stop-0880	1	1
Screws	Yes	Yes



PB-BYP-60AF-2



PB-BYP-60AF-3

Components

SKU	Description	Pack Qty	Pack Qty Weight (Lb)
BK-0351	Non-adjustable door guide	50	3
BK-0351-WT	Non-adjustable door guide (white)	50	3
BK-0354	3/4" riser, fits 0351 and 0353	50	6
BK-0864-US3	3/4" finger pull (bright brass)	100	1
BK-0865-WT	1-3/4" finger pull (white)	100	2
BK-7200-B	Single wheel carrier, offset B, 7/8" diameter wheel	100	10
BK-7200-BTW	Twin wheel carrier, offset B, 7/8" diameter wheels	100	14
BK-7400-B	Single wheel carrier with adjustable dial, offset B, 7/8" diameter wheel	100	12
BN-0353	Adjustable door guide, 3/4" to 1-3/8"	100	4
BN-0868-US10B	2-1/8" finger pull (oil rubbed bronze)	150	5
BN-0868-US15	2-1/8" finger pull (satin nickel)	150	5
BN-0868-US26	2-1/8" finger pull (bright chrome)	150	5
BN-0868-US3	2-1/8" finger pull (bright brass)	150	5
BN-0868-US5	2-1/8" finger pull (antique brass)	150	5
BN-0880	Angle door stop	100	6
PB1068-26DA	Sliding door lock, nickel, keyed alike	5	2
PB1068-US26D	Sliding door lock, nickel, keyed different	5	2
PB1068-US3	Sliding door lock, brass, keyed different	5	2
PB1068-US3A	Sliding door lock, brass, keyed alike	5	2



BYP-60AFS3 Series

Aluminum 3" smooth fascia hardware for 60 lb by-pass doors.

Hardware for light to mid-weight two and three panel by-pass doors. The BYP-60AFS3 series features a 3" smooth fascia and single wheel carriers for smooth door movement. Ideal for 60 lb by-pass doors used in residential closets, pantries, and room dividers.

Door thickness: 1-3/8"

Load rating: Up to 60 lbs per door

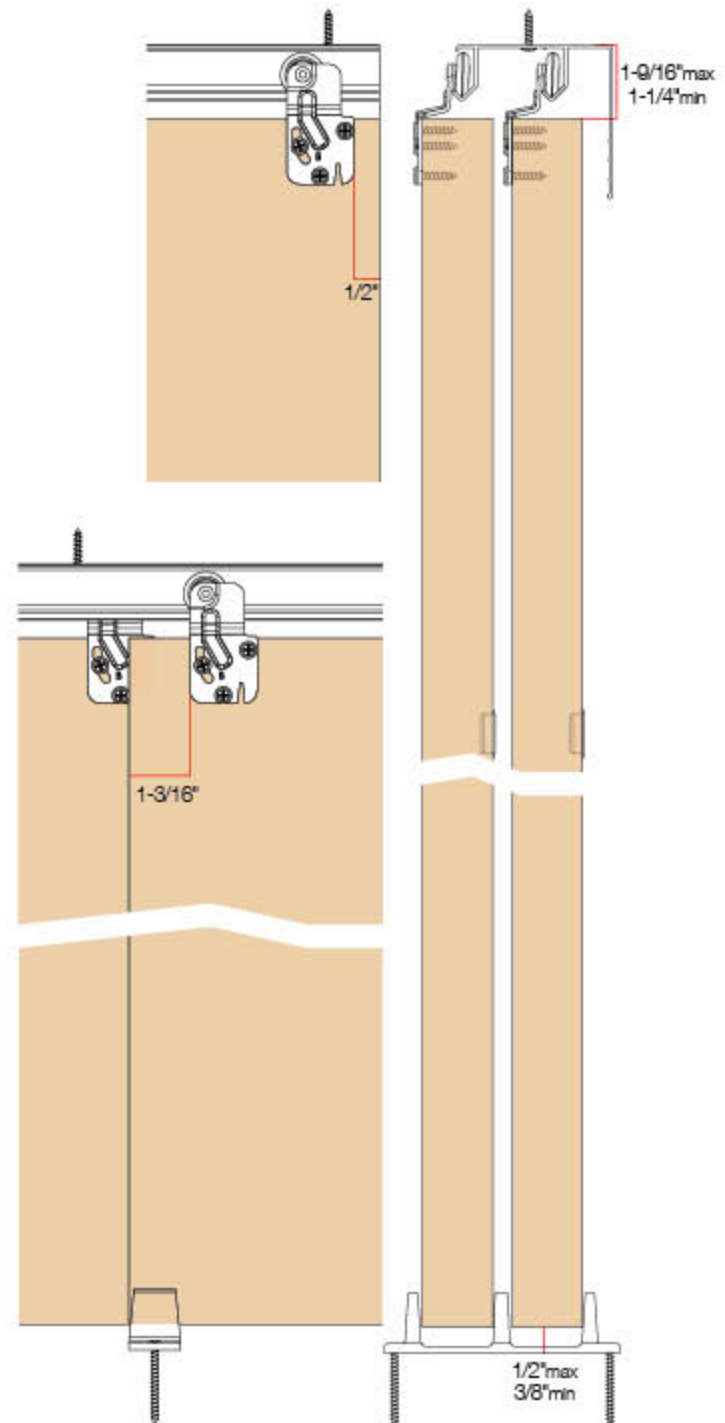
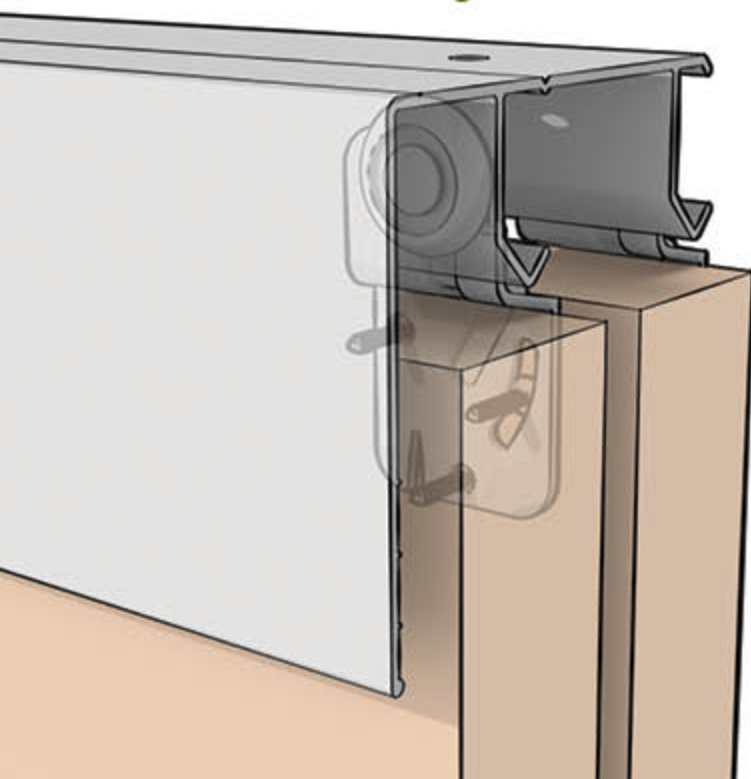
Track: Double-J aluminum track with 3" smooth fascia

Carrier: Single wheel low friction bearing

Compares to: Hettich/Grant 6065, Johnson 2200F, Stanley BP75-05

Conforms to: ANSI/BHMA A156.14-2007 Grade 2, D8752

BYP-60AFS3 series configuration



Door Thickness:
1-3/8"

50 **60** 75 100 125 150 175 250 275

By-Pass Door Weight (Lb)

BYP-50S | **BYP-60S** | 60A | 60AFR | 60AFS | **60AFS3** | 60SW | 60AFW | BYP-75AFW | 75S | 75A
BYP-100A | BYP-125A | BYP-150A | BYP-250A | BYP-175I | 275I | Components

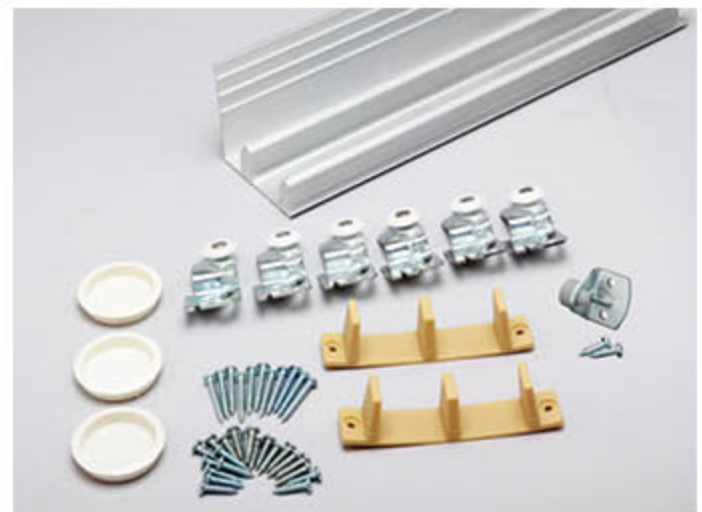
Packaged Sets

SKU	Door Panel Configuration	Pack Qty	Pack Qty Weight (Lb)
BYP-60AFS3-2D-4	2 x 24" doors	5	18
BYP-60AFS3-2D-5	2 x 30" doors	5	23
BYP-60AFS3-2D-6	2 x 36" doors	5	28
BYP-60AFS3-2D-8	2 x 48" doors	5	34
BYP-60AFS3-3D-8	3 x 32" doors	5	49

Hardware Contents	BYP-60AFS3-2D-4	BYP-60AFS3-2D-5	BYP-60AFS3-2D-6	BYP-60AFS3-2D-8	BYP-60AFS3-3D-8
Track	7830-48"	7830-60"	7830-72"	7830-96"	7830-96"
Single wheel carriers-7200-B	4	4	4	4	6
Flush pulls-0865-WT	2	2	2	2	3
Floor guide-0351	1	1	1	1	2
Door stop-0880	1	1	1	1	1
Screws	Yes	Yes	Yes	Yes	Yes



BYP-60AFS3-2D



BYP-60AFS3-3D

Tracks

SKU	Description	Pack Qty	Pack Qty Weight (Lb)
BK-7830-48	48" Aluminum 3" fascia smooth track	5	15
BK-7830-60	60" Aluminum 3" fascia smooth track	5	20
BK-7830-72	72" Aluminum 3" fascia smooth track	5	25
BK-7830-96	96" Aluminum 3" fascia smooth track	5	31
BK-7830-120	120" Aluminum 3" fascia smooth track	5	33
BK-7830-144	144" Aluminum 3" fascia smooth track	5	40



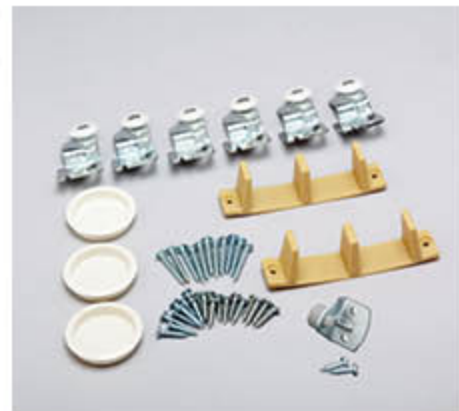
Part Bags

SKU	Door Panels	Pack Qty	Pack Qty Weight (Lb)
PB-BYP-60AF-2	2	10	6
PB-BYP-60AF-3	3	10	9

Hardware Contents	PB-BYP-60AF-2	PB-BYP-60AF-3
1-3/4" white flush pull-0865-WT	2	3
Floor guide-0351	1	2
Single wheel carrier-7200-B	4	6
Door stop-0880	1	1
Screws	Yes	Yes



PB-BYP-60AF-2



PB-BYP-60AF-3

Components

SKU	Description	Pack Qty	Pack Qty Weight (Lb)
BK-0351	Non-adjustable door guide	50	3
BK-0351-WT	Non-adjustable door guide (white)	50	3
BK-0354	3/4" riser, fits 0351 and 0353	50	6
BK-0864-US3	3/4" finger pull (bright brass)	100	1
BK-0865-WT	1-3/4" finger pull (white)	100	2
BK-7200-B	Single wheel carrier, offset B, 7/8" diameter wheel	100	10
BK-7200-BTW	Twin wheel carrier, offset B, 7/8" diameter wheels	100	14
BK-7400-B	Single wheel carrier with adjustable dial, offset B, 7/8" diameter wheel	100	12
BN-0353	Adjustable door guide, 3/4" to 1-3/8"	100	4
BN-0868-US10B	2-1/8" finger pull (oil rubbed bronze)	150	5
BN-0868-US15	2-1/8" finger pull (satin nickel)	150	5
BN-0868-US26	2-1/8" finger pull (bright chrome)	150	5
BN-0868-US3	2-1/8" finger pull (bright brass)	150	5
BN-0868-US5	2-1/8" finger pull (antique brass)	150	5
BN-0880	Angle door stop	100	6
PB1068-26DA	Sliding door lock, nickel, keyed alike	5	2
PB1068-US26D	Sliding door lock, nickel, keyed different	5	2
PB1068-US3	Sliding door lock, brass, keyed different	5	2
PB1068-US3A	Sliding door lock, brass, keyed alike	5	2



BYP-60SW Series

Steel wide track hardware for 60 lb by-pass doors.



Hardware for wide-track light to mid-weight two and three panel by-pass doors. The BYP-60SW series features an extra wide track for 1-3/4" thick doors and single wheel carriers for smooth door movement. The extra wide track is ideal for high-quality, thicker 60 lb by-pass doors used in residential custom closets, pantries, and room dividers.

Door thickness: 1-3/8" to 1-3/4"

Load rating: Up to 60 lbs per door

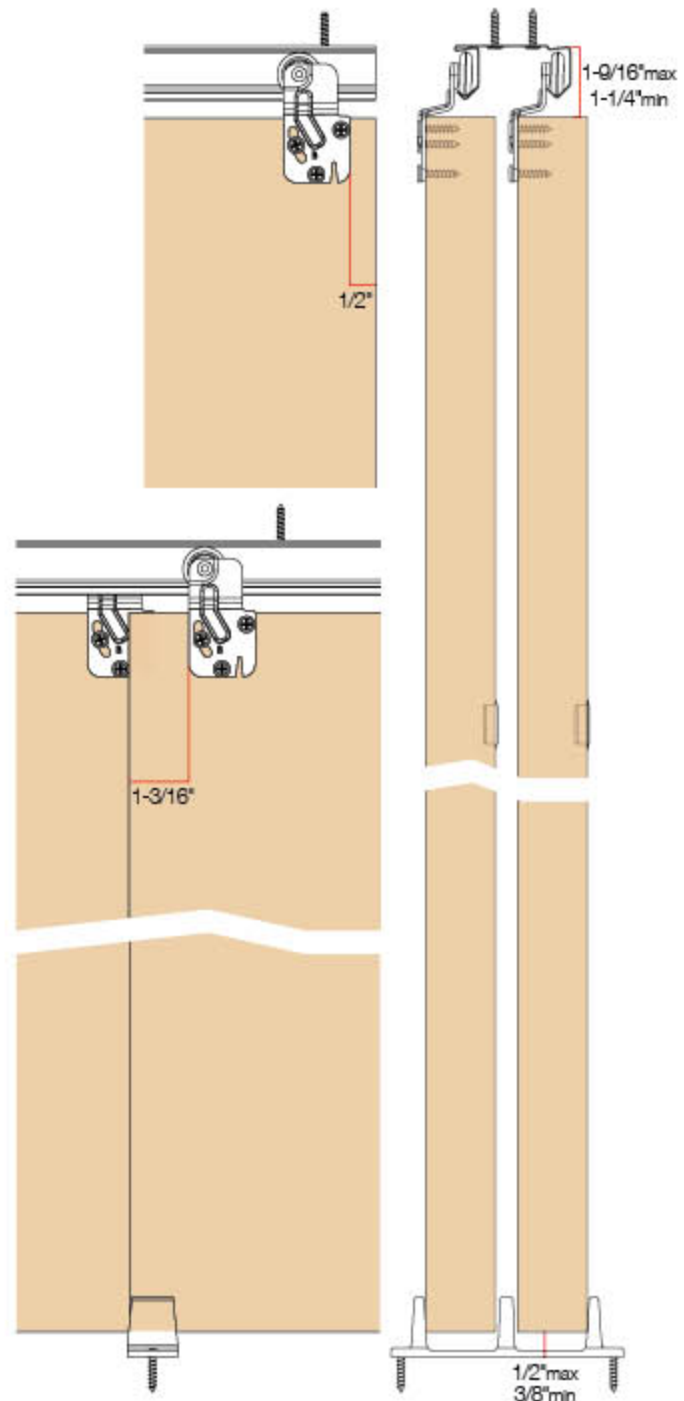
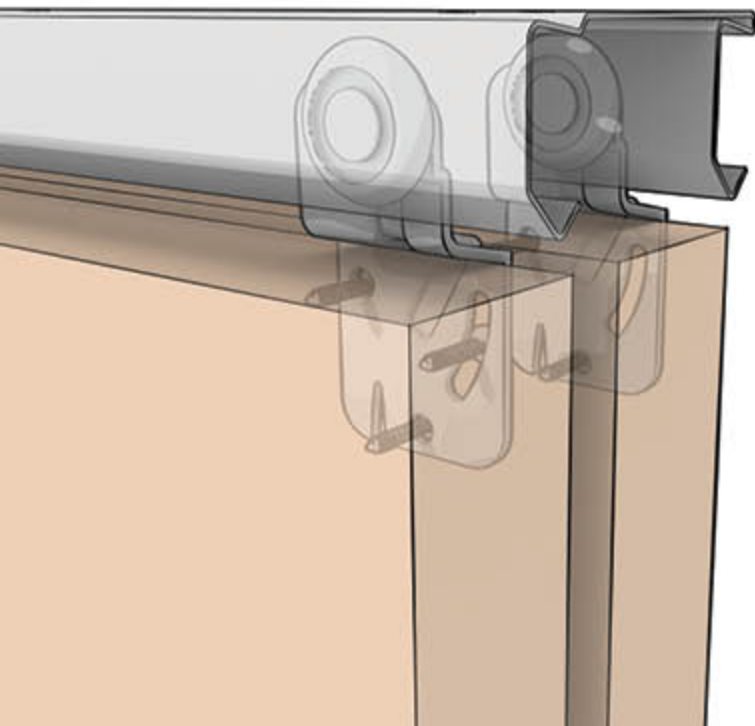
Track: Double-J steel track

Carrier: Single wheel low friction bearing

Compares to: Hettich/Grant 6065, Stanley PB75-01

Conforms to: ANSI/BHMA A156.14-2007
Grade 2, D8742

BYP-60SW series configuration



Door Thickness:
1-3/8" – 1-3/4"

50 **60** 75 100 125 150 175 250 275

By-Pass Door Weight (Lb)

BYP-50S | **BYP-60S** | 60A | 60AFR | 60AFS | 60AFS3 | **60SW** | 60AFW | BYP-75AFW | 75S | 75A
BYP-100A | BYP-125A | BYP-150A | BYP-250A | BYP-175I | 275I | Components

Packaged Sets

SKU	Door Panel Configuration	Pack Qty	Pack Qty Weight (Lb)
BYP-60SW-2D-4	2 x 24" doors	5	13
BYP-60SW-2D-5	2 x 30" doors	5	16
BYP-60SW-2D-6	2 x 36" doors	5	18
BYP-60SW-2D-8	2 x 48" doors	5	20
BYP-60SW-3D-8	3 x 32" doors	5	26

Hardware Contents	BYP-60SW-2D-4	BYP-60SW-2D-5	BYP-60SW-2D-6	BYP-60SW-2D-8	BYP-60SW-3D-8
Track	7840-46"	7840-58"	7840-70"	7840-93"	7840-93"
Single wheel carriers-7200-B	4	4	4	4	6
Finger pulls-0864-US15P	2	2	2	2	3
Floor guide-0351	1	1	1	1	2
Door stop-0880	1	1	1	1	1
Screws	Yes	Yes	Yes	Yes	Yes



BYP-60SW-2D



BYP-60SW-3D

Tracks

SKU	Description	Pack Qty	Pack Qty Weight (Lb)
BK-7840-46	46-1/2" Double-J steel wide track	10	21
BK-7840-58	58-1/2" Double-J steel wide track	10	26
BK-7840-70	70-1/2" Double-J steel wide track	10	31
BK-7840-81	81-1/2" Double-J steel wide track	5	17
BK-7840-93	93-1/2" Double-J steel wide track	5	21
BK-7840-120	120" Double-J steel wide track	5	25
BK-7840-144	144" Double-J steel wide track	5	30



Part Bags

SKU	Door Panels	Pack Qty	Pack Qty Weight (Lb)
PB-BYP-60AF-2	2	10	6
PB-BYP-60AF-3	3	10	9

Hardware Contents	PB-BYP-60AF-2	PB-BYP-60AF-3
1-3/4" white flush pull-0865-WT	2	3
Floor guide-0351	1	2
Single wheel carrier-7200-B	4	6
Door stop-0880	1	1
Screws	Yes	Yes



PB-BYP-60AF-2



PB-BYP-60AF-3

Components

SKU	Description	Pack Qty	Pack Qty Weight (Lb)
BK-0351	Non-adjustable door guide	50	3
BK-0351-WT	Non-adjustable door guide (white)	50	3
BK-0354	3/4" riser, fits 0351 and 0353	50	6
BK-0864-US3	3/4" finger pull (bright brass)	100	1
BK-0865-WT	1-3/4" finger pull (white)	100	2
BK-7200-A	Single wheel carrier, offset A, 7/8" diameter wheel	100	10
BK-7200-ATW	Twin wheel carrier, offset A, 7/8" diameter wheels	100	14
BK-7200-B	Single wheel carrier, offset B, 7/8" diameter wheel	100	10
BK-7200-BTW	Twin wheel carrier, offset B, 7/8" diameter wheels	100	14
BK-7400-B	Single wheel carrier with adjustable dial, offset B, 7/8" diameter wheel	100	12
BN-0353	Adjustable door guide, 3/4" to 1-3/8"	100	4
BN-0868-US10B	2-1/8" finger pull (oil rubbed bronze)	150	5
BN-0868-US15	2-1/8" finger pull (satin nickel)	150	5
BN-0868-US26	2-1/8" finger pull (bright chrome)	150	5
BN-0868-US3	2-1/8" finger pull (bright brass)	150	5
BN-0868-US5	2-1/8" finger pull (antique brass)	150	5
BN-0880	Angle door stop	100	6
PB1068-26DA	Sliding door lock, nickel, keyed alike	5	2
PB1068-US26D	Sliding door lock, nickel, keyed different	5	2
PB1068-US3	Sliding door lock, brass, keyed different	5	2
PB1068-US3A	Sliding door lock, brass, keyed alike	5	2



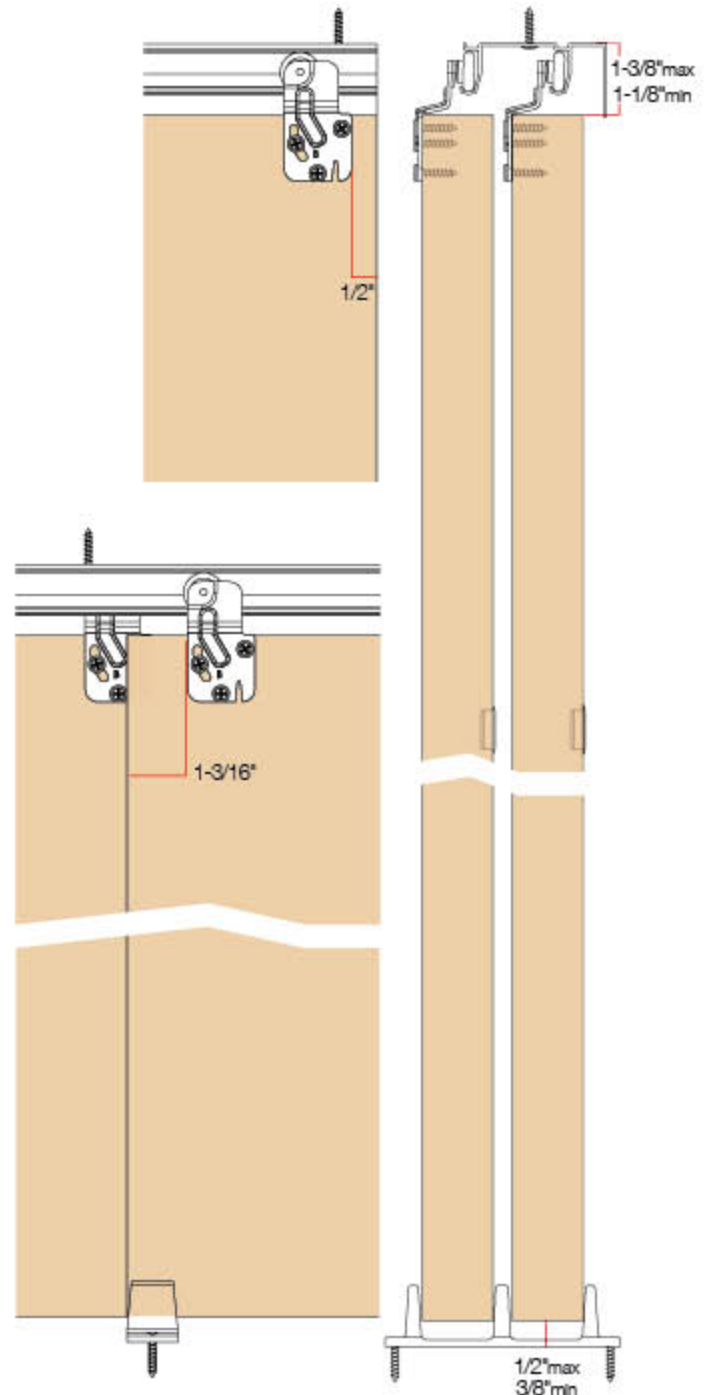
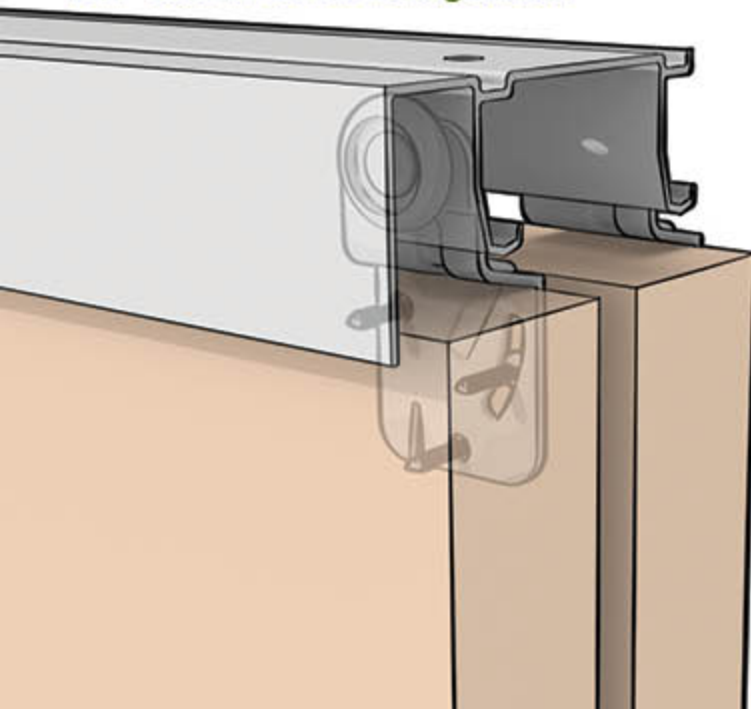
BYP-60AFW Series

Aluminum wide fascia hardware for 60 lb by-pass doors.

Hardware for wide-track light to mid-weight two and three panel by-pass doors. The BYP-60AFW series features an extra wide track with 1-9/16" fascia and single wheel carriers for smooth door movement. The extra wide track and built in fascia is ideal for thicker 60 lb by-pass doors used in high-quality custom closets, pantries, and room dividers.

Door thickness:	1-3/8"
Load rating:	Up to 60 lbs per door
Track:	Double-J aluminum track with 1-9/16" smooth fascia
Carrier:	Single wheel low friction bearing
Compares to:	Hettich/Grant 6065, Johnson 2200F, Stanley BP75-03
Conforms to:	ANSI/BHMA A156.14-2007 Grade 2, D8752

BYP-60AFW series configuration



Door Thickness:
1-3/8"

50 **60** 75 100 125 150 175 250 275

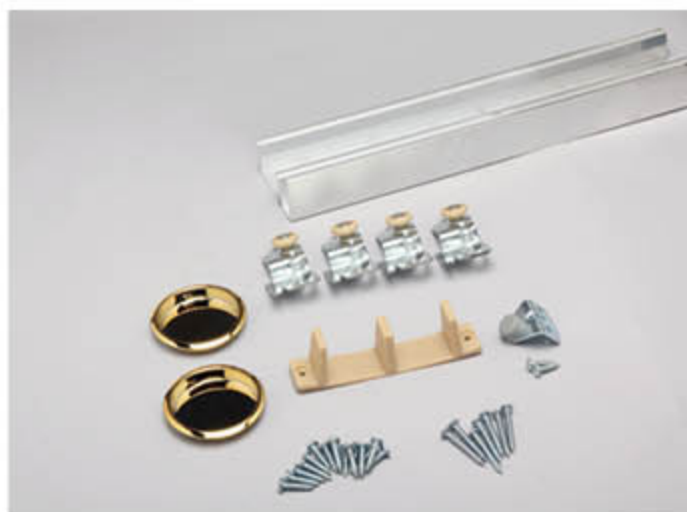
By-Pass Door Weight (Lb)

BYP-50S | **BYP-60S** | 60A | 60AFR | 60AFS | 60AFS3 | 60SW | **60AFW** | BYP-75AFW | 75S | 75A
BYP-100A | BYP-125A | BYP-150A | BYP-250A | BYP-175I | 275I | Components

Packaged Sets

SKU	Door Panel Configuration	Pack Qty	Pack Qty Weight (Lb)
BYP-60AFW-2D-4	2 x 24" doors	5	11
BYP-60AFW-2D-5	2 x 30" doors	5	13
BYP-60AFW-2D-6	2 x 36" doors	5	16
BYP-60AFW-2D-8	2 x 48" doors	5	19
BYP-60AFW-3D-8	2 x 32" doors	5	21

Hardware Contents	BYP-60AFW-2D-4	BYP-60AFW-2D-5	BYP-60AFW-2D-6	BYP-60AFW-2D-8	BYP-60AFW-3D-8
Track	5950-48"	5950-60"	5950-72"	5950-96"	5950-96"
Door stop-0880	1	1	1	1	1
Single wheel carriers-0200-B	4	4	4	4	6
Finger pulls-0868-US3	2	2	2	2	3
Floor guide-0351	1	1	1	1	2
Screws	Yes	Yes	Yes	Yes	Yes



BYP-60AFW-2D



BYP-60AFW-3D

Tracks

SKU	Description	Pack Qty	Pack Qty Weight (Lb)
BK-5950-48	48" Aluminum fascia with 1-9/16" wide track	10	18
BK-5950-60	60" Aluminum fascia with 1-9/16" wide track	10	24
BK-5950-72	72" Aluminum fascia with 1-9/16" wide track	10	28
BK-5950-96	96" Aluminum fascia with 1-9/16" wide track	10	36
BK-5950-120	120" Aluminum fascia with 1-9/16" wide track	10	46
BK-5950-144	144" Aluminum fascia with 1-9/16" wide track	10	54



Part Bags

SKU	Door Panels	Pack Qty	Pack Qty Weight (Lb)
PB-BYP-60AFW-2	2	10	6
PB-BYP-60AFW-3	3	10	8

Hardware Contents	PB-BYP-60AFW-2	PB-BYP-60AFW-3
Door stop-0880	1	1
Single wheel carrier-0200-B	4	6
Floor guide-0351	1	2
Pull-0868-US3	2	3
Screws	Yes	Yes



PB-BYP-60AFW-2



PB-BYP-60AFW-3

Door Thickness:
1-3/8"

50 **60** 70 75 100 125 150 175 250 275

By-Pass Door Weight (Lb)

BYP-50S | **BYP-60S** | 60A | 60AFR | 60AFS | 60AFS3 | 60SW | **60AFW** | BYP-75AFW | 75S | 75A
 BYP-100A | BYP-125A | BYP-150A | BYP-250A | BYP-175I | 275I | Components

Components

SKU	Description	Pack Qty	Pack Qty Weight (Lb)
BK-0200-A	Single wheel carrier, offset A, 3/4" diameter wheel	100	8
BK-0200-B	Single wheel carrier, offset B, 3/4" diameter wheel	100	8
BK-0351	Non-adjustable door guide	50	3
BK-0351-WT	Non-adjustable door guide (white)	50	3
BK-0354	3/4" riser, fits 0351 and 0353	50	6
BK-0400-A	Single wheel carrier with adjustable dial, offset A, 3/4" diameter	100	13
BK-0400-B	Single wheel carrier with adjustable dial, offset B, 3/4" diameter	100	13
BK-0864-US3	3/4" finger pull (bright brass)	100	1
BK-0865-WT	1-3/4" finger pull (white)	100	2
BN-0353	Adjustable door guide, 3/4" to 1-3/8"	100	4
BN-0868-US10B	2-1/8" finger pull (oil rubbed bronze)	150	5
BN-0868-US15	2-1/8" finger pull (satin nickel)	150	5
BN-0868-US26	2-1/8" finger pull (bright chrome)	150	5
BN-0868-US3	2-1/8" finger pull (bright brass)	150	5
BN-0868-US5	2-1/8" finger pull (antique brass)	150	5
BN-0880	Angle door stop	100	6
PB-0909	Guide for 2 doors up to 1-3/4"	20	4
PB1068-26DA	Sliding door lock, nickel, keyed alike	5	2
PB1068-US26D	Sliding door lock, nickel, keyed different	5	2
PB1068-US3	Sliding door lock, brass, keyed different	5	2
PB1068-US3A	Sliding door lock, brass, keyed alike	5	2



BK-0200-A BK-0200-B BK-0351 BK-0351-WT BK-0354 BK-0400-A BK-0400-B BK-0864-US3 BK-0865-WT BN-0353



BN-0868-US10B BN-0868-US15 BN-0868-US26 BN-0868-US3 BN-0868-US5 BN-0880 PB-0909 PB1068-26DA PB1068-US26D PB1068-US3



PB1068-US3A

BYP-75AFW Series



Aluminum wide fascia hardware for 75 lb by-pass doors.

Classic hardware for wide-track mid-weight two and three panel by-pass doors. The BYP-75AFW series features an extra wide track with 1-9/16" smooth fascia and twin wheel carriers for smooth door movement. The wide track and built-in fascia is ideal for thicker 75 lb by-pass doors used in high quality custom closets, pantries, and room dividers.

Door thickness: 1-3/8"

Load rating: Up to 75 lbs per door

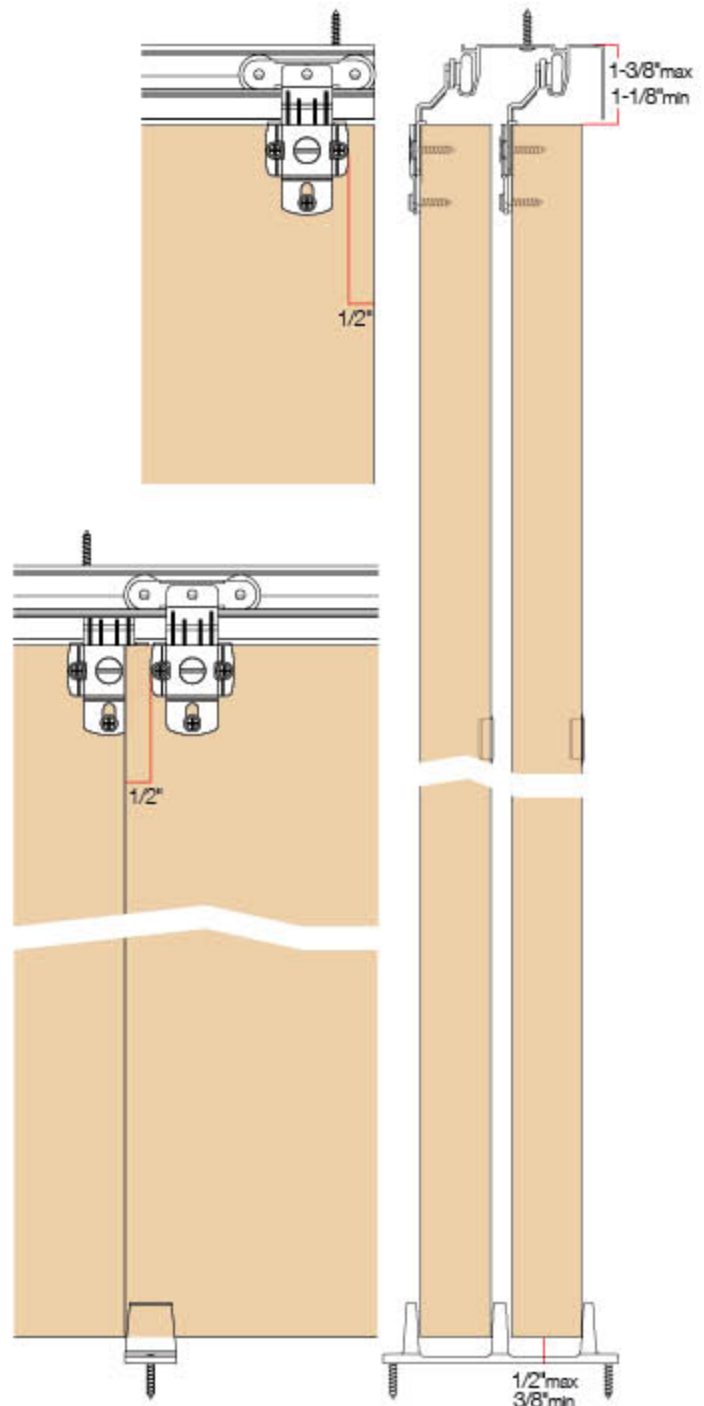
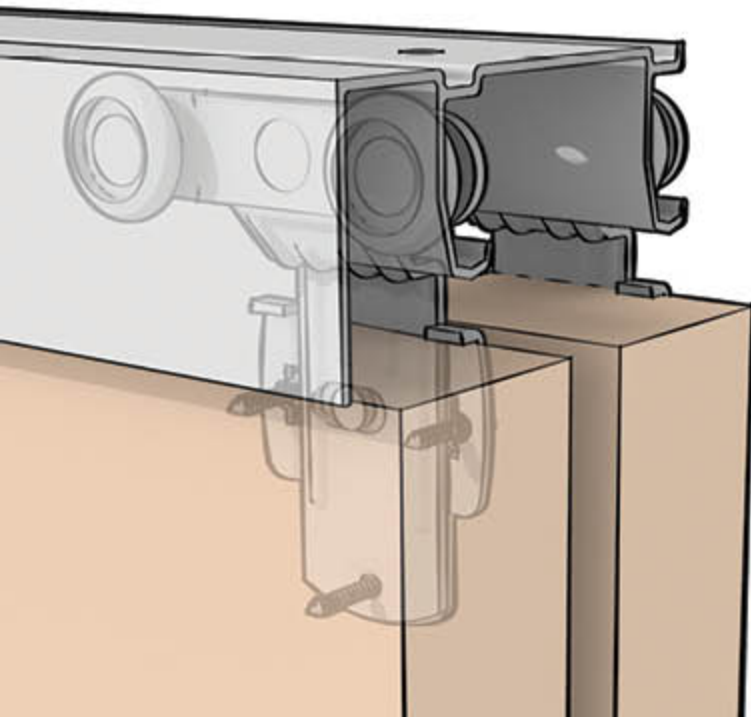
Track: Double-J aluminum track with 1-9/16" smooth fascia

Carrier: Twin wheel low friction bearing

Compares to: Hettich/Grant 6065, Johnson 2200F, 118F, Stanley BP75-03

Conforms to: ANSI/BHMA A156.14-2007 Grade 2, D8752

BYP-75AFW series configuration



Door Thickness:
1-3/8"

50 60 **75** 100 125 150 175 250 275

By-Pass Door Weight (Lb)

BYP-50S | BYP-60S | 60A | 60AFR | 60AFS | 60AFS3 | 60SW | 60AFW | **BYP-75AFW | 75S | 75A**

BYP-100A | BYP-125A | BYP-150A | BYP-250A | BYP-175I | 275I | Components

Packaged Sets

SKU	Door Panel Configuration	Pack Qty	Pack Qty Weight (Lb)
BYP-75AFW-2D-4	2 x 24" doors	5	7
BYP-75AFW-2D-5	2 x 30" doors	5	14
BYP-75AFW-2D-6	2 x 36" doors	5	17
BYP-75AFW-2D-8	2 x 48" doors	5	20
BYP-75AFW-3D-8	3 x 32" doors	5	23

Hardware Contents	BYP-75AFW-2D-4	BYP-75AFW-2D-5	BYP-75AFW-2D-6	BYP-75AFW-2D-8	BYP-75AFW-3D-8
Track	5950-48"	5950-60"	5950-72"	5950-96"	5950-96"
Door stop-0880	1	1	1	1	1
Twin wheel carriers-0400-BTW	4	4	4	4	6
Finger pulls-0868-US3	2	2	2	2	3
Floor guide-0351	1	1	1	1	2
Screws	Yes	Yes	Yes	Yes	Yes



BYP-75AFW-2D



BYP-75AFW-3D

Tracks

SKU	Description	Pack Qty	Pack Qty Weight (Lb)
BK-5950-48	48" Aluminum fascia with 1-9/16" wide track	10	18
BK-5950-60	60" Aluminum fascia with 1-9/16" wide track	10	24
BK-5950-72	72" Aluminum fascia with 1-9/16" wide track	10	28
BK-5950-96	96" Aluminum fascia with 1-9/16" wide track	10	36
BK-5950-120	120" Aluminum fascia with 1-9/16" wide track	10	46
BK-5950-144	144" Aluminum fascia with 1-9/16" wide track	10	54



Part Bags

SKU	Door Panels	Pack Qty	Pack Qty Weight (Lb)
PB-BYP-75AFW-2	2	10	9
PB-BYP-75AFW-3	3	10	14

Hardware Contents	PB-BYP-75AFW-2	PB-BYP-75AFW-3
Door stop-0880	1	1
Twin wheel carrier-0400-BTW	4	6
Floor guide-0351	1	2
Pull-0868-US3	2	3
Screws	Yes	Yes



PB-BYP-75AFW-2



PB-BYP-75AFW-3

Door Thickness:
1-3/8"

50 60 **75** 100 125 150 175 250 275

By-Pass Door Weight (Lb)

BYP-50S BYP-60S | 60A | 60AFR | 60AFS | 60AFS3 | 60SW | 60AFW **BYP-75AFW | 75S | 75A**

BYP-100A BYP-125A BYP-150A BYP-250A BYP-175I | 275I Components

Components

SKU	Description	Pack Qty	Pack Qty Weight (Lb)
BK-0351	Non-adjustable door guide	50	3
BK-0351-WT	Non-adjustable door guide (white)	50	3
BK-0354	3/4" riser, fits 0351 and 0353	50	6
BK-0864-US3	3/4" finger pull (bright brass)	100	1
BK-0865-WT	1-3/4" finger pull (white)	100	2
BN-0353	Adjustable door guide, 3/4" to 1-3/8"	100	4
BN-0868-US10B	2-1/8" finger pull (oil rubbed bronze)	150	5
BN-0868-US15	2-1/8" finger pull (satin nickel)	150	5
BN-0868-US26	2-1/8" finger pull (bright chrome)	150	5
BN-0868-US3	2-1/8" finger pull (bright brass)	150	5
BN-0868-US5	2-1/8" finger pull (antique brass)	150	5
BN-0880	Angle door stop	100	6
PB-0400-ATW	Twin wheel carrier with adjustable dial, offset A, 3/4" diameter	20	4
PB-0400-BTW	Twin wheel carrier with adjustable dial, offset B, 3/4" diameter	20	4
PB-0909	Guide for 2 doors up to 1-3/4"	20	4
PB1068-26DA	Sliding door lock, nickel, keyed alike	5	2
PB1068-US26D	Sliding door lock, nickel, keyed different	5	2
PB1068-US3	Sliding door lock, brass, keyed different	5	2
PB1068-US3A	Sliding door lock, brass, keyed alike	5	2



BYP-75S | 75A Series

Steel or aluminum track hardware for 75 lb by-pass doors.

Hardware for mid-weight two panel by-pass doors. The BYP-75S (steel track) and 75A (aluminum track) series features adjustable door guides and 4-wheel carriers for smooth door movement. Ideal for 75 lb by-pass doors used in residential closets, pantries, and room dividers.

Door thickness: 1-3/8" to 1-3/4"

Load rating: Up to 75 lbs per door

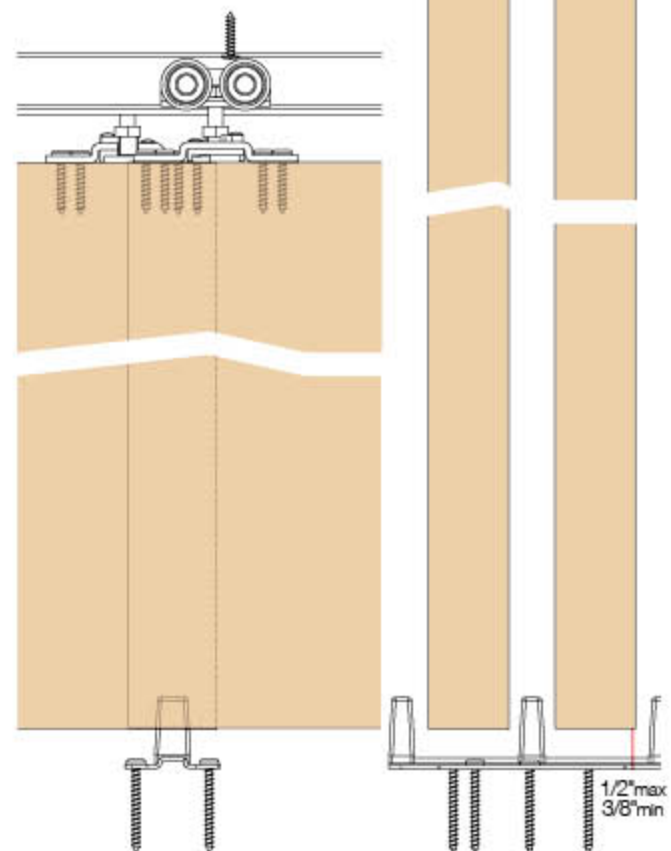
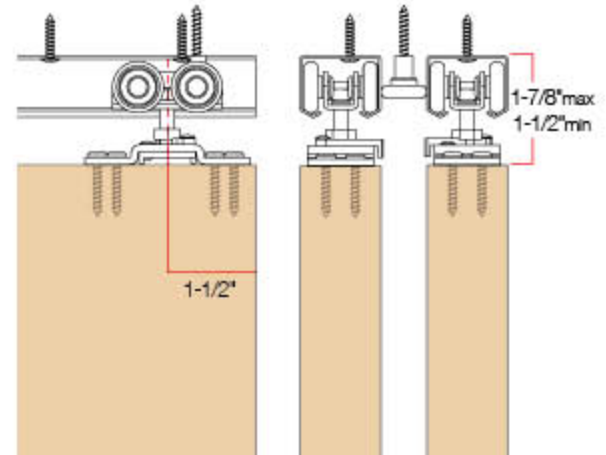
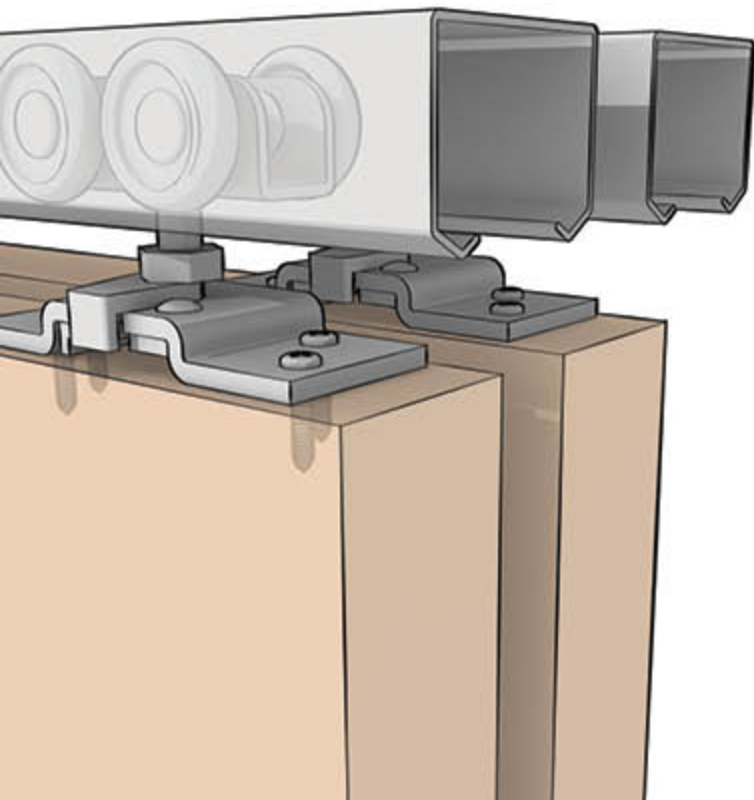
Track: 75S - single steel box track
75A - single aluminum box track

Carrier: 4-wheel low friction bearing

Compares to: Hettich/Grant 6064, Stanley BP75-01, BP75-02

Conforms to: ANSI/BHMA A156.14-2007
Grade 2, D8742

BYP-75S/75A series configuration



Door Thickness:
1-3/8" – 1-3/4"

50 60 **75** 100 125 150 175 250 275

By-Pass Door Weight (Lb)

BYP-50S | BYP-60S | 60A | 60AFR | 60AFS | 60AFS3 | 60SW | 60AFW | **BYP-75AFW | 75S | 75A**

BYP-100A | BYP-125A | BYP-150A | BYP-250A | BYP-175I | 275I | Components

Packaged Sets

SKU	Door Panel Configuration	Pack Qty	Pack Qty Weight (Lb)
BYP-75S-2D-4	2 x 24" doors	5	23
BYP-75S-2D-5	2 x 30" doors	5	30
BYP-75S-2D-6	2 x 36" doors	5	31
BYP-75S-2D-8	2 x 48" doors	5	41
BYP-75A-2D-4	2 x 24" doors	5	19
BYP-75A-2D-5	2 x 30" doors	5	22
BYP-75A-2D-6	2 x 36" doors	5	24
BYP-75A-2D-8	2 x 48" doors	5	29

Hardware Contents	BYP-75S-2D-4	BYP-75S-2D-5	BYP-75S-2D-6	BYP-75S-2D-8	BYP-75A-2D-4	BYP-75A-2D-5	BYP-75A-2D-6	BYP-75A-2D-8
Track-1599	2 X z47"	2 X z59"	2 X z71"	2 X z95"	-	-	-	-
Track-1602	-	-	-	-	46"	58"	70"	94"
Door stop-0880	1	1	1	1	1	1	1	1
Finger pull-0684-US15P	2	2	2	2	2	2	2	2
Door guide-0909	1	1	1	1	1	1	1	1
Quick release top mount plate-1800-DBA	4	4	4	4	4	4	4	4
Wrench-8665	1	1	1	1	1	1	1	1
4-wheel carriers-1572-QR	4	4	4	4	4	4	4	4
1574-Spacer kit	1	1	1	1	-	-	-	-
Screws	Yes	Yes	Yes	Yes	Yes	Yes	Yes	Yes



BYP-75S-2D



BYP-75A-2D

Tracks

SKU	Description	Pack Qty	Pack Qty Weight (Lb)
BK-1599-Z47	45" Steel track	20	20
BK-1599-Z55	55" Steel track	20	38
BK-1599-Z59	59" Steel track	20	40
BK-1599-Z63	63" Steel track	20	44
BK-1599-Z71	71" Steel track	20	49
BK-1599-Z96	96" Steel track	10	32
BK-1599-Z119	119" Steel track	10	40
BK-1599-Z143	143" Steel track	10	48

Note: For by-pass applications, two box tracks are required.

BK-1602-46	46" Aluminum track	5	10
BK-1602-58	58" Aluminum track	5	12
BK-1602-70	70" Aluminum track	5	15
BK-1602-94	94" Aluminum track	5	20
BK-1602-118	118" Aluminum track	5	23
BK-1602-142	142" Aluminum track	5	30

Fascia with Header

BK-1709-72	72" Aluminum fascia	10	17
BK-1709-96	96" Aluminum fascia	10	22



BK-1599 steel tracks



BK-1602 aluminum tracks



BK-1709 aluminum fascia

Part Bags

SKU	Door Panels	Pack Qty	Pack Qty Weight (Lb)
PB-BYP-75-2	2	10	10

Hardware Contents

PB-BYP-75-2

Door stop-0880	1
Finger pull-0864-US15	2
Door guide-0909	1
Quick release top mount plate-1800-DBA	4
Wrench-8665	1
4-wheel carrier-1572-QR	4
Spacer kit-1574	1
Screws	yes



PB-BYP-75-2

Components

SKU	Description	Pack Qty	Pack Qty Weight (Lb)
BK-0351	Non-adjustable door guide	50	3
BK-0351-WT	Non-adjustable door guide (white)	50	3
BK-0354	3/4" riser, fits 0351 and 0353	50	6
BK-0864-US3	3/4" finger pull (bright brass)	100	1
BK-0865-WT	1-3/4" finger pull (white)	100	2
BK-1572-QR	4-wheel carrier, 7/8" diameter	20	3
BK-1800-DBA	Quick release top mount plate	20	2
BN-0353	Adjustable door guide, 3/4" to 1-3/8"	100	4
BN-0868-US10B	2-1/8" finger pull (oil rubbed bronze)	150	5
BN-0868-US15	2-1/8" finger pull (satin nickel)	150	5
BN-0868-US26	2-1/8" finger pull (bright chrome)	150	5
BN-0868-US3	2-1/8" finger pull (bright brass)	150	5
BN-0868-US5	2-1/8" finger pull (antique brass)	150	5
BN-0880	Angle door stop	100	6
PB-0909	Guide for 2 doors up to 1-3/4"	20	4
PB1068-26DA	Sliding door lock, nickel, keyed alike	5	2
PB1068-US26D	Sliding door lock, nickel, keyed different	5	2
PB1068-US3	Sliding door lock, brass, keyed different	5	2
PB1068-US3A	Sliding door lock, brass, keyed alike	5	2



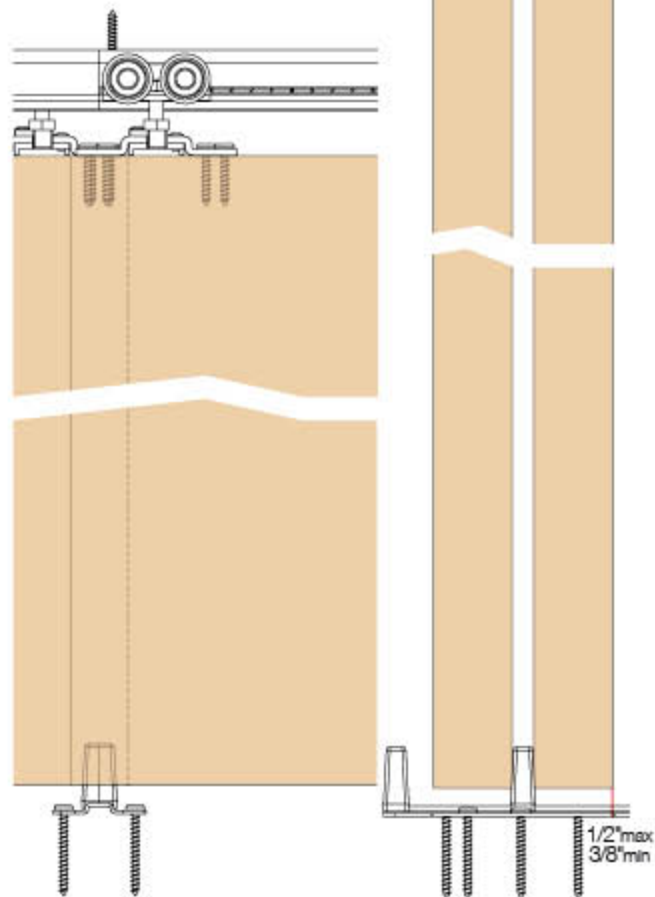
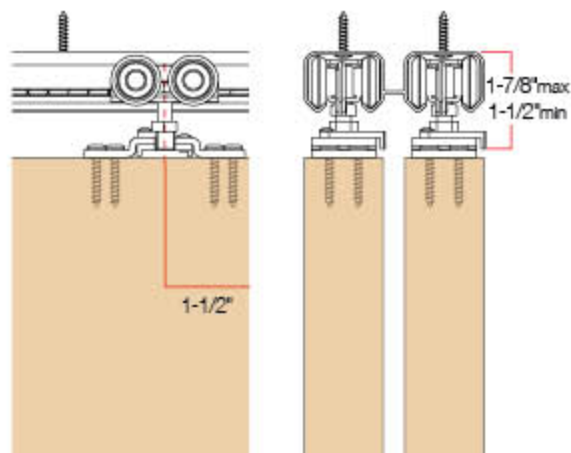
BYP-100A Series

Aluminum track hardware for 100 lb by-pass doors.

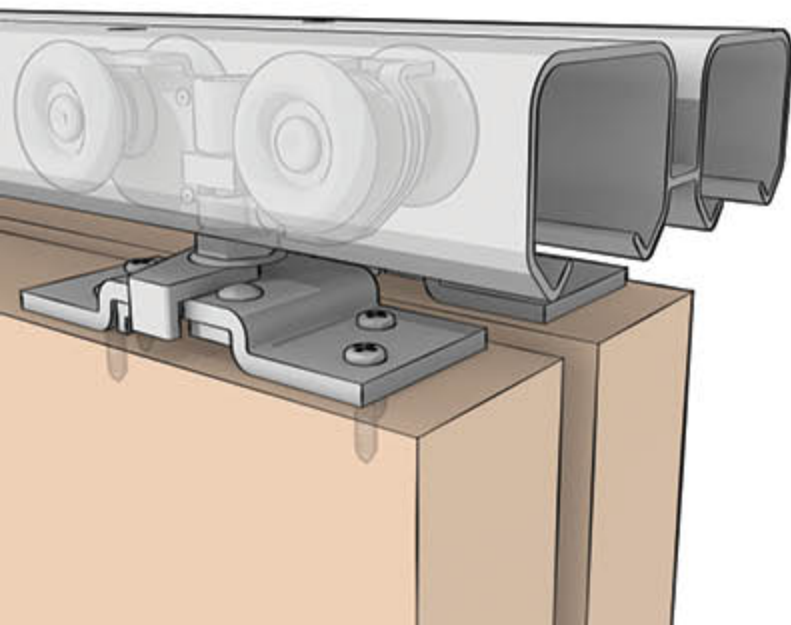


Hardware for mid to heavy-weight two panel by-pass doors. The BYP-100A series features adjustable door guides and 4-wheel carriers for smooth door movement. Ideal for 100 lb by-pass doors used in commercial and residential interior closets, pantries, and room dividers.

Door thickness:	1-3/8" to 1-3/4"
Load rating:	Up to 100 lbs per door
Track:	Double aluminum box track
Carrier:	4-wheel ball bearing
Compares to:	Hettich/Grant 6064, Stanley BP75-02
Conforms to:	ANSI/BHMA A156.14-2007 Grade 1, D8741, D8742



BYP-100A series configuration



Door Thickness:
1-3/8" – 1-3/4"

50 60 75 **100** 125 150 175 250 275

By-Pass Door Weight (Lb)

BYP-50S | BYP-60S | 60A | 60AFR | 60AFS | 60AFS3 | 60SW | 60APW | BYP-75AFW | 75S | 75A

BYP-100A | BYP-125A | BYP-150A | BYP-250A | BYP-175I | 275I | Components

Packaged Sets

SKU	Door Panel Configuration	Pack Qty	Pack Qty Weight (Lb)
BYP-100A-2D-4	2 x 24" doors	5	18
BYP-100A-2D-5	2 x 30" doors	5	21
BYP-100A-2D-6	2 x 36" doors	5	23
BYP-100A-2D-8	2 x 48" doors	5	28

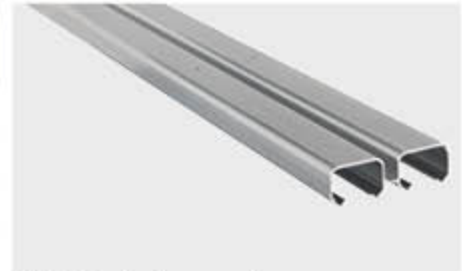
Hardware Contents	BYP-100A-2D-4	BYP-100A-2D-5	BYP-100A-2D-6	BYP-100A-2D-8
Track	1602-46"	1602-58"	1602-70"	1602-94"
Door stop-0880	1	1	1	1
Finger pull-0684-US15P	2	2	2	2
Door guide-0909	1	1	1	1
Quick release top mount plate-1800-DBA	4	4	4	4
Wrench-8665	1	1	1	1
4-wheel ball bearing carriers-1606-QR	4	4	4	4
Screws	Yes	Yes	Yes	Yes



BYP-100A-2D

Tracks

SKU	Description	Pack Qty	Pack Qty Weight (Lb)
BK-1602-46	46" Aluminum track	5	10
BK-1602-58	58" Aluminum track	5	12
BK-1602-70	70" Aluminum track	5	15
BK-1602-94	94" Aluminum track	5	20
BK-1602-118	118" Aluminum track	5	23
BK-1602-142	142" Aluminum track	5	30
Fascia with Header			
BK-1709-72	72" Aluminum fascia	10	17
BK-1709-96	96" Aluminum fascia	10	22



BK-1602 aluminum tracks



BK-1709 aluminum fascia

Part Bags

SKU	Door Panels	Pack Qty	Pack Qty Weight (Lb)
PB-BYP-100-2	2	10	10

Hardware Contents	PB-BYP-100-2
Door stop-0880	1
Finger pull-0864-US15	2
Door guide-0909	1
Quick release top mount plate-1800-DBA	4
Wrench-8665	1
4-wheel ball bearing carrier-1806-QR	4
Screws	Yes



PB-BYP-100-2

Door Thickness:
1-3/8" – 1-3/4"

50 60 75 **100** 125 150 175 250 275

By-Pass Door Weight (Lb)

BYP-50S | BYP-60S | 60A | 60AFR | 60AFS | 60AFS3 | 60SW | 60APW | BYP-75AFW | 75S | 75A

BYP-100A | BYP-125A | BYP-150A | BYP-250A | BYP-175I | 275I | Components

Components

SKU	Description	Pack Qty	Pack Qty Weight (Lb)
BK-0351	Non-adjustable door guide	50	3
BK-0351-WT	Non-adjustable door guide (white)	50	3
BK-0354	3/4" riser, fits 0351 and 0353	50	6
BK-0864-US3	3/4" finger pull (bright brass)	100	1
BK-0865-WT	1-3/4" finger pull (white)	100	2
BK-1606-QR	4-wheel ball bearing carrier, 7/8" diameter wheels	20	4
BK-1800-DBA	Quick release top mount plate	20	2
BN-0353	Adjustable door guide, 3/4" to 1-3/8"	100	4
BN-0868-US10B	2-1/8" finger pull (oil rubbed bronze)	150	5
BN-0868-US15	2-1/8" finger pull (satin nickel)	150	5
BN-0868-US26	2-1/8" finger pull (bright chrome)	150	5
BN-0868-US3	2-1/8" finger pull (bright brass)	150	5
BN-0868-US5	2-1/8" finger pull (antique brass)	150	5
BN-0880	Angle door stop	100	6
PB-0909	Guide for 2 doors from 3/4" to 1-3/4"	20	4
PB1068-26DA	Sliding door lock, nickel, keyed alike	5	2
PB1068-US26D	Sliding door lock, nickel, keyed different	5	2
PB1068-US3	Sliding door lock, brass, keyed different	5	2
PB1068-US3A	Sliding door lock, brass, keyed alike	5	2



BYP-125A Series

Aluminum track hardware for 125 lb by-pass doors.



Hardware for heavy-weight two panel by-pass doors. The BYP-125A series features adjustable door guides and 4-wheel carriers for smooth door movement. Ideal for 125 lb by-pass doors used in commercial and residential interior closets, pantries, and room dividers.

Door thickness: 1-3/8" to 1-3/4"

Load rating: Up to 125 lbs per door

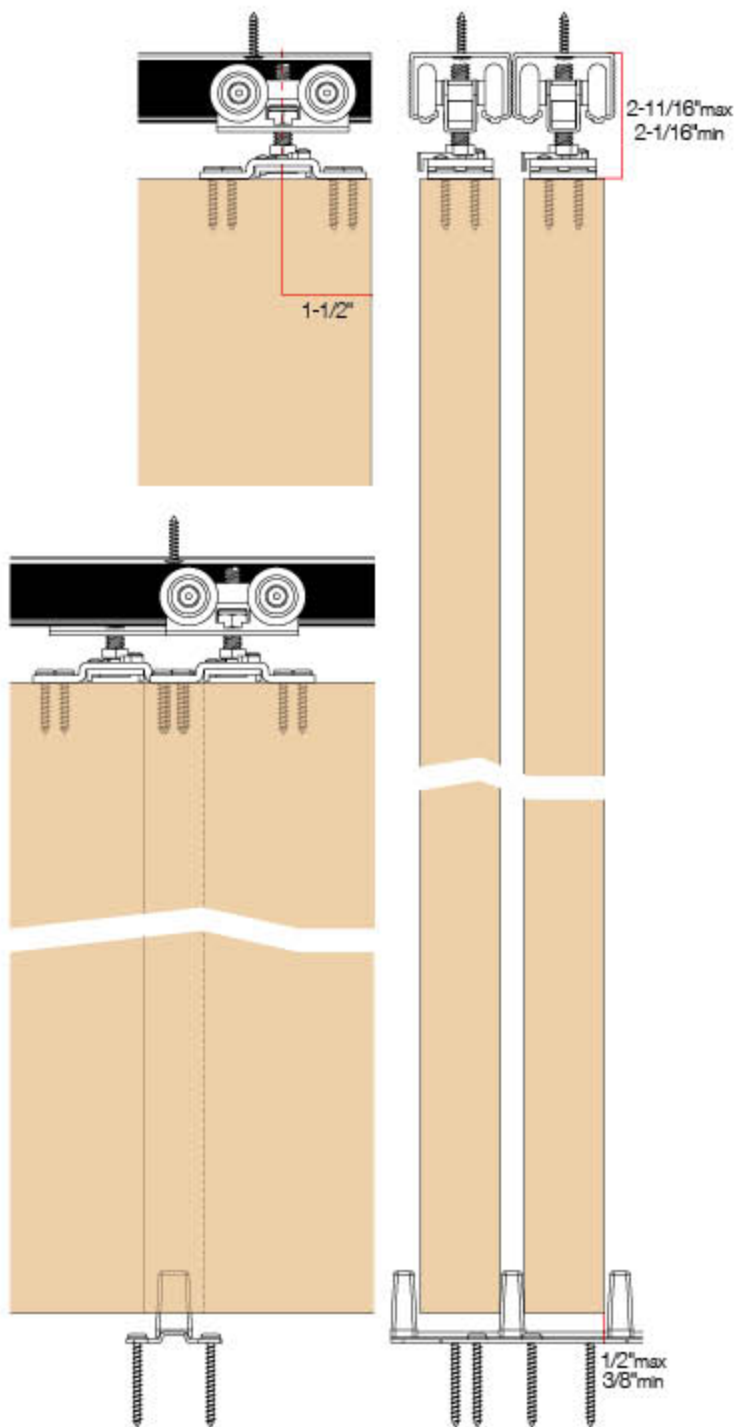
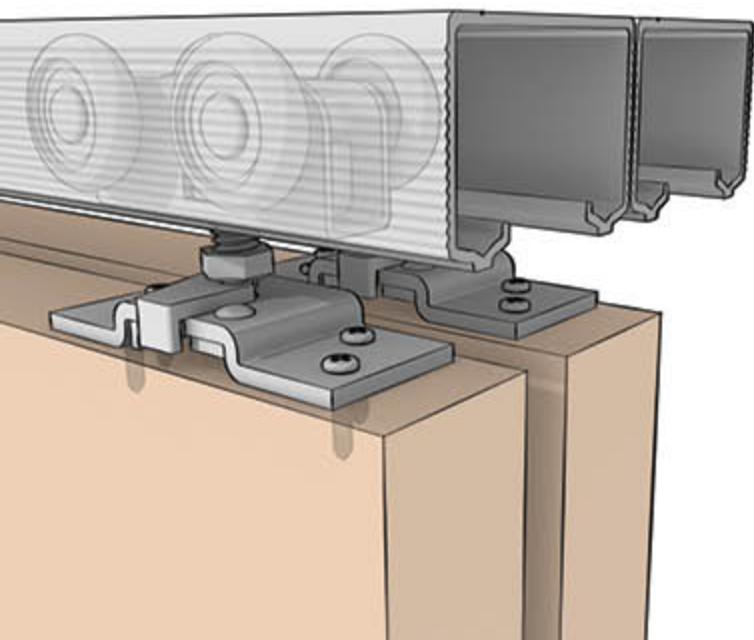
Track material: Single aluminum box track

Carrier: 4-wheel low friction bearing

Compares to: Johnson 134F, 138F

Conforms to: ANSI/BHMA A156.14-2007
Grade 1, D8731, D8741, D8742

BYP-125A series configuration



Door Thickness:
1-3/8" – 1-3/4"

50 60 75 100 **125** 150 175 250 275
By-Pass Door Weight (Lb)

BYP-50S | BYP-60S | 60A | 60AFR | 60AFS | 60AFS3 | 60SW | 60APW | BYP-75AFW | 75S | 75A
BYP-100A | **BYP-125A** | BYP-150A | BYP-250A | BYP-175I | 275I | Components

Packaged Sets

SKU	Door Panel Configurations	Pack Qty	Pack Qty Weight (Lb)
BYP-125A-2D-4	2 x 24" doors	5	28
BYP-125A-2D-5	2 x 30" doors	5	30
BYP-125A-2D-6	2 x 36" doors	5	32
BYP-125A-2D-8	2 x 48" doors	5	35

Hardware Contents	BYP-125A-2D-4	BYP-125A-2D-5	BYP-125A-2D-6	BYP-125A-2D-8
Track-2001	2 x 47"	2 x 59"	2 x 71"	2 x 95"
Door stop-0880	1	1	1	1
Spacer kit-2074 for 1-3/4" doors	1	1	1	1
Door guide-0909	1	1	1	1
Quick release top mount plate-1800-DBA	4	4	4	4
4-wheel carriers-2004	4	4	4	4
Wrench-8710	1	1	1	1
Screws	Yes	Yes	Yes	Yes



BYP-125A-2D

Tracks

SKU	Description	Pack Qty	Pack Qty Weight (Lb)
BK-2001-47	47" Aluminum track	10	14
BK-2001-59	59" Aluminum track	10	17
BK-2001-71	71" Aluminum track	10	20
BK-2001-96	96" Aluminum track	10	28
BK-2001-144	144" Aluminum track	10	42

Note: For by-pass applications, two box tracks are required.

Fascia with Header

BK-1709-72	72" Aluminum fascia	10	17
BK-1709-96	96" Aluminum fascia	10	22



BK-2001 aluminum tracks



BK-1709 aluminum fascia

Part Bags

SKU	Door Panels	Pack Qty	Pack Qty Weight (Lb)
PB-BYP-125-2	2	10	10

Hardware Contents

PB-BYP-125-2

Spacer kit-2074	1
Door guide-0909	1
Quick release top mount plate-1800-DBA	4
Wrench-8710	1
4-wheel carrier-2004	4
Door stop-0880	1
Screws	yes



PB-BYP-125-2

Door Thickness:
1-3/8" – 1-3/4"

50 60 75 100 **125** 150 175 250 275

By-Pass Door Weight (Lb)

BYP-50S | BYP-60S | 60A | 60AFR | 60AFS | 60AFS3 | 60SW | 60APW | BYP-75AFW | 75S | 75A
 BYP-100A | **BYP-125A** | BYP-150A | BYP-250A | BYP-175I | 275I | Components

Components

SKU	Description	Pack Qty	Pack Qty Weight (Lb)
2074-Spacer	Spacer kit for 1-3/4" doors	20	1
BK-0351	Non-adjustable door guide	50	3
BK-0351-WT	Non-adjustable door guide (white)	50	3
BK-0354	3/4" riser, fits 0351 and 0353	50	6
BK-0864-US3	3/4" finger pull (bright brass)	100	1
BK-0865-WT	1-3/4" finger pull (white)	100	2
BN-0353	Adjustable door guide, 3/4" to 1-3/8"	100	4
BN-0868-US10B	2-1/8" finger pull (oil rubbed bronze)	150	5
BN-0868-US15	2-1/8" finger pull (satin nickel)	150	5
BN-0868-US26	2-1/8" finger pull (bright chrome)	150	5
BN-0868-US3	2-1/8" finger pull (bright brass)	150	5
BN-0868-US5	2-1/8" finger pull (antique brass)	150	5
BN-0880	Angle door stop	100	6
PB-0909	Guide for 2 doors from 3/4" to 1-3/4"	20	4
PB-2004	4-wheel carrier, 1" diameter wheels with quick release top mount plate	20	6
PB1068-26DA	Sliding door lock, nickel, keyed alike	5	2
PB1068-US26D	Sliding door lock, nickel, keyed different	5	2
PB1068-US3	Sliding door lock, brass, keyed different	5	2
PB1068-US3A	Sliding door lock, brass, keyed alike	5	2



BYP-150A Series

Aluminum track hardware for 150 lb by-pass doors.



Hardware for heavy-weight two panel by-pass doors.

The BYP-150A series features adjustable door guides and 4-wheel ball bearing carriers for smooth and quiet door movement. Ideal for 150 lb by-pass doors used in commercial and residential interior closets, pantries, and room dividers.

Door thickness: 1-3/8" to 1-3/4"

Load rating: Up to 150 lbs per door

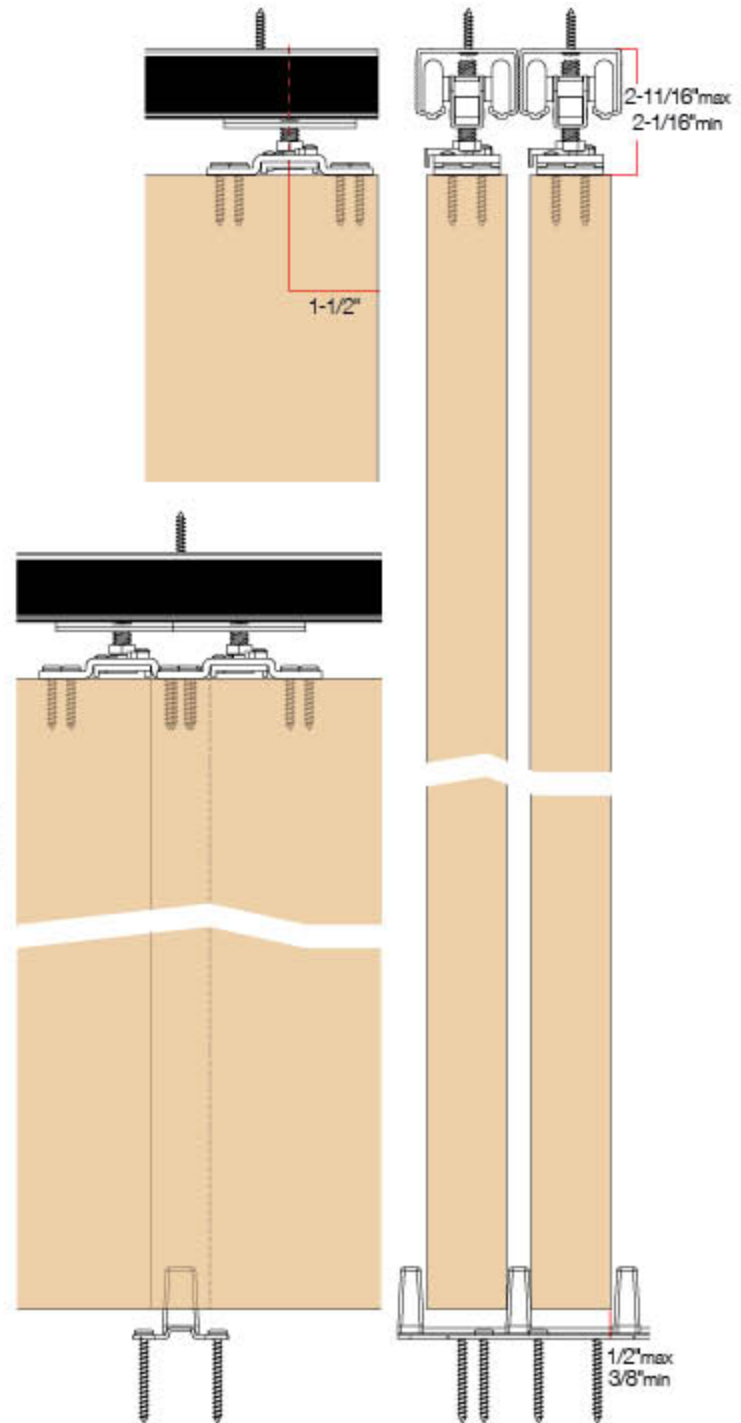
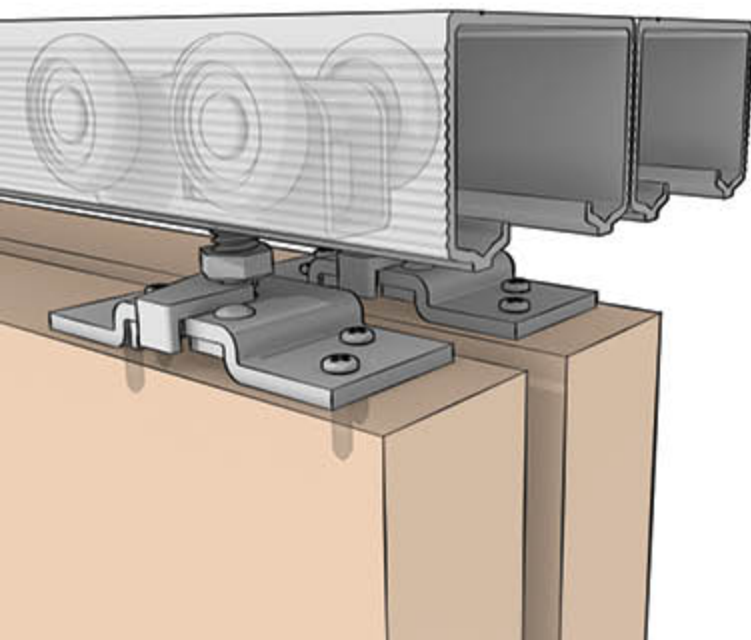
Track: Single aluminum box track

Carrier: 4-wheel ball bearing

Compares to: Hettich/Grant 72-034, 72-118, 72-134, 72-138, 72-222, 72-223, 73-034, 73-134, 73-138, Johnson 111SD, Stanley BP150N

Conforms to: ANSI/BHMA A156.14-2007 Grade 1, D8731, D8741, D8742

BYP-150A series configuration



Door Thickness:
1-3/8" – 1-3/4"

50 60 75 100 125 **150** 175 250 275

By-Pass Door Weight (Lb)

BYP-50S | BYP-60S | 60A | 60AFR | 60AFS | 60AFS3 | 60SW | 60APW | BYP-75AFW | 75S | 75A
BYP-100A | BYP-125A | **BYP-150A** | BYP-250A | BYP-175I | 275I | Components

Packaged Sets

SKU	Door Panel Configuration	Pack Qty	Pack Qty Weight (Lb)
BYP-150A-2D-4	2 x 24" doors	5	29
BYP-150A-2D-5	2 x 30" doors	5	31
BYP-150A-2D-6	2 x 36" doors	5	33
BYP-150A-2D-8	2 x 48" doors	5	36

Hardware Contents	BYP-150A-2D-4	BYP-150A-2D-5	BYP-150A-2D-6	BYP-150A-2D-8
Track-2001	2 x 47"	2 x 59"	2 x 71"	2 x 95"
Door stop-0880	1	1	1	1
Spacer kit-2074 for 1-3/4" doors	1	1	1	1
Door guide-0909	1	1	1	1
Quick release top mount plate-1800-DBA	4	4	4	4
Wrench-8710	1	1	1	1
4-wheel ball bearing carriers-2004-BB	4	4	4	4
Screws	Yes	Yes	Yes	Yes



BYP-150A-2D

Tracks

SKU	Description	Pack Qty	Pack Qty Weight (Lb)
BK-2001-47	47" Aluminum track	10	14
BK-2001-59	59" Aluminum track	10	17
BK-2001-71	71" Aluminum track	10	20
BK-2001-96	96" Aluminum track	10	28
BK-2001-144	144" Aluminum track	10	42

Note: For by-pass applications, two box tracks are required.

Fascia with Header

BK-1709-72	72" Aluminum fascia	10	17
BK-1709-96	96" Aluminum fascia	10	22



BK-2001 aluminum tracks



BK-1709 aluminum fascia

Part Bags

SKU	Door Panels	Pack Qty	Pack Qty Weight (Lb)
PB-BYP-150-2	2	10	10

Hardware Contents

PB-BYP-150-2

Spacer kit-2074	1
Door guide-0909	1
Quick release top mount plate-1800-DBA	4
Wrench-8710	1
4-wheel ball bearing carrier-2004-BB	4
Door stop-0880	1
Screws	Yes



PB-BYP-150-2

Door Thickness:
1-3/8" – 1-3/4"

50 60 75 100 125 **150** 175 250 275

By-Pass Door Weight (Lb)

BYP-50S | BYP-60S | 60A | 60AFR | 60AFS | 60AFS3 | 60SW | 60APW | BYP-75AFW | 75S | 75A
BYP-100A | BYP-125A | **BYP-150A** | BYP-250A | BYP-175I | 275I | Components

Components

SKU	Description	Pack Qty	Pack Qty Weight (Lb)
2074-Spacer	Spacer kit for 1-3/4" doors	20	1
BK-0351	Non-adjustable door guide	50	3
BK-0351-WT	Non-adjustable door guide (white)	50	3
BK-0354	3/4" riser, fits 0351 and 0353	50	6
BK-0864-US3	3/4" finger pull (bright brass)	100	1
BK-0865-WT	1-3/4" finger pull (white)	100	2
BN-0353	Adjustable door guide, 3/4" to 1-3/8"	100	4
BN-0868-US10B	2-1/8" finger pull (oil rubbed bronze)	150	5
BN-0868-US15	2-1/8" finger pull (satin nickel)	150	5
BN-0868-US26	2-1/8" finger pull (bright chrome)	150	5
BN-0868-US3	2-1/8" finger pull (bright brass)	150	5
BN-0868-US5	2-1/8" finger pull (antique brass)	150	5
BN-0880	Angle door stop	100	6
PB-0909	Guide for 2 doors from 3/4" to 1-3/4"	20	4
PB-2004-BB	4-wheel ball bearing carrier, 1" diameter wheels with quick release top mount plate	10	3
PB1068-26DA	Sliding door lock, nickel, keyed alike	5	2
PB1068-US26D	Sliding door lock, nickel, keyed different	5	2
PB1068-US3	Sliding door lock, brass, keyed different	5	2
PB1068-US3A	Sliding door lock, brass, keyed alike	5	2



BYP-250A Series

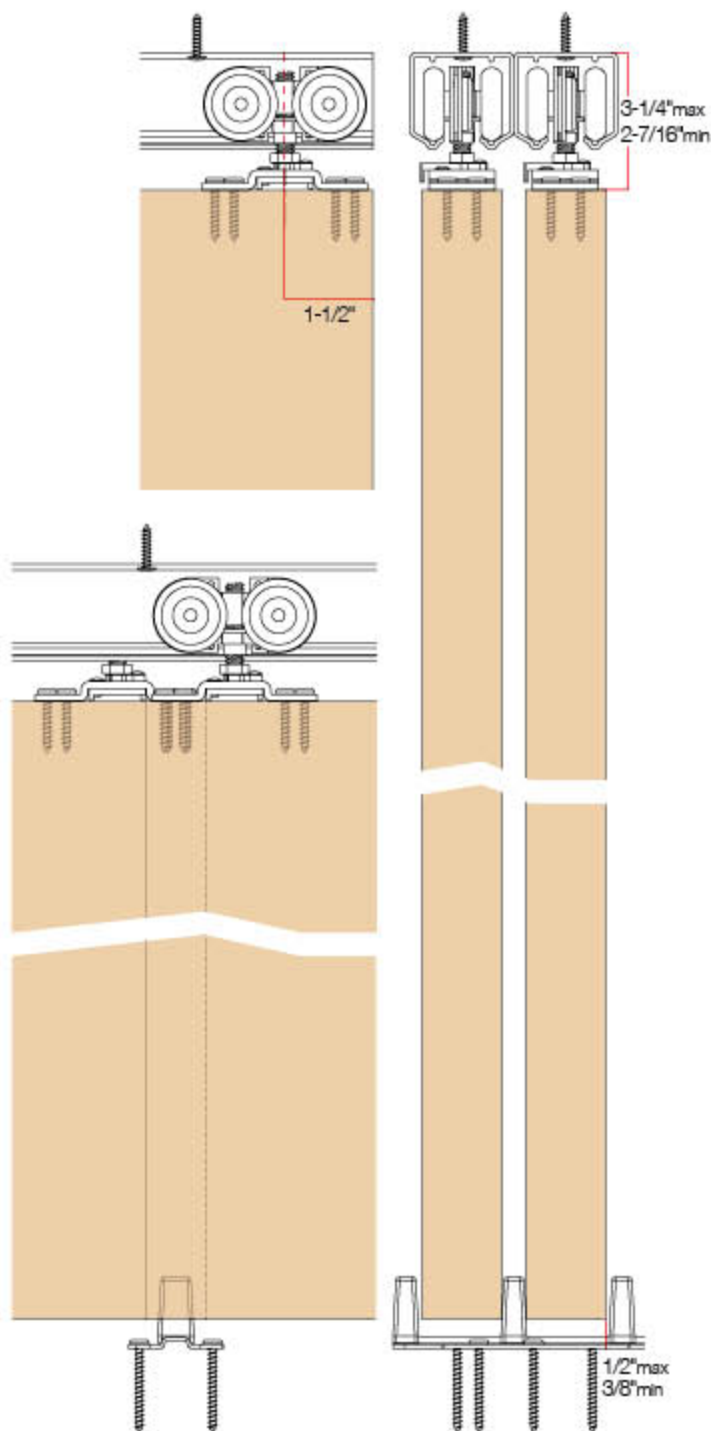
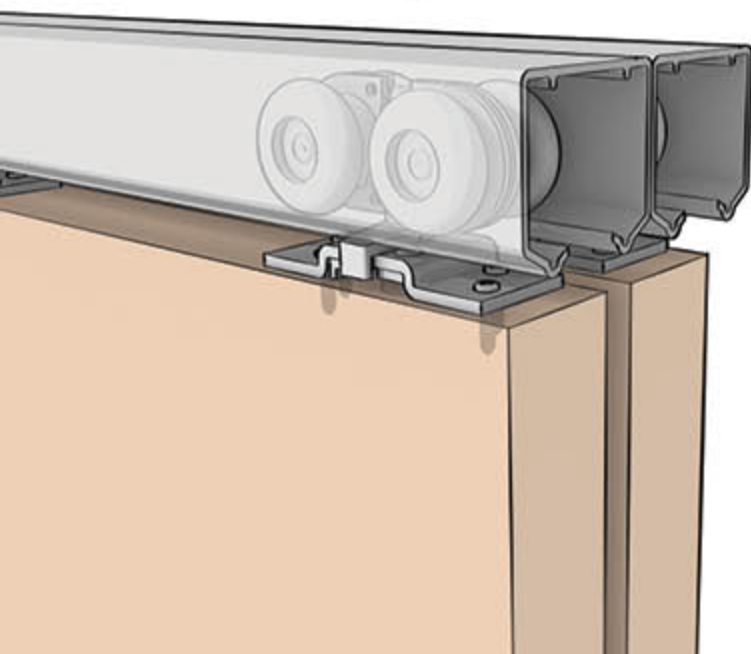
Aluminum track hardware for 250 lb by-pass doors.



Hardware for super heavy-weight two panel by-pass doors. The BYP-250A series features 4-wheel ball bearing carriers and quick release top mount plate for smooth and quiet door movement. Ideal for 250 lb by-pass doors used in a wide range of commercial and residential interior applications.

Door thickness:	1-3/8" to 1-3/4"
Load rating:	Up to 250 lbs per door
Track:	Single aluminum box track
Carrier:	4-wheel ball bearing
Compares to:	Johnson 100SD, Stanley BP250N
Conforms to:	ANSI/BHMA A156.14-2007 Grade 1, D8731, D8741, D8742, D8011, D8012

BYP-250A series configuration



Door Thickness:
1-3/8" – 1-3/4"

50 60 75 100 125 150 175 **250** 275

By-Pass Door Weight (Lb)

BYP-50S | BYP-60S | 60A | 60AFR | 60AFS | 60AFS3 | 60SW | 60APW | BYP-75AFW | 75S | 75A
BYP-100A | BYP-125A | BYP-150A | **BYP-250A** | BYP-175I | 275I | Components

Packaged Sets

SKU	Door Panel Configuration	Pack Qty	Pack Qty Weight (Lb)
BYP-250A-2D-4	2 x 24" doors	5	35
BYP-250A-2D-5	2 x 30" doors	5	41
BYP-250A-2D-6	2 x 36" doors	5	46
BYP-250A-2D-8	2 x 48" doors	5	58

Hardware Contents	BYP-250A-2D-4	BYP-250A-2D-5	BYP-250A-2D-6	BYP-250A-2D-8
Track-1801	2 x 48"	2 x 60"	2 x 72"	2 x 96"
Spacer kit-2074 for 1-3/4" doors	1	1	1	1
Door guide-0909	1	1	1	1
Quick release top mount plate-1800-DBA	4	4	4	4
Wrench-8710	1	1	1	1
4-wheel ball bearing carriers-1820	4	4	4	4
Screws	Yes	Yes	Yes	Yes



BYP-250A-2D

Tracks

SKU	Description	Pack Qty	Pack Qty Weight (Lb)
BK-1801-48	48" Aluminum track	5	9
BK-1801-60	60" Aluminum track	5	12
BK-1801-72	72" Aluminum track	5	14
BK-1801-96	96" Aluminum track	5	19
BK-1801-120	120" Aluminum track	5	23
BK-1801-144	144" Aluminum track	5	28
BK-1801-192	192" Aluminum track	5	37

Note: For by-pass applications, two box tracks are required.

Fascia with Header

BK-1809-72	72" Aluminum fascia	10	30
BK-1809-96	96" Aluminum fascia	10	41



BK-1801 aluminum tracks



BK-1809 aluminum fascia track

Part Bags

SKU	Door Panels	Pack Qty	Pack Qty Weight (Lb)
PB-BYP-250-2	2	10	12

Hardware Contents

PB-BYP-250-2

Spacer kit-2074	1
Door guide-0909	1
Quick release top mount plate-1800-DBA	4
Wrench-8710	1
4-wheel ball bearing carrier-1820	4
Screws	Yes



PB-BYP-250-2

Door Thickness:
1-3/8" – 1-3/4"

50 60 75 100 125 150 175 **250** 275

By-Pass Door Weight (Lb)

BYP-50S BYP-60S | 60A | 60AFR | 60AFS | 60AFS3 | 60SW | 60APW BYP-75AFW | 75S | 75A
BYP-100A BYP-125A BYP-150A **BYP-250A** BYP-175I | 275I Components

Components

SKU	Description	Pack Qty	Pack Qty Weight (Lb)
2074-Spacer	Spacer kit for 1-3/4" doors	20	1
BK-0351	Non-adjustable door guide	50	3
BK-0351-WT	Non-adjustable door guide (white)	50	3
BK-0354	3/4" riser, fits 0351 and 0353	50	6
BK-0864-US3	3/4" finger pull (bright brass)	100	1
BK-0865-WT	1-3/4" finger pull (white)	100	2
BK-1800-DBA	Quick release top mount plate	20	2
BK-1820	4-wheel ball bearing carrier, 1-1/4" diameter wheels	20	6
BK-1922-144	144" bottom track	5	15
BK-1922-96	96" bottom track	5	10
BN-0353	Adjustable door guide, 3/4" to 1-3/8"	100	4
BN-0868-US10B	2-1/8" finger pull (oil rubbed bronze)	150	5
BN-0868-US15	2-1/8" finger pull (satin nickel)	150	5
BN-0868-US26	2-1/8" finger pull (bright chrome)	150	5
BN-0868-US3	2-1/8" finger pull (bright brass)	150	5
BN-0868-US5	2-1/8" finger pull (antique brass)	150	5
BN-0880	Angle door stop	100	6
PB-0909	Guide for 2 doors from 3/4" to 1-3/4"	20	4
PB-1921	Roller guide	20	
PB1068-26DA	Sliding door lock, nickel, keyed alike	5	2
PB1068-US26D	Sliding door lock, nickel, keyed different	5	2
PB1068-US3	Sliding door lock, brass, keyed different	5	2
PB1068-US3A	Sliding door lock, brass, keyed alike	5	2



BYP-175I and 275I Series

Aluminum I-beam hardware for 175 lb and 275 lb by-pass doors.



Hardware for ultra heavy-weight two panel by-pass doors. The BYP-175I and 275I series features a heavy-duty I-beam track for smooth and sturdy door movement. Ideal for 175-275 lb by-pass doors used in a wide range of commercial and residential interior applications.

Door thickness: 1" to 1-3/4"

Load rating: BYP-175I - 175 lbs
BYP-275I - 275 lbs

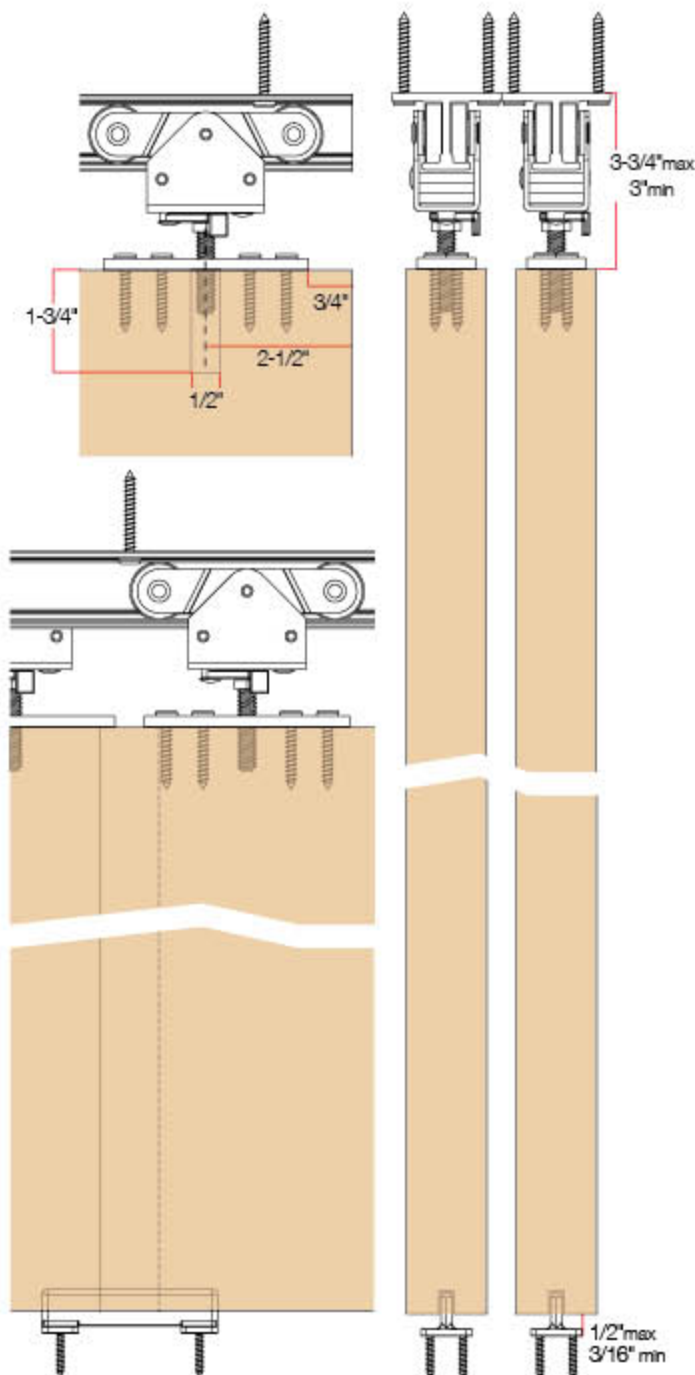
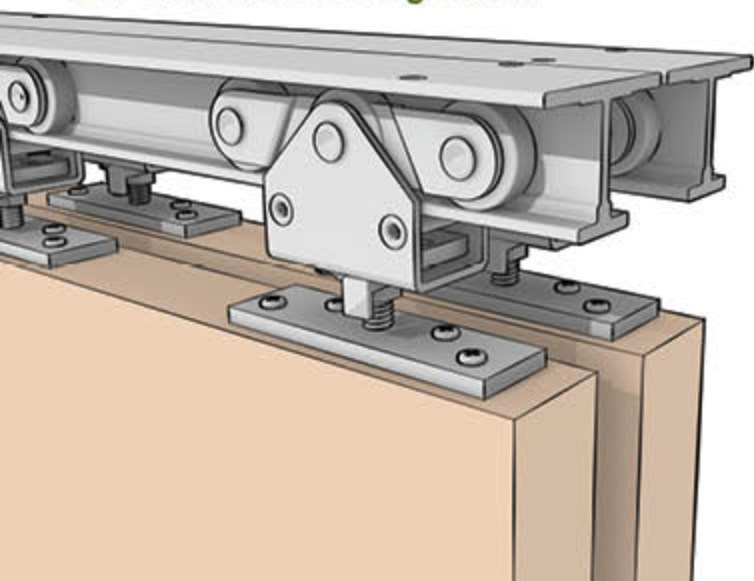
Track: Aluminum I-beam track

Carrier: 2 or 4-wheel ball bearing

Compares to: Hettich/Grant 72-034, 72-118, 72-134, 72-138, 72-222, 72-223, Johnson 200SD

Conforms to: 175I - ANSI/BHMA A156.14-2007 Grade 1, D8731, D8741, D8742,
275I - ANSI/BHMA A156.14-2007 Grade 1, D8731, D8741, D8742, D8011, D8012

BYP-275I series configuration



Door Thickness:
1" – 1-3/4"

50 60 75 100 125 150 **175** 250 **275**

By-Pass Door Weight (lbs.)

BYP-50S | BYP-60S | 60A | 60AFR | 60AFS | 60AFS3 | 60SW | 60APW | BYP-75AFW | 75S | 75A
BYP-100A | BYP-125A | BYP-150A | BYP-250A | **BYP-175I | 275I** | Components

Packaged Sets

SKU	Door Panel Configuration	Pack Qty	Pack Qty Weight (Lb)
BYP-175I-2D-5	2 x 30" doors	5	49
BYP-175I-2D-6	2 x 36" doors	5	55
BYP-175I-2D-8	2 x 48" doors	5	68
BYP-175I-2D-12	2 x 72" doors	5	95
BYP-275I-2D-5	2 x 30" doors	5	53
BYP-275I-2D-6	2 x 36" doors	5	59
BYP-275I-2D-8	2 x 48" doors	5	72
BYP-275I-2D-12	2 x 72" doors	5	99

Hardware Contents	BYP-175I-2D-5	BYP-175I-2D-6	BYP-175I-2D-8	BYP-175I-2D-12	BYP-275I-2D-5	BYP-275I-2D-6	BYP-275I-2D-8	BYP-275I-2D-12
Track-1901	2 x 60"	2 x 72"	2 x 96"	2 x 144"	2 x 60"	2 x 72"	2 x 96"	2 x 144"
2-wheel ball bearing carrier-8542-QR (175I Series)	4	4	4	4	-	-	-	-
4-wheel ball bearing carrier-8544-QR (275I Series)	-	-	-	-	4	4	4	4
Floor guide-1915	2	2	2	2	2	2	2	2
Door mounting plate assembly-8632	2	2	2	2	2	2	2	2
Screws	Yes	Yes	Yes	Yes	Yes	Yes	Yes	Yes



BYP-175I-2D



BYP-275I-2D

Tracks

SKU	Description	Pack Qty	Pack Qty Weight (Lb)
BK-1901-60	60" Aluminum I-beam track	5	16
BK-1901-72	72" Aluminum I-beam track	5	19
BK-1901-96	96" Aluminum I-beam track	5	25
BK-1901-120	120" Aluminum I-beam track	5	31
BK-1901-144	144" Aluminum I-beam track	5	38

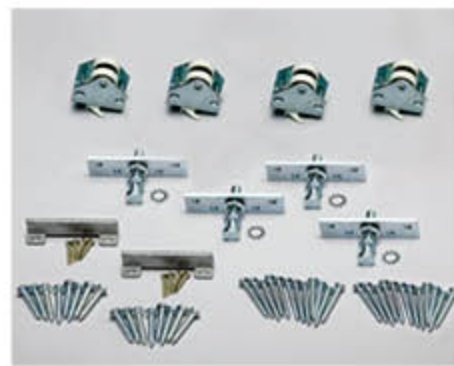
Note: For by-pass applications, two I-Beam tracks are required.



Part Bags

SKU	Door Panels	Pack Qty	Pack Qty Weight (Lb)
PB-BYP-175I-2	2	10	17
PB-BYP-275I-2	2	10	33

Hardware Contents	PB-BYP-175I-2	PB-BYP-275I-2
2-wheel ball bearing carrier-8542-QR	4	-
4-wheel ball bearing carrier-8544-QR	-	4
Floor guide-1915	2	2
Door mounting plate assembly-8632	2 pair	2 pair
Screws	Yes	Yes



PB-BYP-175I-2



PB-BYP-275I-2

Door Thickness:
1" - 1-3/4"

50 60 75 100 125 150 **175** 250 **275**

By-Pass Door Weight (lbs.)

BYP-50S | BYP-60S | 60A | 60AFR | 60AFS | 60AFS3 | 60SW | 60APW | BYP-75AFW | 75S | 75A
 BYP-100A | BYP-125A | BYP-150A | BYP-250A | **BYP-175I | 275I** | Components

Components

SKU	Description	Pack Qty	Pack Qty Weight (Lb)
BK-1900	Door stop	20	10
BK-1911	Fixed bottom door guide	20	8
BK-1914-72	Guide rail	20	12
BK-1914-96	Guide rail	20	13
BK-1914-120	Guide rail	20	15
BK-1914-144	Guide rail	20	18
BK-1915	Bottom door guide	20	3
PB1068-26DA	Sliding door lock, nickel, keyed alike	5	2
PB1068-US26D	Sliding door lock, nickel, keyed different	5	2
PB1068-US3	Sliding door lock, brass, keyed different	5	2
PB1068-US3A	Sliding door lock, brass, keyed alike	5	2



BK-1900 BK-1911 BK-1914-72 BK-1914-96 BK-1914-120 BK-1914-144 BK-1915 PB1068-26DA PB1068-US26D PB1068-US3



PB1068-US3A

BY-PASS COMPONENTS



- 1574 Spacer** Spacer kit
- **Materials:** Plastic
 - **Notes:** Includes screws. Used in the 75S series.



- BK-0354** Carpet riser
- **Materials:** Steel with bright zinc finish
 - **Rise:** 3/4" (19mm)
 - **Notes:** For mounting 0351 and 0353 floor guides over carpeting.



- 2074 Spacer** Spacer kit
- **Materials:** Plastic
 - **Notes:** Includes screws. Used in the 75S, 125A, 150A and 250A series.



- BK-0400-A** Single wheel carrier
- **Materials:** Zinc plated with molded plastic wheels
 - **Wheel:** 3/4" diameter
 - **Notes:** Side mounted with precise cam adjustment. "A" offset is 3/8".



- BK-0200-A** Single wheel carrier
- **Materials:** Zinc plated steel with molded plastic wheels
 - **Wheel:** 3/4" diameter
 - **Notes:** Side mounted with slot adjust offset. "A" is offset of 3/8".



- BK-0400-B** Single wheel carrier
- **Materials:** Zinc plated with molded plastic wheels
 - **Wheel:** 3/4" diameter
 - **Notes:** Side mounted with precise cam adjustment. "B" offset is 11/16".



- BK-0200-B** Single wheel carrier
- **Materials:** Zinc plated steel with molded plastic wheels
 - **Wheel:** 3/4" diameter
 - **Notes:** Side mounted with slot adjust offset. "B" is offset of 11/16".



- BK-0815** Snagger
- **Materials:** Zinc plated steel and rubber
 - **Notes:** Screws onto track.



- BK-0351** Non-adjustable door guide
- **Materials:** High density polyethylene
 - **Dimensions:** 4-9/16" x 1" x 11-3/16" (116mm x 25mm x 46mm)
 - **Notes:** For door thickness up to 1-3/4".



- BK-0864-US3** Pull
- **Finish:** Brass
 - **Diameter:** 3/4"



- BK-0351-WT** Non-adjustable door guide
- **Materials:** High density polyethylene, white
 - **Dimensions:** 4-9/16" x 1" x 11-3/16" (116mm x 25mm x 46mm)
 - **Notes:** For door thickness up to 1-3/4".



- BK-0864-US15** Pull
- **Finish:** Satin Nickel
 - **Diameter:** 3/4"



- BK-0865-WT Pull**
- **Finish:** White
 - **Diameter:** 1-3/4"



- BK-1911 Fixed bottom door guide**
- **Notes:** Fixed bottom door guide for I-beam applications.



- BK-1572-QR 4-wheel carrier**
- **Materials:** Steel with zinc finish
 - **Wheel:** 7/8" (22mm) diameter
 - **Notes:** Wheel self-align for consistent contact with track. Lubricated plastic wheels.



- BK-1914-72 Bottom guard rail**
- **Materials:** Aluminum
 - **Guide:** 7/8" x 1/2" (22mm x 13mm)
 - **Notes:** Door bottom prep requires 1/4" (6mm) kerf and 9/16" (14mm) depth. Pre-punched for use with flat head screws.



- BK-1606-QR 4-wheel ball bearing carrier**
- **Materials:** Steel with brass dichromate finish
 - **Wheel:** 7/8" (22mm) diameter
 - **Notes:** Wheels self-align for consistent contact with track. Lubricated plastic wheels on steel ball bearing shafts.



- BK-1914-96 Bottom guard rail**
- **Materials:** Aluminum
 - **Guide:** 7/8" x 1/2" (22mm x 13mm)
 - **Notes:** Door bottom prep requires 1/4" (6mm) kerf and 9/16" (14mm) depth. Pre-punched for use with flat head screws.



- BK-1800-DBA Quick release top mount**
- **Materials:** Zinc plated steel with plastic lever
 - **Notes:** Attaches to door. Carrier attaches to plate. Quick release feature.



- BK-1914-120 Bottom guard rail**
- **Materials:** Aluminum
 - **Guide:** 7/8" x 1/2" (22mm x 13mm)
 - **Notes:** Door bottom prep requires 1/4" (6mm) kerf and 9/16" (14mm) depth. Pre-punched for use with flat head screws.



- BK-1820 4-wheel ball bearing carrier**
- **Materials:** Zinc plated steel
 - **Wheel:** 1-1/4" (32mm) diameter
 - **Notes:** Wheels self-align for consistent contact with track. Lubricated plastic wheels on steel shafts with steel ball bearings.



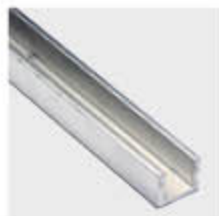
- BK-1914-144 Bottom guard rail**
- **Materials:** Aluminum
 - **Guide:** 7/8" x 1/2" (22mm x 13mm)
 - **Notes:** Door bottom prep requires 1/4" (6mm) kerf and 9/16" (14mm) depth. Pre-punched for use with flat head screws.



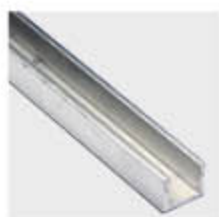
- BK-1900 Door stop**
- **Notes:** Heavy-duty I-Beam door stop.



- BK-1915 Bottom door guide**
- **Materials:** Aluminum
 - **Guide:** 7/8" x 3/4" x 3" (22mm x 19mm x 76mm)
 - **Notes:** Door bottom prep requires 1/4" (6mm) kerf and 9/16" (14mm) depth.



- BK-1922-144** Bottom track
- **Materials:** Extruded aluminum
 - **Channel:** 5/8" x 3/4" (16mm x 19mm)
 - **Notes:** Screws not provided. Mortised into floor or surface mounted.



- BK-1922-96** Bottom track
- **Materials:** Extruded aluminum
 - **Channel:** 5/8" x 3/4" (16mm x 19mm)
 - **Notes:** Screws not provided. Mortised into floor or surface mounted.



- BK-7200-A** Single wheel carrier
- **Materials:** Zinc plated steel with molded plastic wheels
 - **Wheel:** 7/8" diameter
 - **Notes:** Side mounted with slot adjust offset. "A" offset is 3/8".



- BK-7200-ATW** Twin wheel carrier
- **Materials:** Zinc plated steel with molded plastic wheels
 - **Wheel:** 7/8" diameter
 - **Notes:** Side mounted with slot adjust offset. "A" offset is 3/8".



- BK-7200-B** Single wheel carrier
- **Materials:** Zinc plated steel with molded plastic wheels
 - **Wheel:** 7/8" diameter
 - **Notes:** Side mounted with slot adjust offset. "B" offset is 11/16".



- BK-7200-BTW** Twin wheel carrier
- **Materials:** Zinc plated steel with molded plastic wheels
 - **Wheel:** 7/8" diameter
 - **Notes:** Side mounted with slot adjust offset. "B" offset is 11/16".



- BK-7400-A** Single wheel carrier
- **Materials:** Zinc plated steel with molded plastic wheels
 - **Wheel:** 7/8" diameter
 - **Notes:** Side mounted with precise cam adjustment. "A" offset is 3/8".



- BK-7400-B** Single wheel carrier
- **Materials:** Zinc plated steel with molded plastic wheels
 - **Wheel:** 7/8" diameter
 - **Notes:** Side mounted with precise cam adjustment. "B" offset is 11/16".



- BN-0353** Adjustable door guide
- **Materials:** High density polyethylene
 - **Notes:** Adjustable guide from 3/4" (19mm) to 1-3/8" (35mm).



- BN-0868-US10B** Pull
- **Finish:** Oil rubbed bronze
 - **Diameter:** 2-1/8"



- BN-0868-US15** Pull
- **Finish:** Satin nickel
 - **Diameter:** 2-1/8"



- BN-0868-US26** Pull
- **Finish:** Bright chrome
 - **Diameter:** 2-1/8"



BN-0868-US3 Pull

- **Finish:** Bright brass
- **Diameter:** 2-1/8"



BN-0868-US5 Pull

- **Finish:** Antique brass
- **Diameter:** 2-1/8"



BN-0880 Angle door stop

- **Materials:** Zinc plated steel and rubber
- **Dimensions:** 1-1/4" x 1-1/4" x 7/8" (32mm x 32mm x 22mm)
- **Notes:** Keeps rear door pull exposed. Mounts on door.



PB-0340 Jump-proof guard

- **Materials:** Steel with brass finish
- **Notes:** Includes four guards with screws.



PB-0352 Adjustable door guide

- **Materials:** Steel and plastic
- **Notes:** Adjustable guide from 3/4" (19mm) to 1-3/8" (35mm).



PB-0400-ATW Twin wheel carrier

- **Materials:** Zinc plated steel with molded plastic wheels
- **Wheel:** 3/4" diameter
- **Notes:** Side mounted with precise cam adjustment. "A" is offset 3/8".



PB-0400-BTW Twin wheel carrier

- **Materials:** Zinc plated steel with molded plastic wheels
- **Wheel:** 3/4" diameter
- **Notes:** Side mounted with precise cam adjustment. "B" is offset 11/16".



PB-0909 Adjustable door guide

- **Materials:** Steel with bright zinc and molded plastic
- **Guide:** 4-7/8" x 1-5/8" x 1-3/16" (124mm x 41mm x 30mm)
- **Notes:** Adjustable guide from 3/4" (19mm) to 1-3/4" (44mm).



PB-1921 Bottom roller guide

- **Materials:** Zinc plated steel, bronze roller
- **Guide:** 1" x 3-1/2" x 3/16" (25mm x 89mm x 5mm)
- **Post:** 2-1/2" x 5/16" (64mm x 8mm)



PB-2004 4-wheel carrier

- **Materials:** Zinc plated steel
- **Wheel:** 1" (25mm) diameter
- **Notes:** Wheels self-align for consistent contact with track. Lubricated plastic wheels.



PB-2004-BB 4-wheel ball bearing carrier

- **Materials:** Zinc plated steel
- **Wheel:** 1" (25mm) diameter
- **Notes:** Wheels self-align for consistent contact with track. Lubricated plastic wheels.



PB-3126 Side wall bracket

- **Materials:** Steel with bright zinc
- **Notes:** Mounts along track every foot.



PB1068-26DA Lock

- **Materials:** Steel
- **Notes:** Nickel, keyed alike



PB1068-US26D Lock

- **Materials:** Steel
- **Notes:** Nickel, keyed different (5 key random).



PB1068-US3 Lock

- **Materials:** Steel
- **Notes:** Brass, keyed different (5 key random).



PB1068-US3A Lock

- **Materials:** Steel
- **Notes:** Brass, keyed alike.

BY-PASS CROSS-REFERENCE

KV Series	Hettich/Grant	Johnson	Stanley
BYP-60S	6034	1166, 1138, 113F	-
BYP-60S	6065	1166, 1138, 113F	BP60, BPD60
BYP-60A	6065	2222	BP60, BPD60, BP75-03
BYP-60AFR	6065	2204F, 2200F	BP75-06
BYP-60AFS	6065	2200F	BP75-06
BYP-60AFS3	6065	2200F	BP75-05
BYP-60SW	6065	-	BP75-01
BYP-60AFW	6065	2200F	BP75-03
BYP-75AFW	6065	2200F, 118F	BP75-03
BYP-75S 75A	6064	-	BP75-01, BP75-02
BYP-100A	6064	-	BP75-02
BYP-125A	-	134F, 138F	-
BYP-150A	72-034, 72-118, 72-134, 72-138, 72-222, 72-223, 73-034, 73-134, 73-138	111SD	BP150N
BYP-250A	-	100SD	BP250N
BYP-175I 275I	72-034, 72-118, 72-134, 72-138, 72-222, 72-223	200SD	-