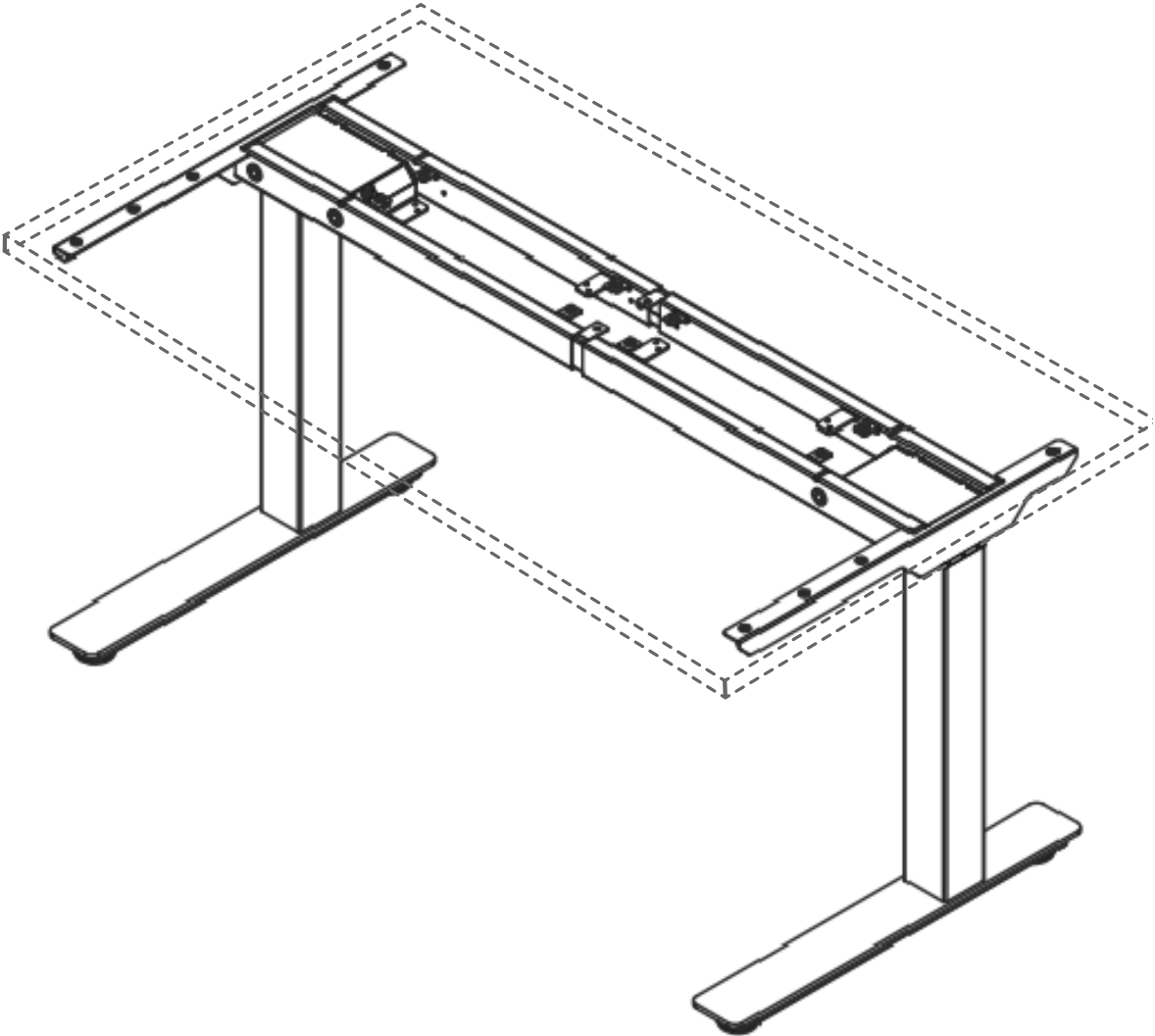


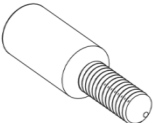
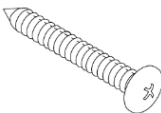
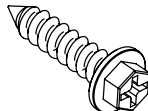
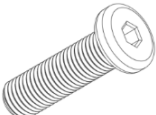
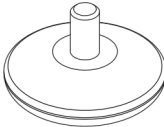
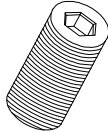
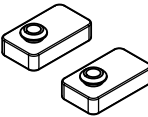
INSTALLATION MANUAL
HEIGHT ADJUSTABLE TABLE: TWO LEG KIT



Contents

Hardware List and Tools Required / Warnings/Disclaimer2
 Installation Instructions - STEP 1 - STEP 83
 Installation Instructions - STEP 9 - STEP 114
 4-Position Memory Control.....4

Hardware List and Tools Required

NUMBER	ITEM	QTY.	TOOL REQUIRED
A	M6 x 15 Bolt 	4 pieces	5mm Allen Key
B	M4 x 25 Phillips Screw 	2 pieces	#2 Phillips Screw Driver
C	#10 x 7/8" L Phillips Screw 	18 pieces	#2 Phillips Screw Driver
D	M10 x 35 Bolt 	8 pieces	5mm Allen Key
E	Leveler 	4 pieces	N/A
F	Set Screw 	4 pieces	4mm Allen Key
G	Top Spacer 	2 pieces	N/A

Warnings/Disclaimers

INSTALLATION WARNINGS:

- Read the entire instruction manual before beginning any installation or assembly.
- Improper installation of this product may cause extensive property damage or serious personal injury, either during or after installation.

DISCLAIMER:

- The manufacturer will bear no responsibility for any damages of any kind arising from improper installation of this product.
- Work surfaces will vary widely and the ultimate method of installing is out of the manufacturers control. It is imperative that the installer consult the work surface installation guide to ensure that it can safely handle the applied load.

ADJUSTMENT NOTIFICATION:

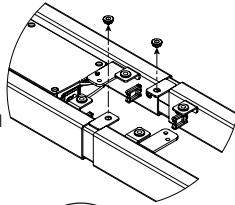
- Routine maintenance checks and adjustments are suggested to properly support the quality and optimal performance of this product.
- Over tightening of bolts during installation or adjustments can damage the product and affect the function and warranty.

Installation Instructions

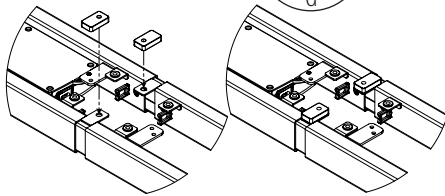
STEP 1

Remove base from box.

A. Apply **Top Spacers** to adjustable-width portion of crossbar by removing standard grommets from center support rails.

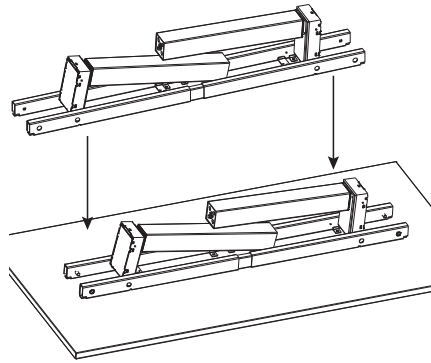


B. Install **Top Spacers** into center support rails.



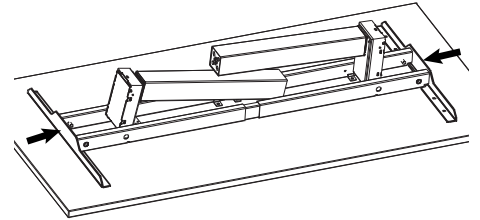
STEP 2

Place the table leg frame on the bottom side of the table top.



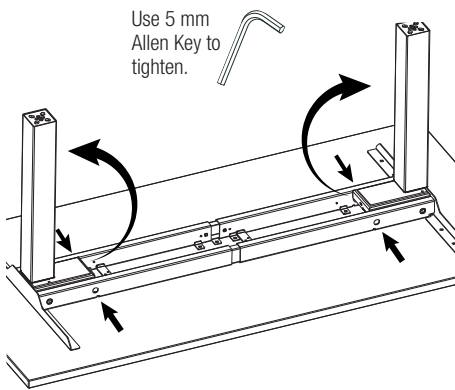
STEP 3

Slide the Side Support Brackets into the left and right ends of the table leg frame. The brackets must be fully inserted into the frame. A rubber mallet may be needed to complete engagement.



STEP 4

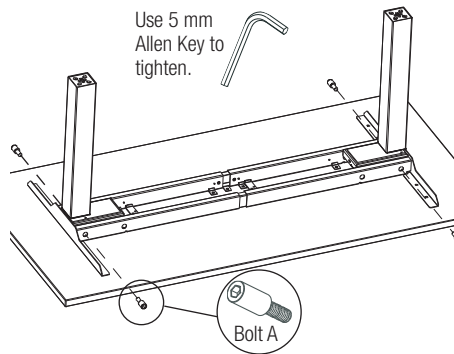
Lift each leg into the final vertical position and tighten the already installed screws.



Use 5 mm Allen Key to tighten.

STEP 5

Insert **4 x Bolt A** through the sides of the table leg frame to secure the side support brackets.

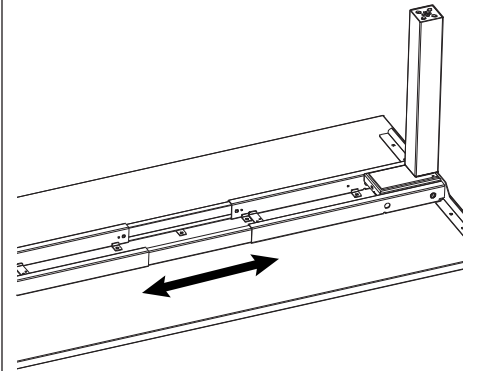


Use 5 mm Allen Key to tighten.

Bolt A

STEP 6

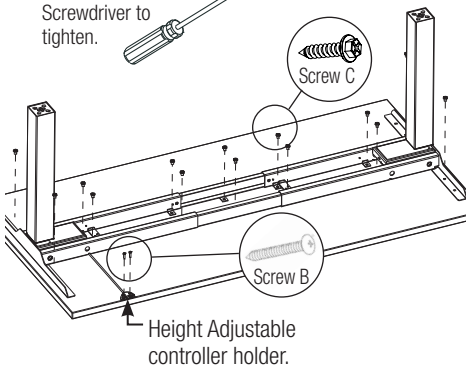
Adjust the width of the table leg frame to fit the table top.



STEP 7

A. Secure the table leg frame to the table top with **18 x Screw C**.

Use a #2 Phillips Screwdriver to tighten.



Screw C

Screw B

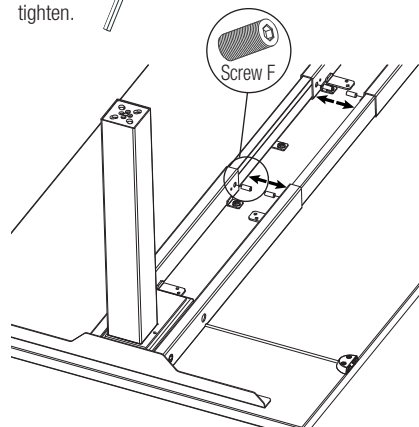
Height Adjustable controller holder.

B. Position the Height Adjustable controller in the final desired location at the edge of the table top. Secure to the table top with **2 x Screw B**.

STEP 8

Tighten the **4 x pre-installed Set Screw F** on the inner side of the table leg frame.

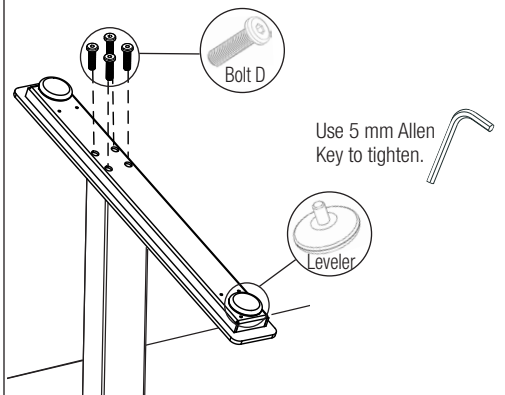
Use 4 mm Allen Key to tighten.



Screw F

STEP 9

Place the table feet onto the ends of the legs. (Ensure the feet are facing the correct direction). Use **8 x Bolt D** to secure the feet to the legs. The Levelers will have to be adjusted once the table is upright to ensure the table is level and stable.



Bolt D

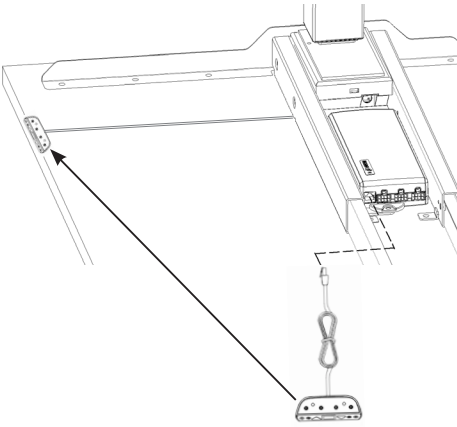
Use 5 mm Allen Key to tighten.

Leveler

Installation Instructions

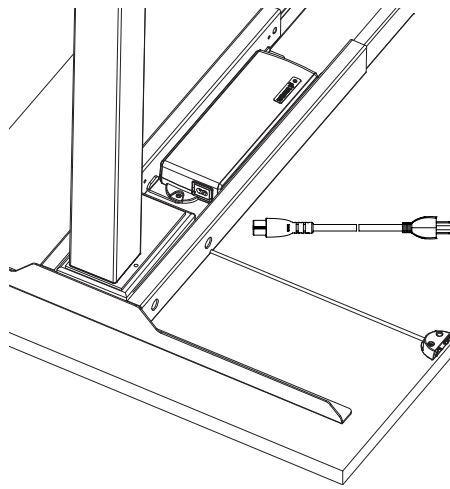
STEP 10

Connect the height adjustment controller cable to the table controller.



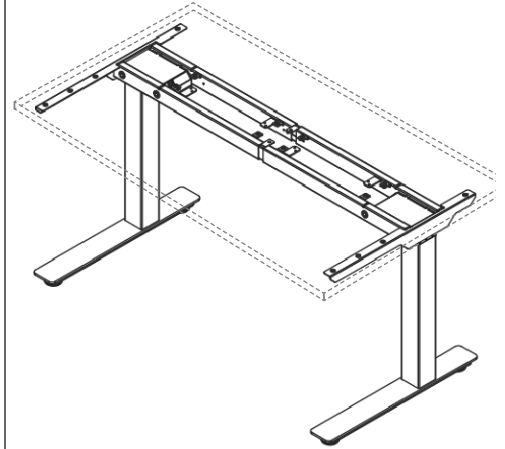
STEP 11

Connect the power cable to the controller.



STEP 12

Flip the table over. Reset the 4-Position Memory Controller before use.



Digital Switch



A RESET ***PERFORM RESET BEFORE FIRST USE***

1. Clear the area under and around the table.
2. Press both ▲ and ▼ buttons at the same time until the table is in its lowest position.
3. The display on the height adjustment controller will show "000" while conducting reset.
4. When height adjustment controller beeps, the buttons can be released and reset is complete.

NOTE: If Collision Detection feature is activated by table contacting an object, the reset function will need to be performed.

B NORMAL OPERATION

1. Press any button and the display shows current height in inches (in).
2. Press and hold ▲ or ▼ button to adjust the height.
3. When no button has been pressed for 30 seconds, the system goes to <0.1 W standby mode, and the display turns off. Press any button to wake the system and display the current base height.

C CALIBRATE

1. **The default starting height for an Extended Electric table is approximately 25", and for a Standard Electric table 27.5".**
2. Press the ▼ button until reaching lowest position. At the lowest position, press ▼ button again for 5 seconds until display starts flashing for 10 seconds.
3. Immediately, press ▲ or ▼ buttons to display the measured table height. Then press ▲ and ▼ buttons together for 3 seconds to store this position.
4. Display stops flashing and the new starting height is shown in the display.

D MEMORY PRESETS

1. Operate the desk to preferred height.
2. Press any of ① ② ③ ④ together with ▲ or ▼ for 2 seconds to store the current height.
Display shows P1/P2/P3/P4 when the position has been stored.
3. To return table/desk to a stored position, hold the memory preset button ① ② ③ ④ until the desk reaches the stored height.
4. Memory presets can be overwritten with a new position at any time.

E UPPER LIMIT

1. Move the table to the preferred upper limit.
2. Press ▲ and ▼ together, and release ▼ within 3 seconds (before Reset is initiated).
3. Continue to hold the ▲ Button for 5 seconds

F LOWER LIMIT

1. Move the table to the preferred lower limit.
2. Press ▲ and ▼ together, and release ▲ within 3 seconds (before Reset is initiated).
3. Continue to hold the ▼ Button for 5 seconds.

G UNDO UPPER LIMIT PROGRAMMING

1. Raise table to programmed upper limit.
2. Press ▲ and ▼ together, and release ▼ within 3 seconds (before Reset is initiated).
3. Continue to hold the ▲ Button for 5 seconds.

H UNDO LOWER LIMIT PROGRAMMING

1. Lower table to programmed lower limit.
2. Press ▲ and ▼ together, and release ▲ within 3 seconds (before Reset is initiated).
3. Continue to hold the ▼ Button for 5 seconds.

I RESET

1. If a reset is required, proceed to Section A.

NOTE: The table will travel to its lowest factory setting during a reset so ensure the area under the table is clear.