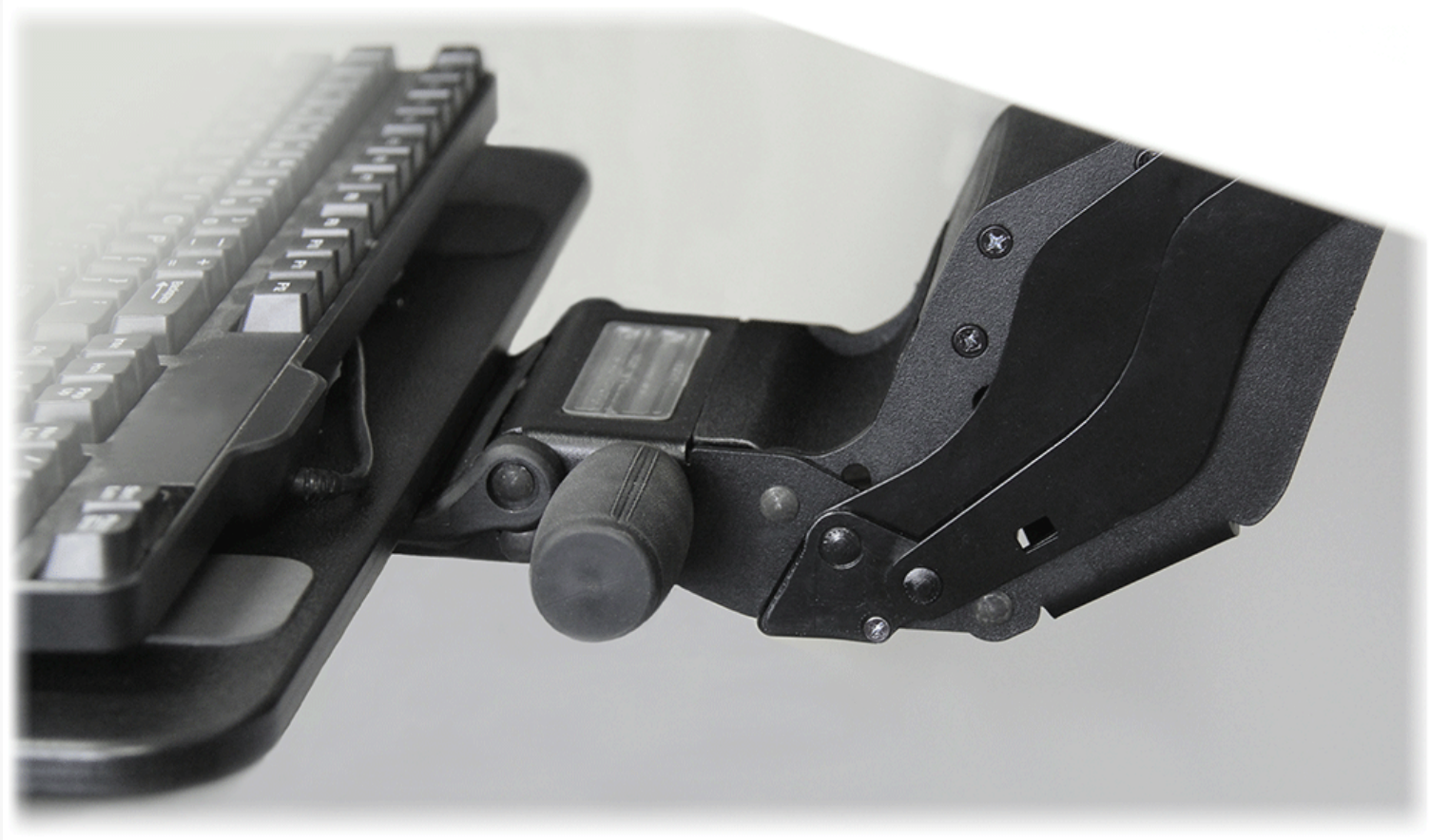


Knape & Vogt Waterloo

8482D00 Tenor™ Arm Product Overview



Tenor™ 8482D00 Trackless Keyboard Arm



Tenor™ Value Proposition

Full ergonomic keyboard support for a height adjustable table or benching system

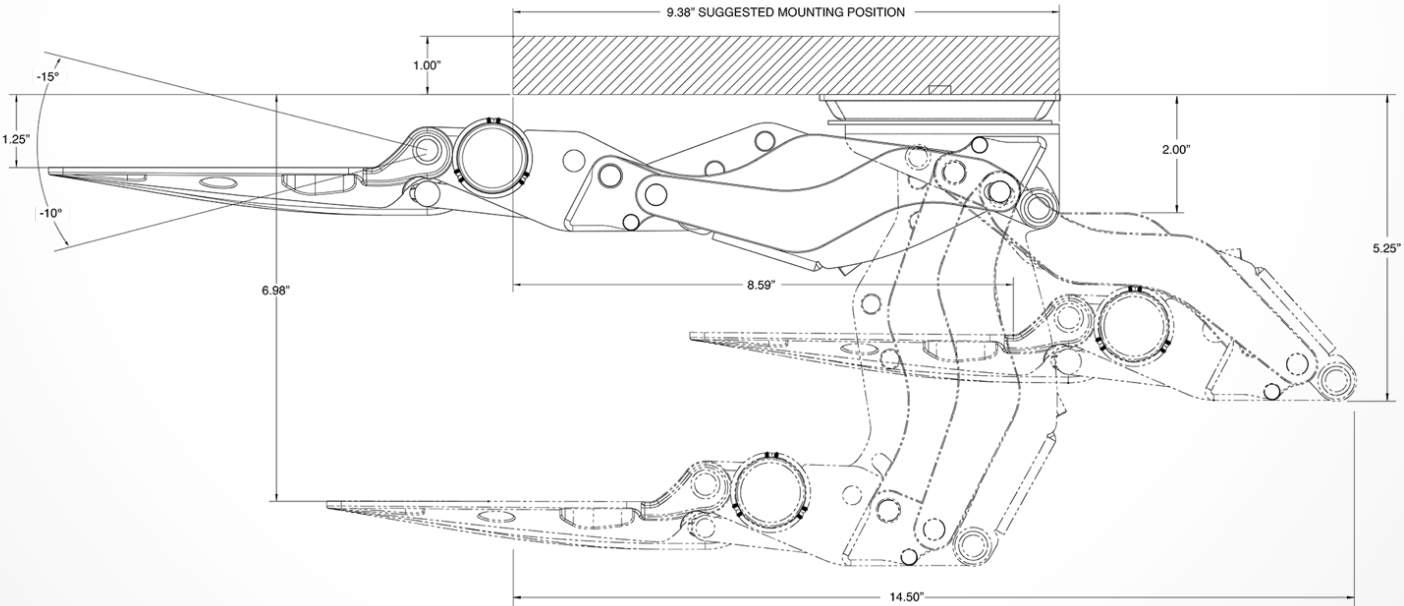
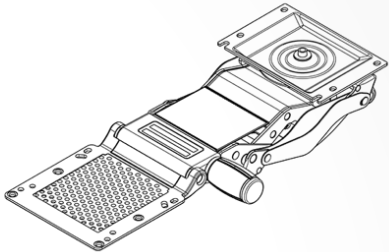
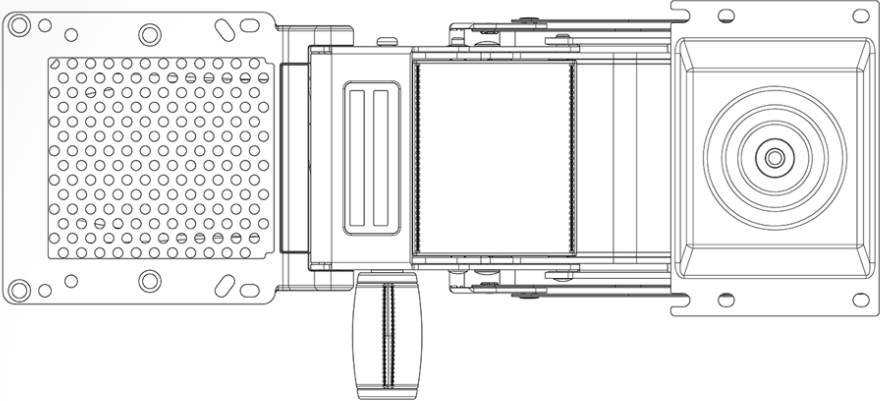
- Niche product market with leading attributes
- Revolutionary patented trackless design
- Competitive advantage over existing designs that require a minimum mounting space of 17 ¾"



Tenor™ Specifications

- Fully stores/retracts utilizing 9.4" mounting space under work surface
- Stores within 5.25" from the underside of the desk
- Infinite height range from under work surface from -1.25" to -6.98" below the desk via Lift-N-Lock™ technology (5.73" total adjustment range)
- Infinite tilt angles from +10° to -15° with Dial-Tilt
- Integral and optional tilt and height gauges
- Conforms to ANSI/HFES 100-2007 Ergonomic Standards and ANSI/BIFMA Testing Standards

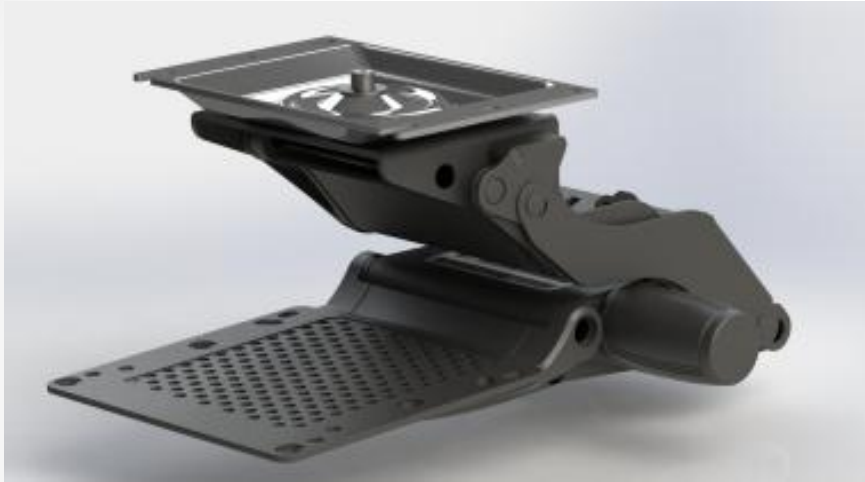
Tenor™ Layout



Tenor™ Trackless Keyboard Arm



Tenor™ Trackless Keyboard Arm



Tenor™ Trackless Keyboard Arm



Tenor™ Customizable/OEM Elements

- Color
- Shrouding
- Height and tilt gauges
- Pad-printing / labelling
- Optional Track storage available
- KV Standard tray head mount accepts custom tray designs





Thank You